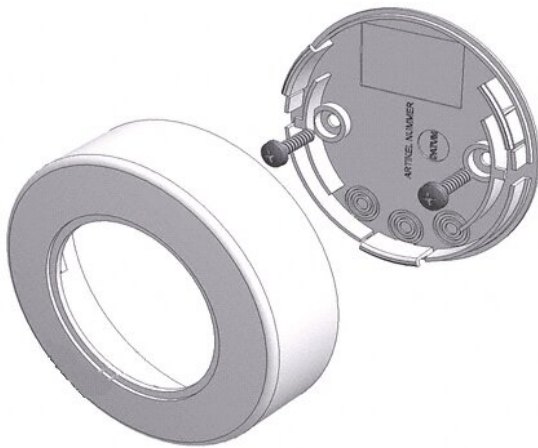


PRODUCT DATASHEET SENSOR KIT

SENSOR KIT | Mounting adapters for surface mounting of LMS sensors



Areas of application

- Adapter for surface mounted sensor elements with 50 mm diameter

Product features

- Material: plastic

TECHNICAL DATA

Dimensions & Weight

Height	25.0 mm
Diameter	80,0 mm
Product weight	26.00 g

Colors & materials

Product color	White
---------------	-------



Capabilities

Type of installation	On-top ceiling mounting
----------------------	-------------------------

Certificates & Standards

Approval marks – approval	CE
---------------------------	----

DOWNLOAD DATA

Documents and certificates	Document name
 User instruction / safety instructions	334202_Sensor KIT – mounting kit for ceiling installation
 Declarations of conformity	334067_LMS MULTI3 SENSORS

LOGISTICAL DATA

Product code	Packaging unit (Pieces/Unit)	Dimensions (length x width x height)	Gross weight	Volume
4008321916662	Folding box 1	170 mm x 30 mm x 91 mm	42.00 g	0.46 dm ³
4008321916679	Shipping box 10	190 mm x 184 mm x 164 mm	522.00 g	5.73 dm ³

The mentioned product code describes the smallest quantity unit which can be ordered. One shipping unit can contain one or more single products. When placing an order, for the quantity please enter single or multiples of a shipping unit.

DISCLAIMER

Subject to change without notice. Errors and omission excepted. Always make sure to use the most recent release.