

10086000	DATA SHEET	
Valid from: 17.09.2018	EPIC® H-B 16 TBF	

Description

- The housing standard.
- Wide choice for all applications.



General Characteristics

Series	H-B 16
Version	Cable coupler hood PG 21
Gland body	Yes
Cable entry	Straight
Locking	Double lever
Protection (DIN EN 60529)	IP 65 (latched)
Protection (NEMA 250, UL50E)	4, 12 (latched)
Temperature Range	-40°C to +100°C, short term up to +125°C

Materials and Surfaces

Housing	Aluminium alloy, powder-coated, grey
Bolt	Heat-treatable steel, zinc-plated
Lever	Steel, zinc-plated
Gland body	Brass, nickel plated
Sealing	NBR


Approvals

VDE-Approval, VDE-REG.-Nr.	B437
----------------------------	------

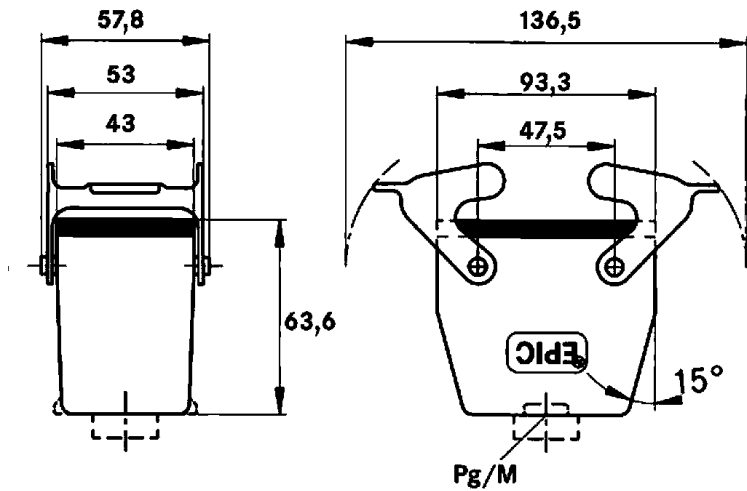
Standard

Safety Standard	IEC 61984
-----------------	-----------

Creator: MANA2/PDP Released: IVSE1/PDP	Document: DB10086000EN Version: 01	Page 1 of 2
---	---------------------------------------	-------------

10086000	DATA SHEET	
Valid from: 17.09.2018	EPIC® H-B 16 TBF	

Technical Drawings



Automation



Industrial machinery and plant engineering



Mechanical resistance



Robust



Waterproof

Info

Universal, robust metal housings size H-B 16

Application range

Plant engineering
Light & sound technology
Plastics industry

Remark

Photographs are not to scale and do not represent detailed images of the respective products.

Creator: MANA2/PDP Released: IVSE1/PDP	Document: DB10086000EN Version: 01	Page 2 of 2
---	---------------------------------------	-------------