

# WOJP06277

WOJP06277

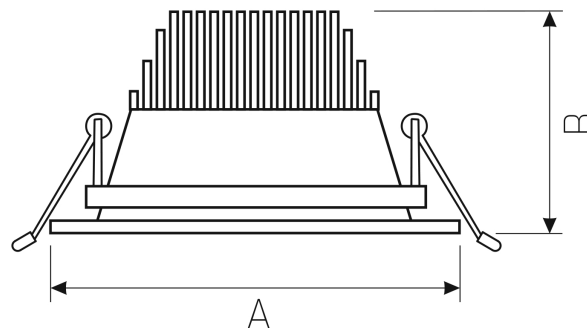


Power **27 W**  
Colour of light **CHEESE**  
Degree of protection (IP) **IP20**

Voltage **230 V**  
Beam angle **60 °**


## Technical data

Code	WQJP06277
Power	27 W
Nominal current	129 mA
Voltage	230 V
Energy consumption	27 kWh/1000h
Frequency	50HZ Hz
Protection class	II
Power supply included	+
Manufacturer of power supply	TCI
Power factor	0.93
Useful luminous flux*	2565 lm (360°)
Luminous flux**	2295 lm (360°)
Lamp efficacy	95 lm/W
Colour of light	CHEESE
Beam angle	60 °
RA	95
Light source included	+
Producer of LED diodes	CITIZEN
Uniformity of color SDCM max	3
Dimmable	OPC
Working temperature range	-20/+40 °
Lifespan	50000 h
Housing material	Aluminum
Degree of protection (IP)	IP20
Colour	Black
Dimension (AxBxC)	193x130 mm
Mounting hole	Ø160 mm
For use	Inside
Assembly method	Recessed
Application	Inside
Made in	PL



## Related documents



 Declaration of Conformity



 Photometric file