

FK MV 8.10 KBF0.7 10 V2A (365 229)

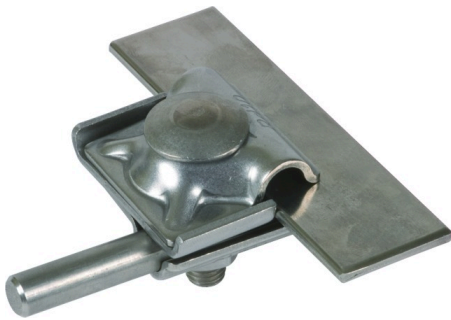
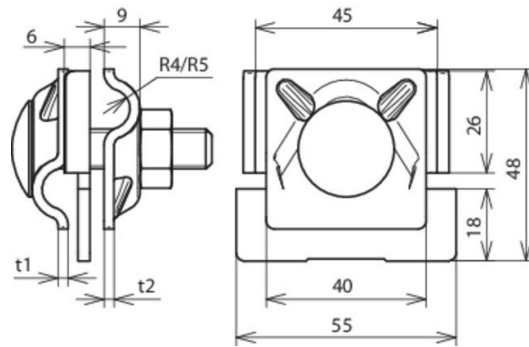


Figure without obligation



Arrangement:

| Type | FK MV 8.10 KBF0.7 10 V2A |
|---|--------------------------|
| Part No. | 365 229 ✓ |
| Clamping range of seam | 0.7-10 mm |
| Material of clamp | StSt |
| Clamping range Rd | 8-10 mm |
| Screw | ⬆ M10 x 45 mm |
| Material of screw / nut | StSt |
| Material thickness | 2.5 / 2.5 mm |
| Lightning current carrying capability (10/350 µs) | 100 kA *) |
| Standard | EN 62561-1 |
| Weight | 161 g |
| Customs tariff number | 85389099 |
| GTIN | 4013364096110 |
| PU | 50 Stk |

*) For exact assignment see test certificate.

We reserve the right to introduce changes in performance, configuration and technology, dimensions, weights and materials in the course of technical progress. The figures are shown without obligation.