
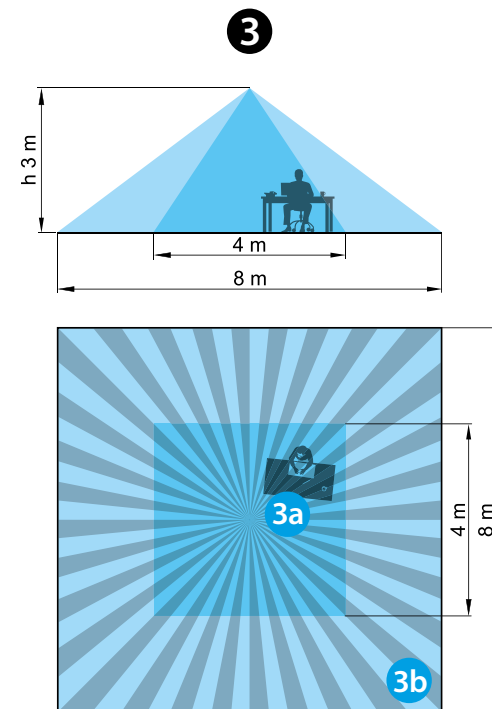
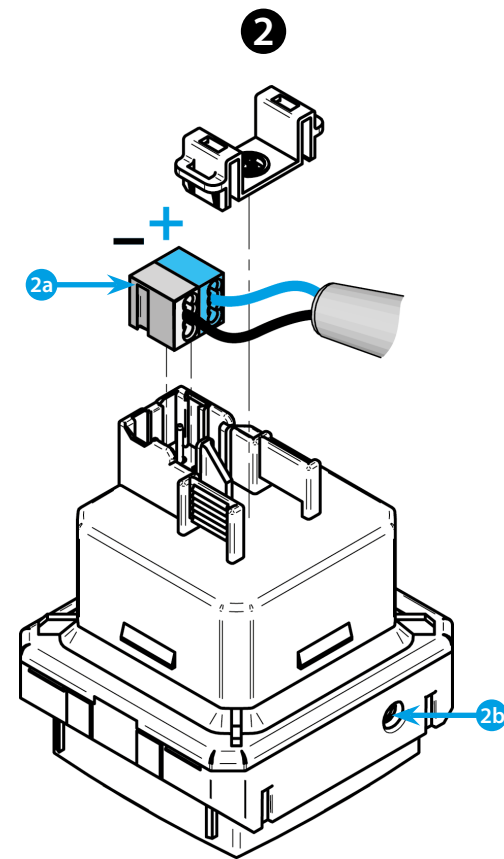
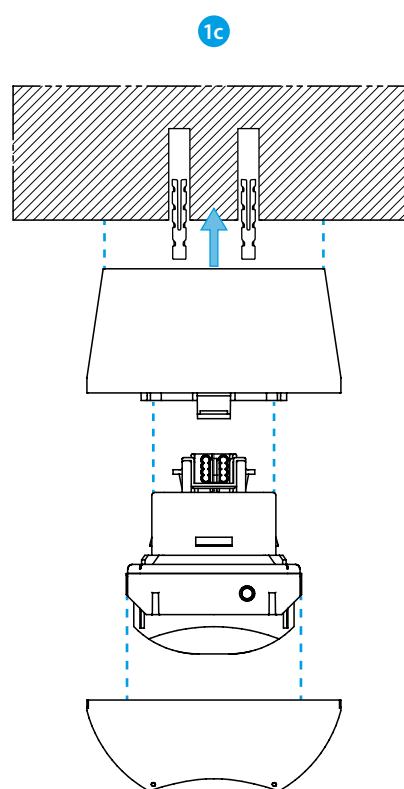
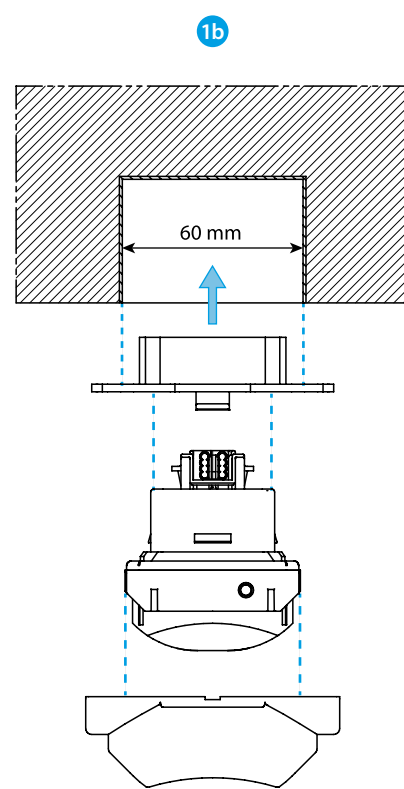
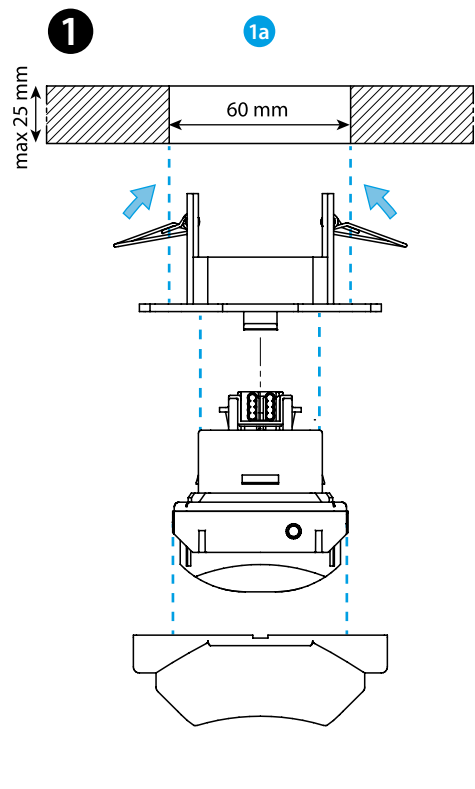




18.5K PRO

18.5K.9.030.0001	
IN	BUS KNX 29 V DC (21...32 V DC) SELV
	(-5...+45)°C
IP40	



## ENGLISH

18.5K.9.030.0001  
**PIR MOVEMENT AND PRESENCE DETECTOR KNX BUS**  
 Dynamic light regulation  
 Logic gates  
 Up to 5 outputs

### 1 INSTALLATION

- 1a Suspended ceiling mounting
- 1b Recess mounting
- 1c Surface mounting

### 2 WIRING DIAGRAM

- 2a KNX BUS supply
- 2b KNX programming button

### 3 SENSING AREA

- Two detection zones (at 3 m height):
- 3a Presence (micro-movements): (4x4)m
  - 3b Movement: (8x8)m

### NOTE

- The product shall not be used for safety functions
- Environmental class according to EN 50491-2: Weather protected in uncontrolled conditions, temperature -25...+55 °C
- Verify the correct address of the device and the setting parameters via ETS software
- EN 60669-1 / EN 60669-2-1 / EN 50491
- IP40