

6220 0473	DATA SHEET
Valid from: 25.05.2018	Cable Trolley I-Beam

The Cable Trolley System is designed for I-Beam and is available as flat- and round cable system
The fastening components are suitable for both systems.

Material:

Metal Parts	Steel, galvanized
Clamps	Polyamide 6

Technical features

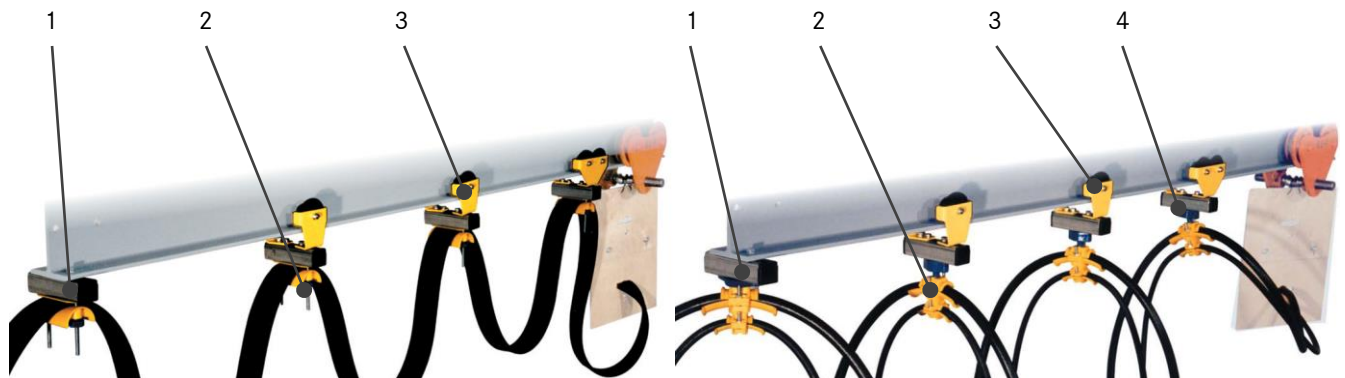
Temperature range	-40°C up to +120°C
Max. Load	20kg / Cable Trolley

Additional product data:

ETIM 5.0 Class-ID: EC002935
ETIM 5.0 Class-Description: Accessories for Cable Trolley Systems


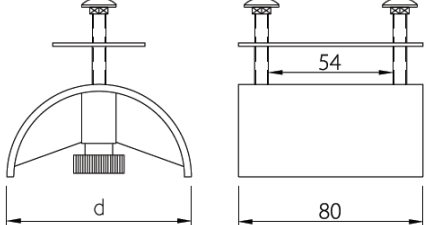

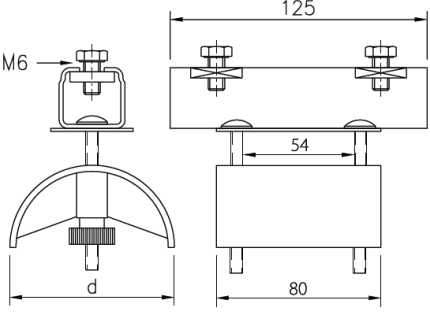

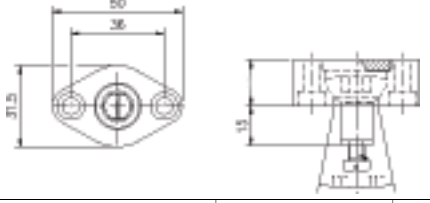

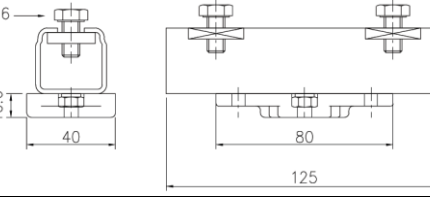

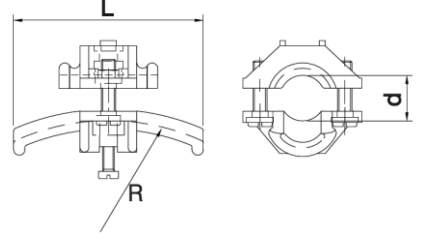
Notes:

- The bending radius corresponds to a permanent installation.


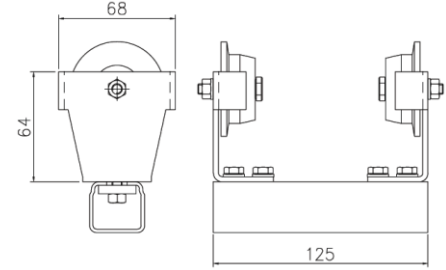

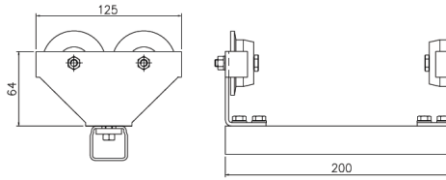


- 1. End clamp
- 2. Cable clamp
- 3. Cable Trolley
- 4. Ball joint

6220 0473	DATA SHEET
Valid from: 25.05.2018	Cable Trolley I-Beam

Description	Max. Cable measure mm	Measures mm	Weight kg	Image	Drawing
Cable Clamp Flat Cable					
Cable clamp flat I-Beam Part No. 62200473	15 x 54	d = 50	0,10		
Cable clamp flat I-Beam b Part No. 62200474	15 x 54	d = 80	0,12		
End clamp with bar I-Beam Part No. 62200490	15 x 54	d = 50	0,20		
End clamp with bar I-Beam b Part No. 62200491	15 x 54	d = 80	0,22		
Cable Clamp Round Cable					
Ball joint Part No. 62004503			0,04		
End clamp I-Beam Part No. 62200451		L = 125	0,15		
Cable clamp round 10-16mm Part No. 62200437	10 - 16	R = 80 L = 70	0,04		
Cable clamp round 17-25mm Part No. 62200438	17 - 25	R = 125 L = 100	0,06		
Cable clamp round 26-36mm Part No. 62200439	26 - 36	R = 160 L = 140	0,12		

6220 0473	DATA SHEET
Valid from: 25.05.2018	Cable Trolley I-Beam

Description	Max. Cable measure mm	Measures mm	Weight kg	Image	Drawing
Cable Trolley Round- and Flat Cable					
Trolley with 2 wheels I-Beam Part No. 62200452		L = 125	0,50		
Trolley with 4 wheels I-Beam Part No. 62200472		L = 200	0,70		

Footnote:

The images are no scaled and detailed images from the products.