

ANTARA

WOJP00728

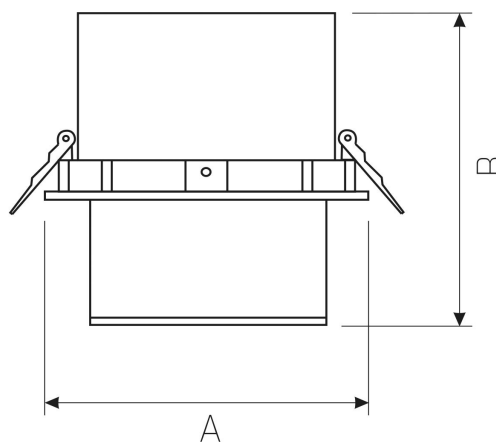
LED luminaire ANTARA, with a power of 19 W, high light efficacy 150 lm/W. It is made of high-quality components, supported by a 5-year warranty. Lights up with neutral light - the most universal colour (4000K), which is suitable for the rooms we use on a daily basis, ensuring comfort during everyday activities. Narrow beam angle 40° gives directional light so that selected objects or surfaces can be better exposed. Designed for recessed mounting.



Power	19 W	Voltage	230 V
Colour temperature	4000 K	Colour of light	Neutral white
Beam angle	40 °	Degree of protection (IP)	IP20


Technical data

Code	WQJP00728
Power	19 W
Nominal current	90.9 mA
Voltage	230 V
Energy consumption	19 kWh/1000h
Frequency	50HZ Hz
Protection class	II
Power supply included	+
Manufacturer of power supply	TCl
Power factor	0.93
Useful luminous flux*	2850 lm (360°)
Luminous flux**	1900 lm (360°)
Lamp efficacy	150 lm/W
Colour temperature	4000 K
Colour of light	Neutral white
Beam angle	40 °
RA	80
Light source included	+
Producer of LED diodes	CREE
Uniformity of color SDCM max	3
Dimmable	OPC
Working temperature range	-20/+40 °
Lifespan	50000 h
Housing material	Aluminum
Degree of protection (IP)	IP20
Colour	White
Dimension (AxBxC)	205x140 mm
Mounting hole	Ø185 mm
For use	Inside
Assembly method	Recessed
Application	Inside
Made in	PL




Related documents



 Declaration of Conformity



 Photometric file