

53611001	DATA SHEET	
Valid from: 08.11.2021	SKINTOP® DIX-M AUTOMATION	

SKINTOP® DIX-M AUTOMATION is a sealing insert, made of NBR, with one or more holes with an side slit.
The DIX-M is for pre-assembled cables, and is special for a simple mounting and a great sealing.

Material:

NBR

Technical features:

Size

M25 up to M40

Protection rating DIX-M SLOTTED

IP66 acc. to DIN 60529

IP68 – 5 bar / 30min acc. to DIN 60529

Protection rating DIX-M ASI

IP54 acc. to EN 60529

Temperature range

-40°C up to +100°C

Color:

Black

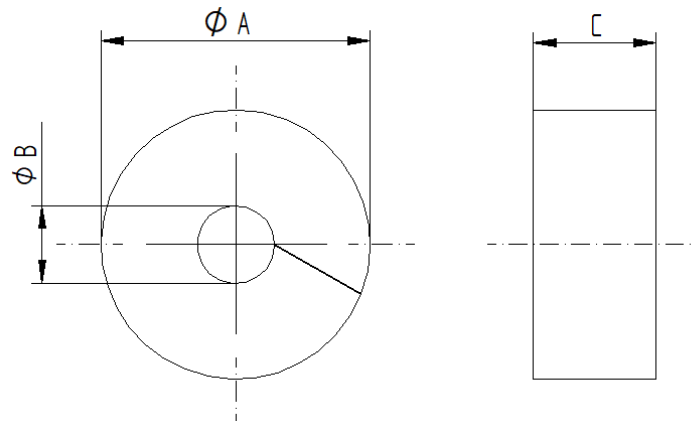
Suitable gland:

SKINTOP® ST-M
SKINTOP® MS-M
SKINTOP® CLICK



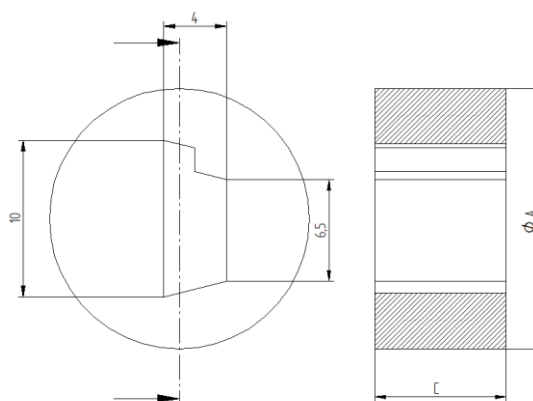
Creator: MAU1 /PDP Released: DAMU1/PDP	Document: DB53611001EN Version: 05	Page 1 of 2
---	---------------------------------------	-------------

SKINTOP® DIX-M SLITTED



Size	Ø A mm	Clamping range Ø B mm	Number of holes	C mm	Part No.
M25	20,8	5,4	1	9,5	5344 0980
M25	20,8	3 - 7	1	9,5	5344 0982
M25	20,8	4 - 9	1	9,5	5344 0983
M32	25,6	4,5 - 6,5	1	12,0	5344 0970
M32	25,6	5 - 8,5	1	12,0	5361 1006
M32	25,6	6 - 11	1	12,0	5361 1005
M32	25,6	6 - 8	3	12,0	5361 1007
M40	33,8	7 - 10	3	14,5	5331 0444
M40	33,8	6,5 - 9	4	14,5	5361 1008

SKINTOP® DIX-M ASI



Size	Ø A	C	Number of ASI holes	Part No.
M20	16,6	8,4	1x	53611001
M25	20,8	8,4	2x	53611004

Weitere Angaben entnehmen Sie bitte unserem aktuellen Katalog.

Bei Beständigkeitsfragen über aggressive Medien oder bestimmte Öle kann unser Labor Sie gerne beraten.