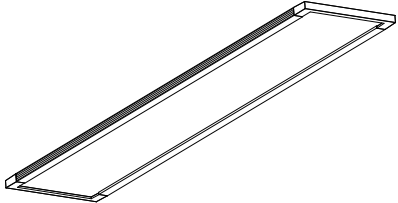
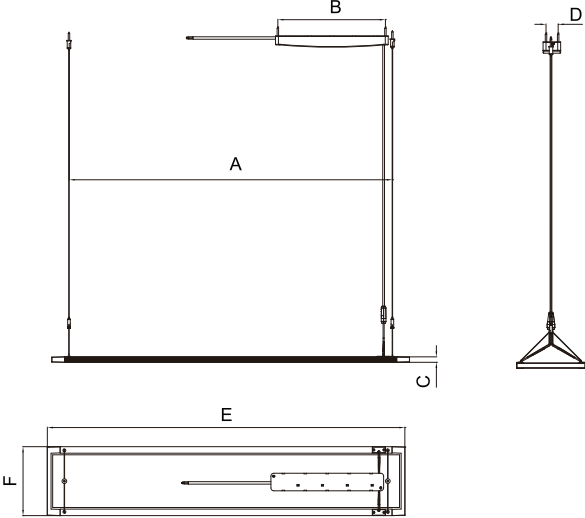


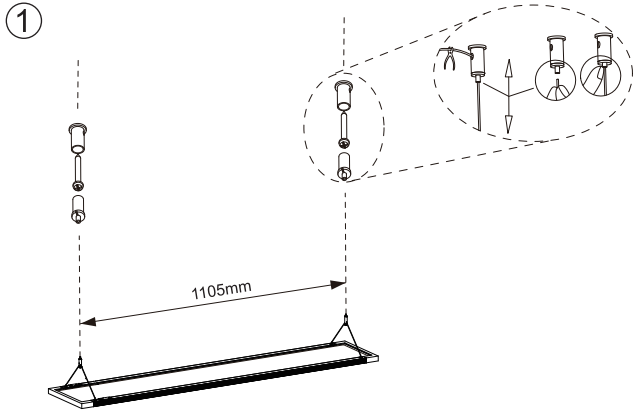
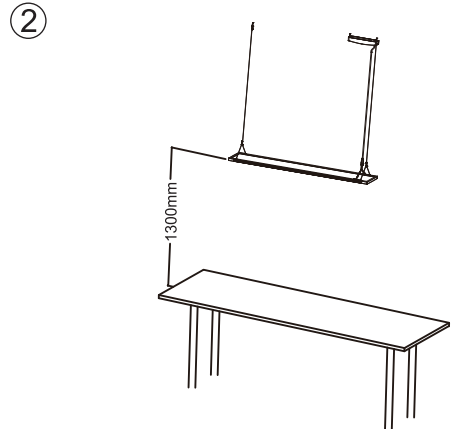
LEDPanel Zenith BLE2

Item Code	Luminaire Description	kg
542004091700	LEDPanelSp-Z L1222-80W-BLE2-3000-AL	4.0kg
542004091800	LEDPanelSp-Z L1222-80W-BLE2-4000-AL	4.0kg

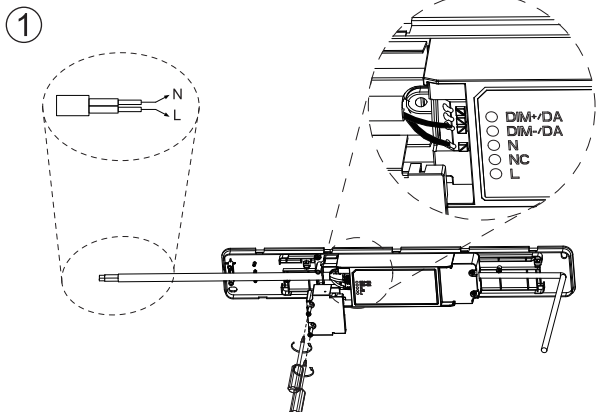
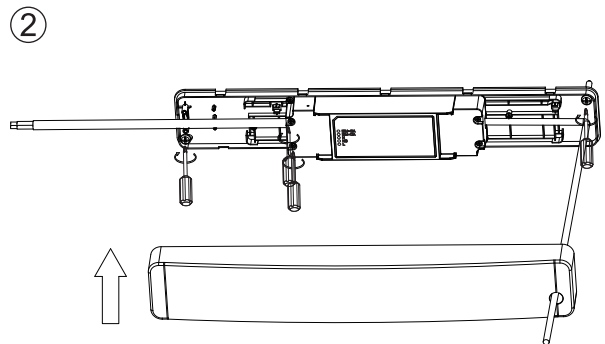



Type	A(mm)	B(mm)	C(mm)	D(mm)	E(mm)	F(mm)
LED PL-SP-Z L1222-80W BLE	1105	180	18.7	41.5	1221.5	235.5

Ceiling Mounting

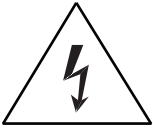
Connection

In case of damage to the wire, it has to be replaced only by the manufacturer, distributor or by an expert, to avoid risks.



Caution: Any operation on LED module is forbidden while power-on.
Zur Vermeidung von Risiken müssen defekte Leitungen ausschließlich vom Hersteller, Inverkehrbringer oder Fachmann ausgetauscht werden.
Achtung: In Betrieb ist keine Arbeit am LED-Modul erlaubt.



The light source of this luminaire is not replaceable; when the light source reaches its end of life the whole luminaire shall be replaced.

Bluetooth Operating frequency: 2402-2480 MHz
Bluetooth Max Transmission Power: <20dBm

