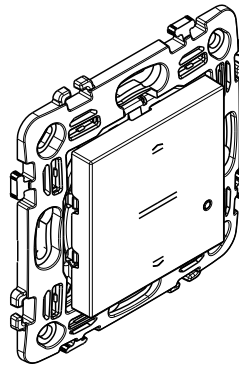


Classia  
**Rolling shutter wireless switch**

RW4027CW - RA4027CW - RG4027CW



**Use**

Allows the control of one or more connected rolling shutter switches. Surface installation with repositionable stickers (supplied) or onto a flush mounting box. Integrated LED for low battery indication. - 2 modules.

**Standards and approvals**

The undersigned, BTICINO, declares that the radio-electric equipment type (RW-RA-RG4027CW) complies with directive 2014/53/EU. The full text of the EU declaration of conformity is available on the following website: [www.bticino.it/red](http://www.bticino.it/red)

**Range**

Designation	Cat. Nos.
Connected wireless control for roller shutters. Supplied complete with battery. Equipped with an LED indicator (configuration) and a RESET button (hidden) used to return to factory settings. Repositionable self-adhesive fixings supplied	<input type="checkbox"/> RW4027CW <input type="checkbox"/> RA4027CW <input type="checkbox"/> RG4027CW

- Colours code:
- White
  - Aluminum
  - Black

**Technical characteristics**

**- Mechanical characteristics**

Protection against impacts: IK 02  
 Protection against solid bodies/liquids: IP 20 without plate and rocker plate

**- Material characteristics**

Mechanism with grid: Fibreglass-reinforced (10%) PC  
 Mechanism functional cover: PC/ABS  
 Supporting base: fibreglass-reinforced PA (60%).

Halogen-free  
 UV resistant

Self-extinguishing: 650°C/30 s

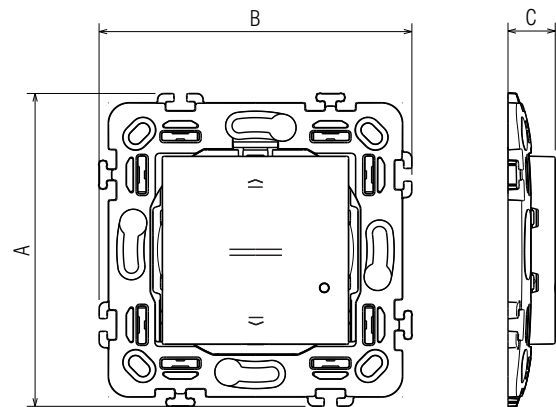
**- Electrical characteristics**

Powered by a CR2032 - 3 V lithium battery (supplied)  
 Battery life: 8 years for 10 activations a day  
**ZigBee radio technology** frequency: 2.4 GHz to 2.4835 GHz  
 Power level: REC 70-03: < 20 dBm  
 Wireless mesh network, self-adaptive and secure (AES 128), conforming to standard IEEE 802.15.4 (LR-WPAN)

**- Climate characteristics**

Usage temperature: +5°C to +45°C  
 Storage temperature: 0°C to +45°C

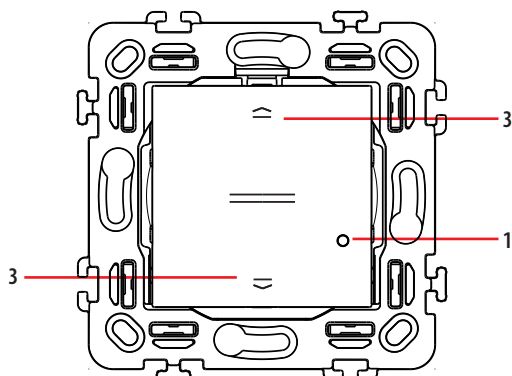
**Overall dimensions (mm)**



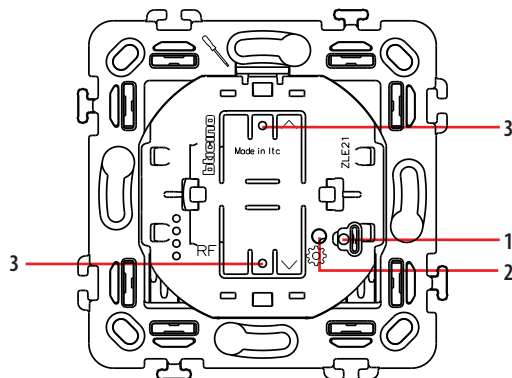
A	B	C
75	75	11,3

### Operation

Front view



Front view without coverkey



### Legend

1. LED indicator: useful during installation
2. RESET button used to return to factory settings
3. Control pushbutton

### Cleaning

Clean the surface with a cloth.

Do not use acetone, tar-removing cleaning agents or trichloroethylene.

**Caution: Always test before using special cleaning products.**

The plates must not be painted.



Take care to recycle the battery appropriately.

RAEE/WEEE: [bticino.com/disposal](http://bticino.com/disposal)