

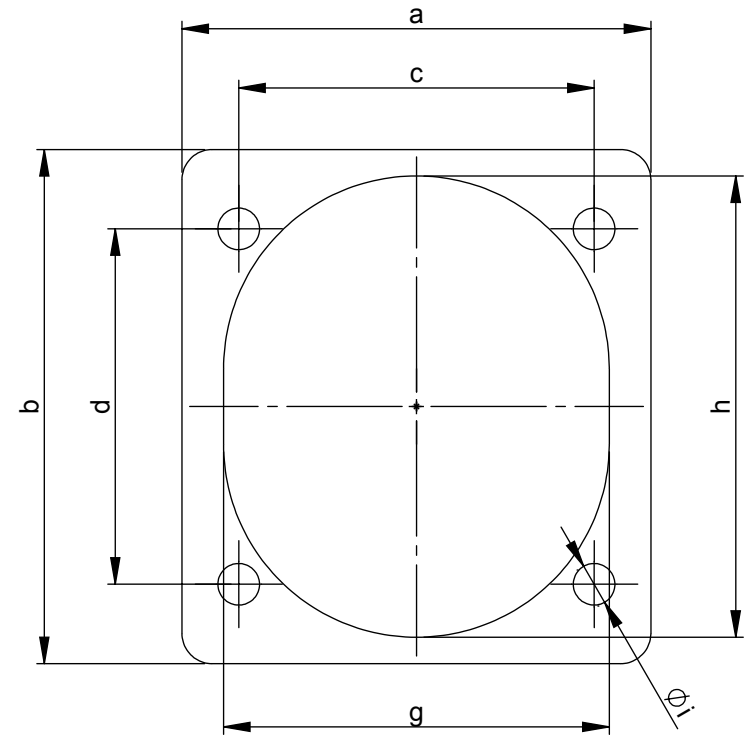
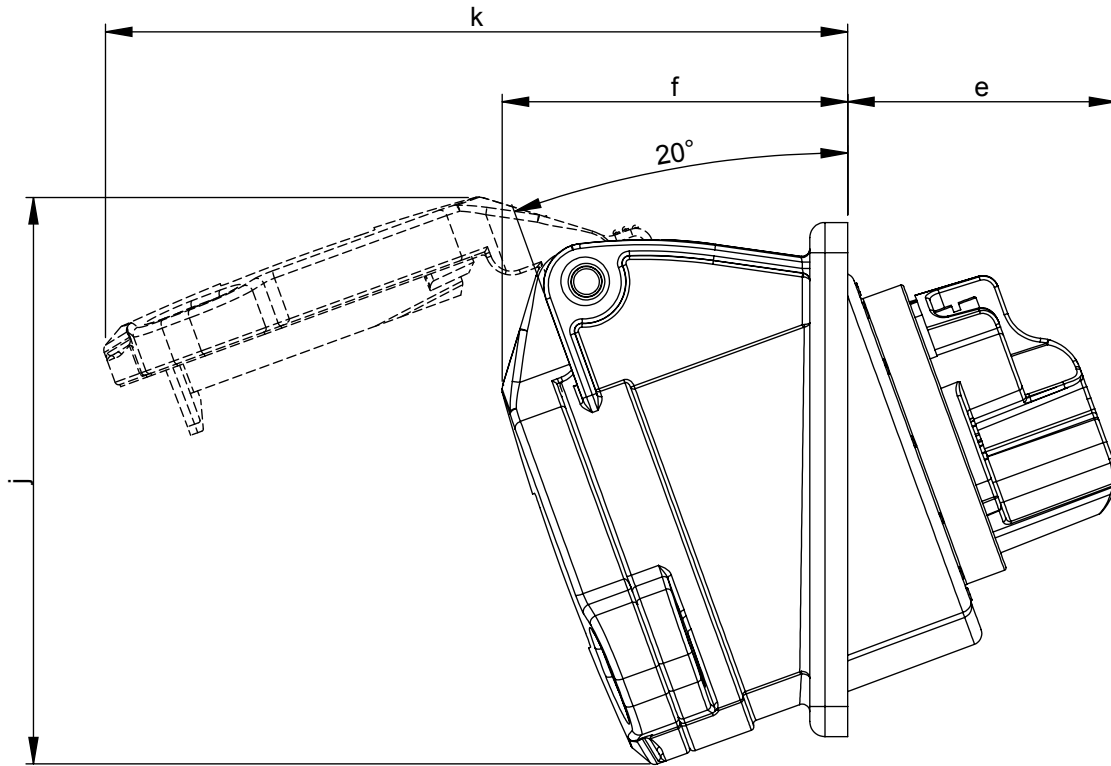
Maßskizze / dimensional drawing

Benennung: Anbausteckdose schräg IP44/54 62x68 absperrrbar

description: Flanged socket sloping IP44/54 62x68 lockable

Teilenummer / part number: 413-*f66

PCE



Ampere	16		
Pole	3	4	5
a [mm]	62	-	-
b [mm]	68	-	-
c x d [mm]	47	-	-
e [mm]	38	-	-
f [mm]	46	-	-
g [mm]	51	-	-
h [mm]	61	-	-
i [mm]	5,5	-	-
j [mm]	77	-	-
k [mm]	99	-	-