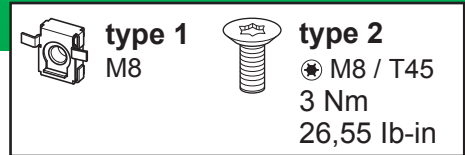
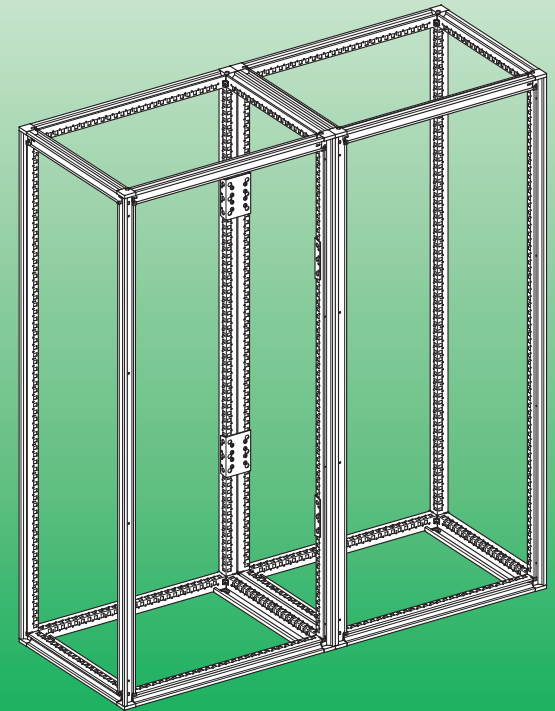
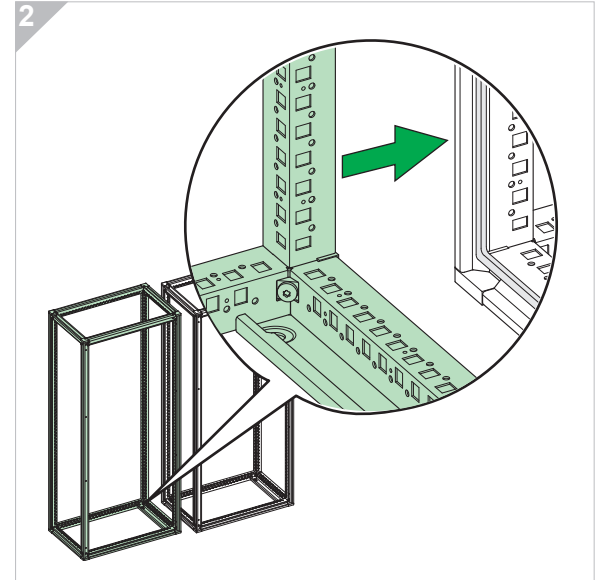
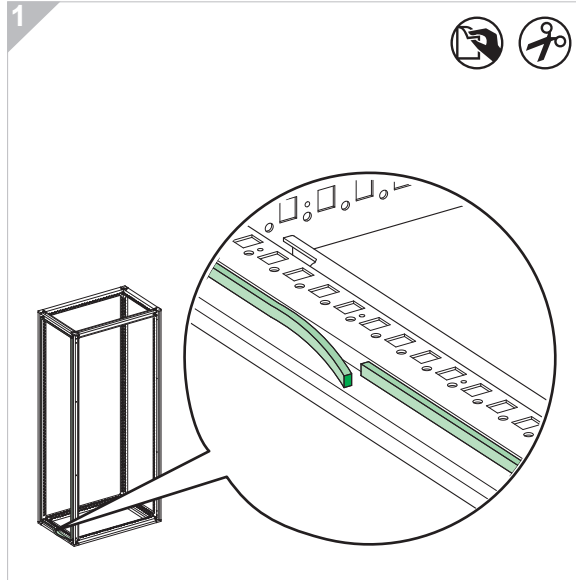
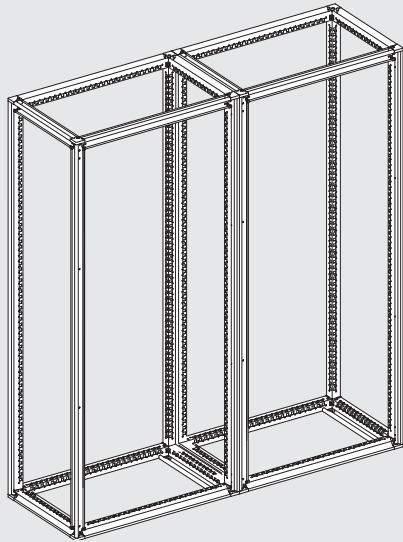


Reinforced Coupling
Assemblage Renforcé
Unión Reforzada



A



B

