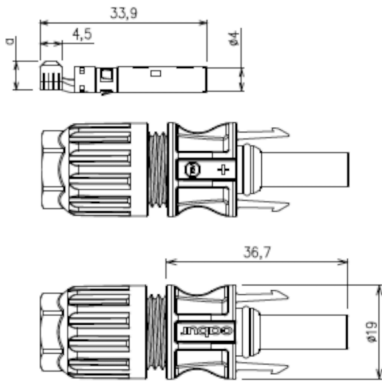
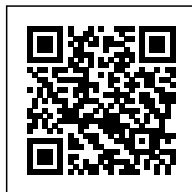


Cabur Solar connector splicing female 4-6mm²



Code	IS24241N
Type	KX04VF4060N
HS code	85366990
TECHNICAL FEATURES	
Application	Cable type
Connector type	Female
Max. applicable voltage	1500 Vdc
Max. applicable current	45 (A) – 4mm ² / 55 (A) – 6mm ²
Cable section	4-6 (mm ²)
PIN diameter	4 (mm)
Pliers to use	
Movable matrix	UMCT3149
Fixed matrix	IS3161N
Matrix to use	IS3154
PIN material	Tinned Copper
Insulation material	PPE / PA
Contact resistance Rc	< 0.25 (mΩ)
Nut Cap locking force	1.5 – 1.8 (Nm)
Operating temperature range	-40...+85 (°C)
Protection degree	IP68 (1m, 1h)
Flame class	UL94-V0
Packaging	100 (10 bag for every box, every single bag contains 10 plastic shell and 10 metallic PIN.)
ACCESSORIES	
Open-end spanner and unlocking tool	
cod. unlocking tool	IS4SBLOCKN
Quantity / Package	2 pieces
Caps	
Male	IS52400N
Female	IS51400N
Operating temperature range	-40...+85
Protection degree	IP67
Flame class	UL94-V0
Quantity / Package	50 pieces
SPARE COMPONENTS	
Plastic shell	
Cod. Shell	ISVOL4FN
Quantity / Package	1000 pieces
Metallic PIN wound on reel	
Cod. pin	IS0601209N
Quantity / Package	2000 pieces
APPROVALS AND MARKINGS	



1 (1) IS14240N replace the code IS14240.2 (2) IS24241N replace the code IS24241.

DESCRIZIONE DEL PRODOTTO

KX04VF4060N
Cabur Solar connector splicing female 4-6mm²