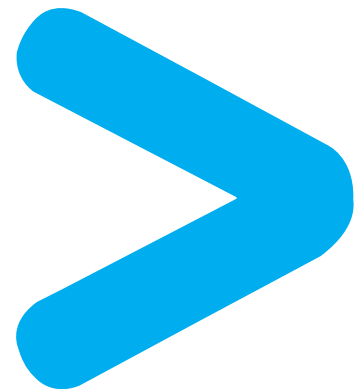
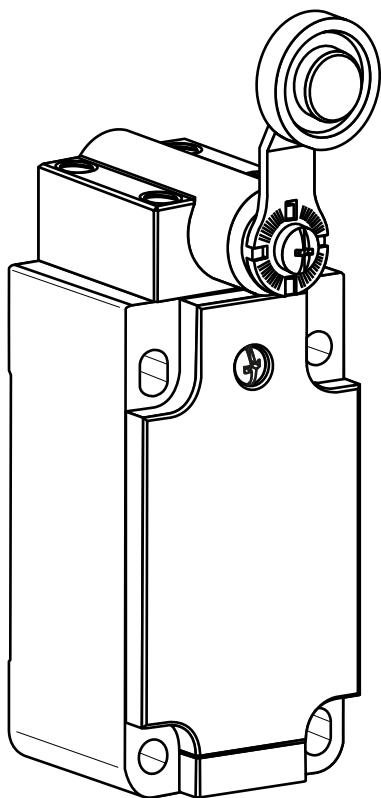


Product End-of-Life Instructions

Plastic Limit Switch



Product End-of-Life Instructions – EoLI

Product overview

Product Range: Plastic Limit Switch

Marketing Model/Name: XCKS Plastic Limit Switches

Size: H x L x D in mm = **130 x 40 x 65**

Weight in g = 157 for XCKS131

Purpose

The product family must be disposed according to the legislation of the country. This document is intended for use by end of life recyclers or treatment facilities. It provides the basic information to assure an appropriate end of life treatment for the components and materials of the product.

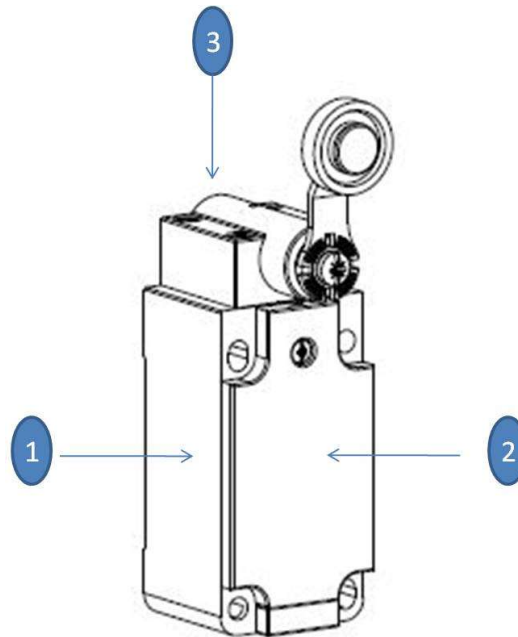
Operations recommended for the end of life treatment

There are several steps to process the products at the end of life so as to recover components, materials or energy :

Reuse → Separation for special treatment → Other dismantling → Shredding

Product End-of-Life Instructions – EoLI

The components of the products that optimize the recycling performances are listed, identified and located hereunder.



Recommendation	Number on drawing	Components	Weight (in g)	Comment
Special treatment	1	Body	64	The respective weights of the body and cover depend on the considered commercial reference
Special treatment	2	Cover	16	
Special treatment	3	Head	17	

For more information please contact us at: global-green-sensors@schneider-electric.com.

EoLI achieved with Schneider-Electric TT03 V5 procedure

Schneider Electric Industries SAS

35, rue Joseph Monier
 CS 30323
 F- 92506 Rueil Malmaison Cedex
 RCS Nanterre 954 503 439
 Capital social 896 313 776 €

www.schneider-electric.com