

ASSA D6 L1000 6.10 CU V2A (365 509)

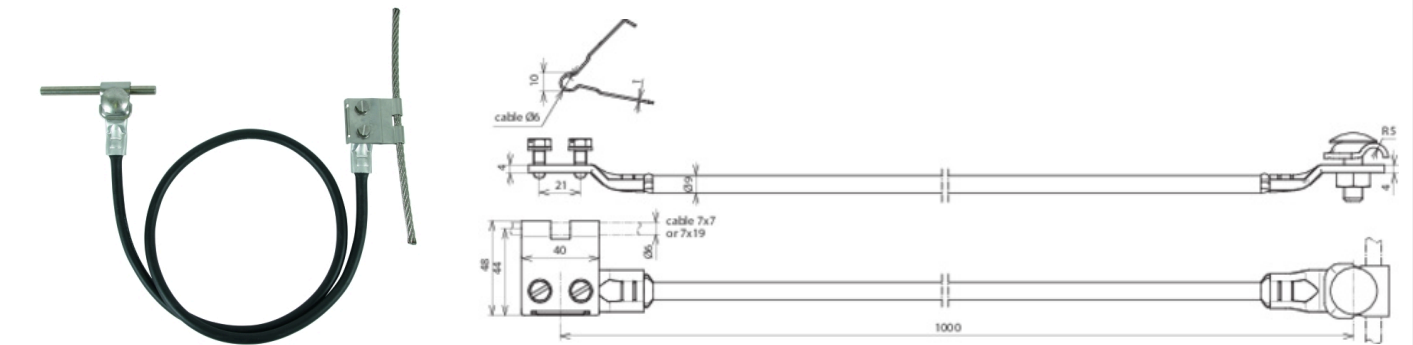


Figure without obligation

Type	ASSA D6 L1000 6.10 CU V2A
Part No.	365 509
Clamping range of connection lug	Ø6 mm
Rope structure	7 x 7 / 7 x 19 mm
Material of connection lug	StSt
Clamping piece support Rd	6-10 mm
Material of clamping piece	StSt
Length	1000 mm
Material of rope	Cu
Cross-section	16 mm ²
Temperature range	-40 °C ... +80 °C
Type of cable	flexible
Insulation	rubber EM5 black
Weight	335 g
Customs tariff number	85389099
GTIN	4013364141773
PU	1 Stk

We reserve the right to introduce changes in performance, configuration and technology, dimensions, weights and materials in the course of technical progress. The figures are shown without obligation.