



# CorePro Glass LED bulbs



## CorePro LEDBulbND4.5-40W E27 A60 827FR G

Featuring a classic heritage design, these filament LED lamps combine the familiar shapes of classic incandescent bulbs with the benefits of long-lasting LED technology. A very easy choice for people who are looking for a retrofit LED replacement, these CorePro LED bulbs provide 90% energy savings compared with conventional lamps. CorePro Glass LED bulbs provide excellent quality of light in a vintage style. CorePro LED lighting that offers a lifetime of 15,000 hours to reduce maintenance costs.

### Product data

General Information		Photobiological safety according to EN 62471	
Cap-Base	E27	RG1	
Nominal lifetime	15,000 hour(s)	Operating and Electrical	
Switching Cycle	30,000	Line Frequency	50 to 60 Hz
Lighting Technology	LED	Input Frequency	50 to 60 Hz
Flux measurement reference	Sphere	Power Consumption	4.5 W
Light Technical		Lamp Current (Nom)	40 mA
Color Code	827 [CCT of 2700K]	Wattage Equivalent	40 W
Beam Angle (Nom)	300 degree(s)	Starting Time (Nom)	0.5 s
Luminous Flux	470 lm	Warm-up time to 60% light	0.5 s
Color Designation	Warm White (WW)	Power Factor (Fraction)	0.51
Correlated Color Temperature (Nom)	2700 K	Voltage (Nom)	220-240 V
Luminous Efficacy (rated) (Nom)	104.00 lm/W	Temperature	
Color Consistency	<6	T-Case Maximum (Nom)	50 °C
Color rendering index (CRI)	80		
LLMF At End Of Nominal Lifetime (Nom)	70 %		

# CorePro Glass LED bulbs

## Controls and Dimming

Dimmable	No
----------	----

## Mechanical and Housing

Bulb Finish	Frosted
Bulb Shape	A60
Net Weight (Piece)	0.030 kg

## Approval and Application

Energy Efficiency Class	F
Energy Consumption kWh/1000 h	5 kWh
EPREL Registration Number	387365
CE mark	Yes
EU RoHS compliant	Yes
EyeComfort	Yes
Flickering value (PstLM) - Flickering value as per EN 61000-3-3	1
Stroboscopic effect visibility measure (SVM)	0.4

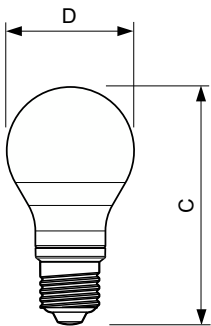
## Application Conditions

can it be used in closed luminaires	No
-------------------------------------	----

## Product Data

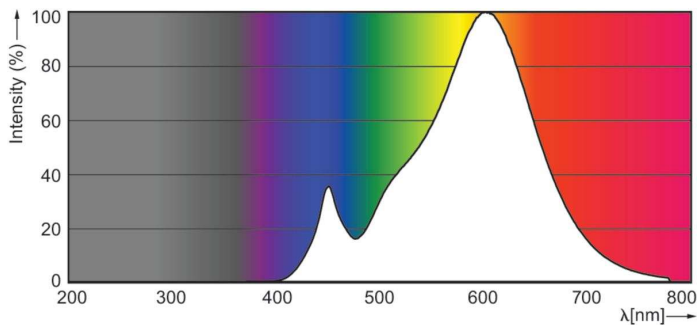
Order product name	CorePro LEDBulbND4.5-40W E27 A60 827FR G
Full product name	CorePro LEDBulbND4.5-40W E27 A60 827FR G
Full product code	871951436130000
Order code	929001242992
Material Nr. (12NC)	929001242992
Numerator - Quantity Per Pack	1
EAN/UPC - Product/Case	8719514361300
Numerator - Packs per outer box	10
EAN/UPC - Case	8719514361317

## Dimensional drawing

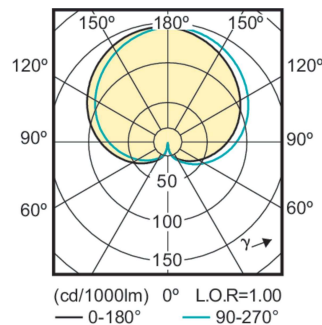


Product	D	C
CorePro LEDBulbND4.5-40W E27 A60 827FR G	60 mm	110 mm

## Photometric data



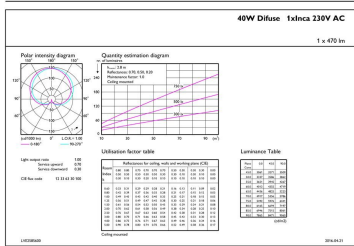
Spectral Power Distribution Colour - CorePro LEDBulbND4.5-40W E27 A60 827FR G



Light Distribution Diagram - CorePro LEDBulbND4.5-40W E27 A60 827FR G

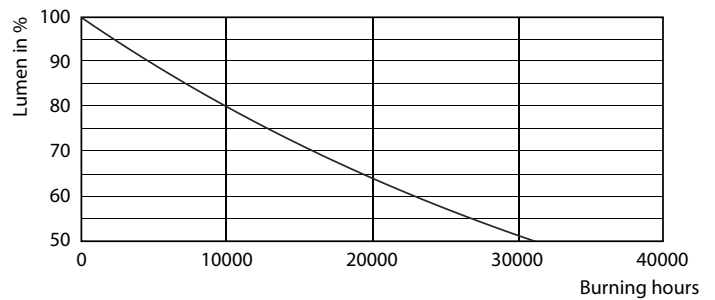
# CorePro Glass LED bulbs

## Photometric data



### General uniform lighting - CorePro LEDBulbND4.5-40W E27 A60 827FR G

## Lifetime



### Life Expectancy Diagram

### Lumen Maintenance Diagram - CorePro LEDBulbND4.5-40W E27 A60 827FR G

