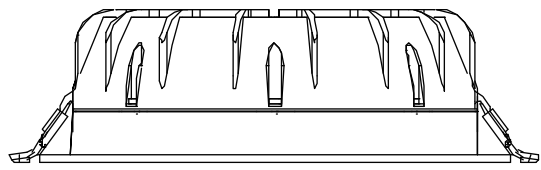
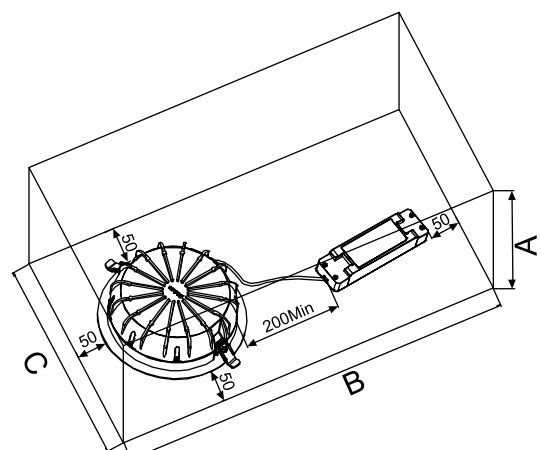


## LED Downlight Performer

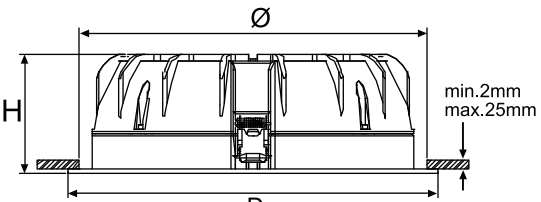
Version date 09-30-2018  
www.opple.com

Item Code	CCT	kg
540001031500	3000K	0.812kg
540001031600	4000K	0.812kg
540001031700	3000K	0.812kg
540001031800	4000K	0.812kg

Type	A(mm)	B(mm)	C(mm)
LED DL-RC-P-HG R200 44W	123	543	325
LED DL-RC-P-MW R200 44W	123	543	325

Type	Rated Voltage	Frequency	Rated Power
LED DL-RC-P-HG R200 44W	220-240V~	50/60Hz	44W
LED DL-RC-P-MW R200 44W	220-240V~	50/60Hz	44W



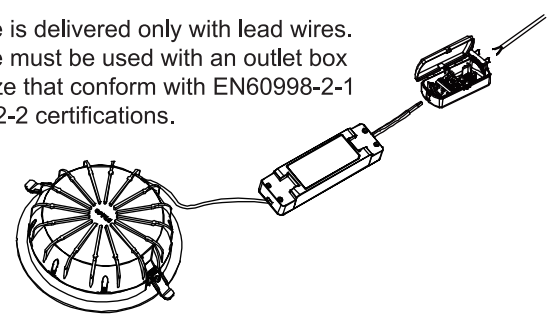
Type	H(mm)	Ø(mm)	D(mm)
LED DL-RC-P-HG R200 44W	73	200	225
LED DL-RC-P-MW R200 44W	73	200	225

①

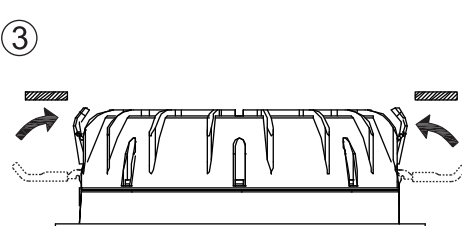


Type	Ø(mm)
LED DL-RC-P-HG R200 44W	200
LED DL-RC-P-MW R200 44W	200

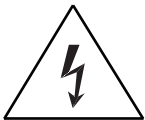
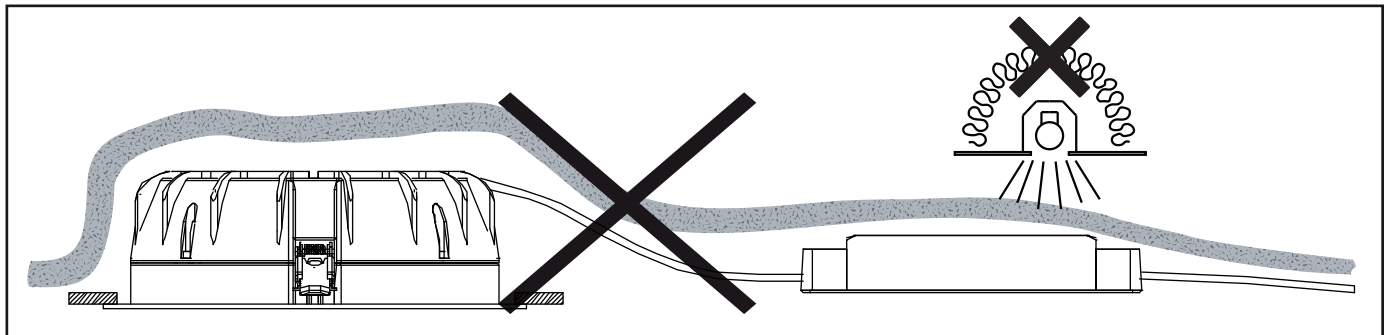
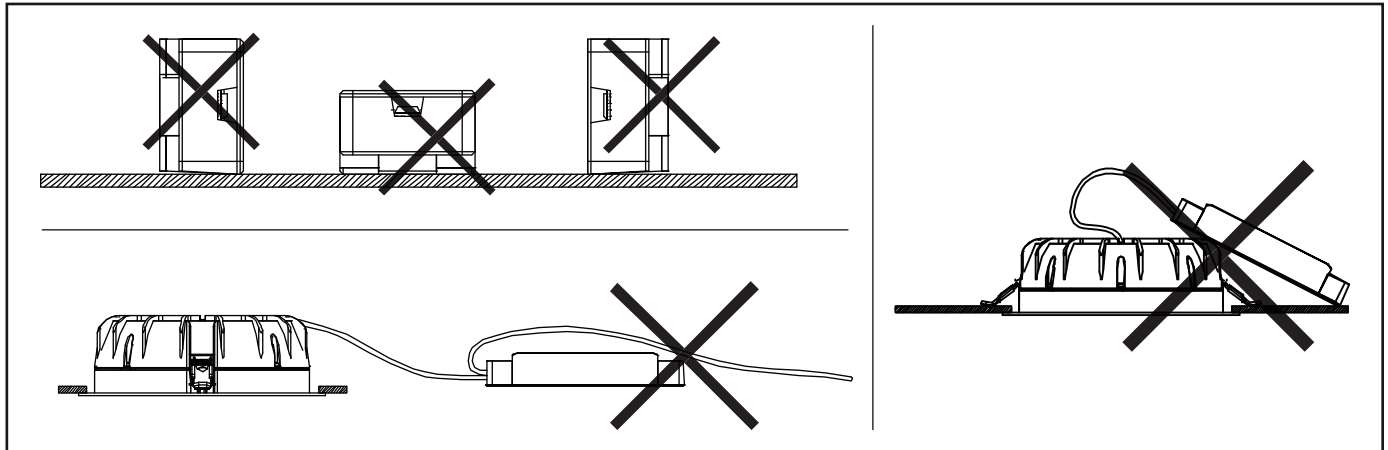
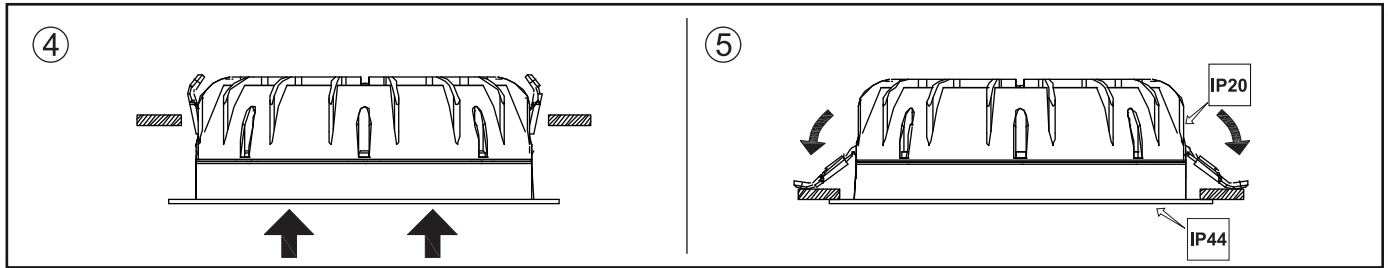
The luminaire is delivered only with lead wires.  
The luminaire must be used with an outlet box of suitable size that conform with EN60998-2-1 or EN60998-2-2 certifications.



②



③



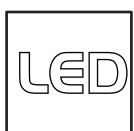
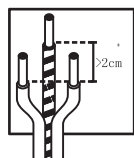
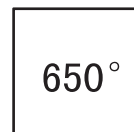
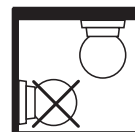
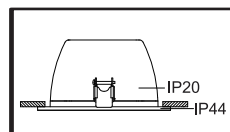
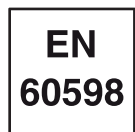
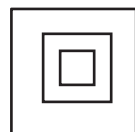
For non-user replaceable light sources.  
 "The light source contained in this luminaire shall only be replaced by the manufacturer or his service agent or a similar qualified person."



Luminaires not suitable for covering with thermally insulating material.  
 Leuchten sind nicht mit thermisch isolierenden Materialien abzudecken.



In case of damage to the wire, it has to be replaced only by the manufacturer, distributor or by an expert, to avoid risks.  
 Zur Vermeidung von Risiken müssen defekte Leitungen ausschließlich vom Hersteller, Inverkehrbringer oder Fachmann ausgetauscht werden.



Opplé Lighting Electronic (Zhongshan) Co., Ltd.  
 Building A, No.275 Dongan Bei Road,  
 Haizhou District,  
 Guzhen Town,  
 Zhongshan City,  
 Guangdong, China.

OPPLE Lighting B.V.  
 Materiaalweg 6-6A  
 5681 RJ Best  
 The Netherlands  
 service@opple.com  
 www.opple.com