

52105430	DATA SHEET	
Valid from: 03.07.2018	SKINDICHT® SHV-M-FKM	

The SKINDICHT® SHV-M-FKM cable gland is a water proof cable gland. The special conical sealing element of FKM extends through the entire gland and thus guarantees excellent resistance to pressure and strain relief. The FKM sealing cone is of outstanding resistance to oils and biological oils, solvents and chemicals at high temperatures.



Components:

Gland body	Brass, nickel-plated
Pressure screw	Brass, nickel-plated
Sealing cone	FKM
Pressure cone	Brass, nickel-plated
Pressure washer	Steel, zinc-plated
O-ring	FKM

Technical features:

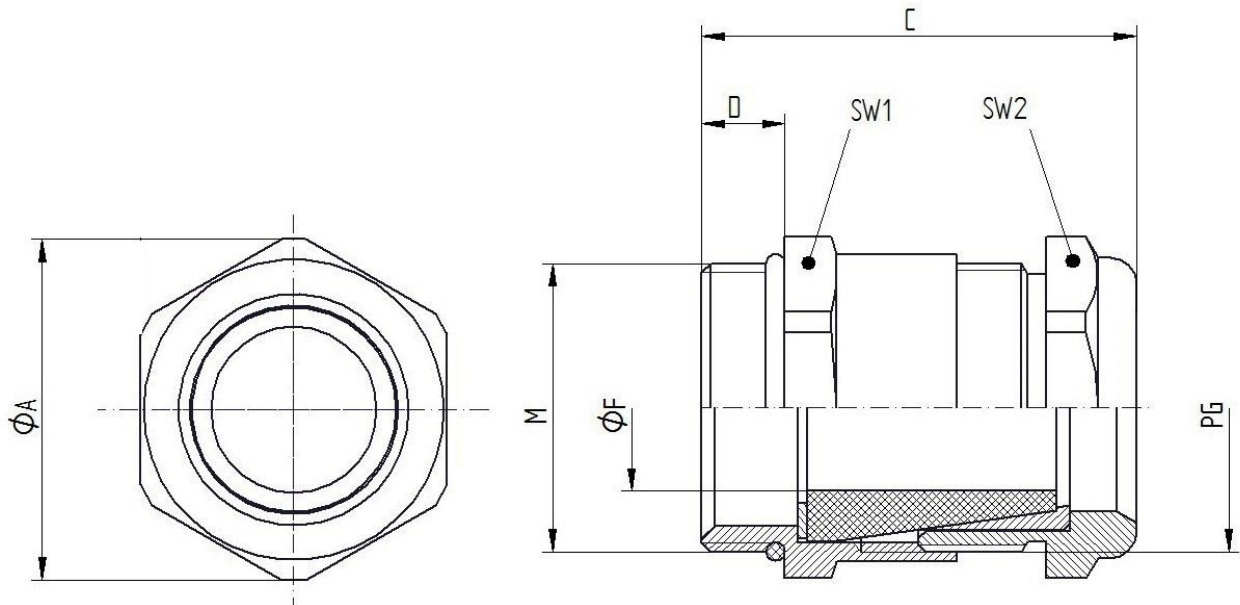
Connecting thread	M12x1,5 up to M32x1,5 acc. to EN 60423
Protection class	IP68 – 10 bar, test acc. to EN 60529
Temperature range	-20 °C up to +200 °C

Norm references:



Creator: M. Wegerer /PDP Released: DAMU1/PDP	Document: DB52105430EN Version: 03	Page 1 of 2
---	---------------------------------------	-------------

52105430	DATA SHEET	
Valid from: 03.07.2018	SKINDICHT® SHV-M-FKM	



M	PG	SW1 [mm]	SW2 [mm]	Ø A [mm]	C [mm]	D [mm]	Ø F [mm]	Clamping range [mm]	Article No.
M12x1,5	PG7	14	14	15,5	26	5	5	3,8 - 4,8	52105430
M16x1,5	PG9	18	17	18,9	27,5	5	6	4,8 - 5,8	52105440
M16x1,5	PG9	18	17	18,9	27,5	5	7	5,8 - 6,8	52105450
M20x1,5	PG11	22	20	24,4	31,0	6	7	5,8 - 6,8	52105460
M20x1,5	PG11	22	20	24,4	31,0	6	9	6,8 - 8,8	52105470
M20x1,5	PG13,5	22	22	24,4	32,5	6	11	8,5 - 10,8	52105480
M20x1,5	PG13,5	22	22	24,4	32,5	6	9	6,8 - 8,8	52105490
M20x1,5	PG16	24	24	26,7	34,5	6	13	10,8 - 12,8	52105500
M20x1,5	PG16	24	24	26,7	34,5	6	15	13,8 - 14,8	52105510
M25x1,5	PG21	30	30	33,5	38,0	7	18	15,8 - 17,8	52105520
M25x1,5	PG21	30	30	33,5	38,0	7	20	17,5 - 19,8	52105530
M32x1,5	PG29	40	40	43,5	44,5	8	22	19,5 - 21,8	52105540

For more information please see our current catalogue. Please do not hesitate to contact our laboratory if there are any questions regarding resistance against aggressive agents and special oil.

Creator: M. Wegerer /PDP Released: DAMU1/PDP	Document: DB52105430EN Version: 03	Page 2 of 2
---	---------------------------------------	-------------