

Product Data Sheet

DX54350

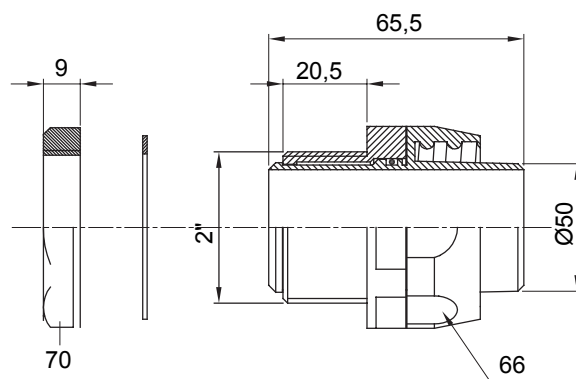
DF Range



Straight and revolving coupling device for sheath with IP54 protection degree.

| | | | |
|-----------|----------------|---------------|------|
| Colour | Black RAL 9005 | IP degree | IP54 |
| GAS pitch | 2" | Sheath Ø (mm) | 50 |
| Type | Revolving | Electrocod | 210 |

DIMENSIONAL



TECHNICAL SYMBOLOGY

IP

IP54

STANDARDS/APPROVALS

