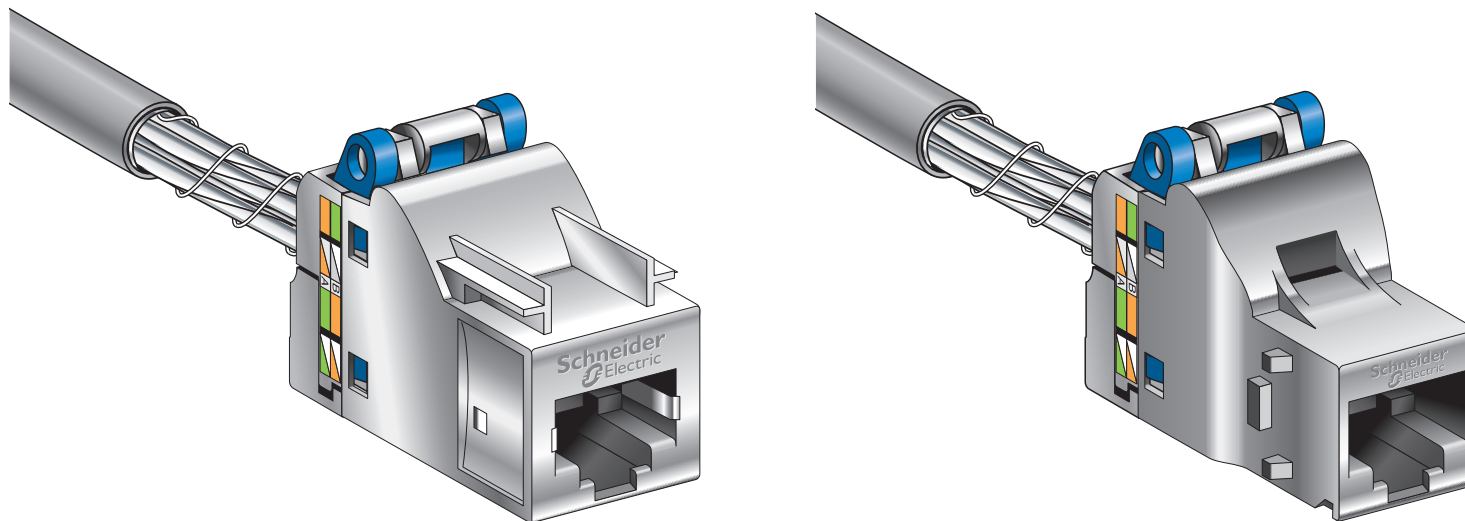




How to connect S-One & S-One DPM connectors to reach performance



PoE+*
4P PoE
IEEE 802.3bt - 100W/52V (1A per pair maximum)
4-pair Power over Ethernet type 4 - IEC 60512-99-002

* Power Over Ethernet (Ethernet et alimentation électrique)

Cat 5e Cat 6 Cat 6A

V3

RJ45 connectors S-One & S-One DPM

Installation Sheet
GEX94517000

Life Is On



WARNING



HAZARD OF ELECTRIC SHOCK, EXPLOSION OR ARC FLASH

- This equipment must only be installed by a qualified person. This operation must only be carried out after reading all the instructions in this document.

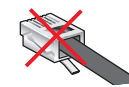
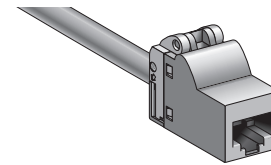
- NEVER work alone.
- Before making the visual inspections, tests or maintenance operations on this equipment, disconnect all electrical power supplies.
- Start off with the principle that all circuits are live until they have been completely powered down, tested and labeled. Pay special attention to the design of the power supply circuit. Take account of all power supply sources, including the possibility of feedback.
- Wear suitable personal protective equipment and respect applicable electrical safety instructions.
- Use a Voltage Tester of the appropriate rating.
- Take account of possible hazards. Carefully inspect the work area to check that no tools or objects could have been left inside the equipment.

Failure to follow these instructions will result in death or serious injury.

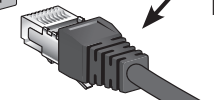
This instruction must be kept for future use.

IMPORTANT NOTE

- This equipment be installed, repaired en maintained only by qualified personnel. No responsibility is assumed by Schneider Electric for any consequences arising out of the use of this documentation.
- A qualified person is one who has skills and knowledge related to the construction, installation and operation of electrical equipment and who has received safety training to recognize and avoid the hazards involved.
- Read this guide carefully and examine the equipment to become familiar with its operation before installing it.
- All applicable local, regional, and national regulations must be respected when installing, repairing, and maintaining this equipment.
- This device should not be installed if, when unpacking you observe that it is damaged.



RJ11



RJ 45



IMPORTANT

Plugs compliant with
IEC 60603-7 series (RJ45)

DANGER



RISQUE D'ÉLECTROCUTION, D'EXPLOSION OU D'ARC ÉLECTRIQUE

- L'installation de cet équipement doit impérativement être réalisée par une personne qualifiée. Cette opération doit être exécutée

uniquement en ayant pris connaissance de l'ensemble des instructions du présent document.

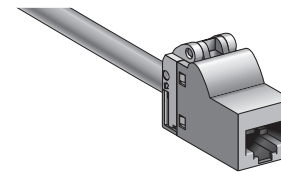
- Ne travaillez JAMAIS seul.
- Avant d'entreprendre des inspections visuelles, des tests ou des opérations de maintenance sur cet équipement, débrancher toutes les sources d'alimentation électrique.
- Partez du principe que tous les circuits sont sous tension jusqu'à ce qu'ils aient été mis complètement hors tension, testés et étiquetés. Faites particulièrement attention à la conception du circuit d'alimentation. Tenez compte de toutes les sources d'alimentation, y compris à la possibilité d'une rétroalimentation.
- Portez un équipement de protection personnelle adapté et respectez les consignes de sécurité électrique courantes.

Le non-respect de ces instructions provoquera la mort ou des blessures graves.

La présente instruction de service doit être conservée pour une utilisation future.

REMARQUE IMPORTANTE

- L'installation, la réparation et la maintenance de cet appareil doivent être assurées uniquement par des personnes qualifiées. Schneider Electric décline toute responsabilité quant aux éventuelles conséquences découlant de l'utilisation de cette documentation.
- Une personne qualifiée est une personne disposant de compétences de connaissances en matière de construction, installation et fonctionnement du matériel électrique ayant bénéficié d'une formation de sécurité afin de percevoir et d'éviter les dangers associés.
- Lisez attentivement cette instruction de service et examinez l'appareil pour vous familiariser avec son fonctionnement avant de faire son installation.
- Toutes les réglementations locales, régionales et nationales applicables doivent être respectées lors de l'installation, réparation et maintenance de cet appareil.
- Cet appareil ne doit pas être installé si vous constatez lors du déballage qu'il est endommagé.

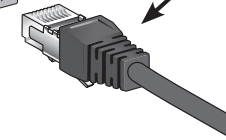


RJ11



IMPORTANT

Les plugs RJ45 doivent être conformes à la norme IEC 60603-7 séries (RJ45)



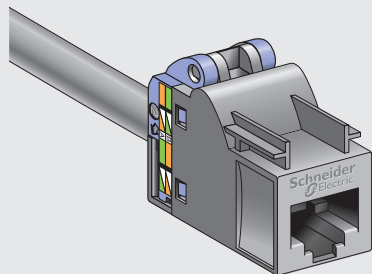
RJ 45

I select the connector

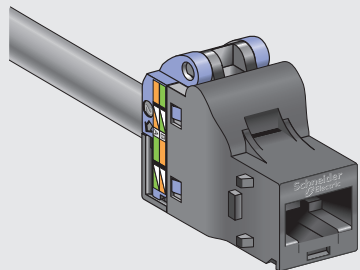
Click on the tab of your choice 

Unshielded

Actassi S-One

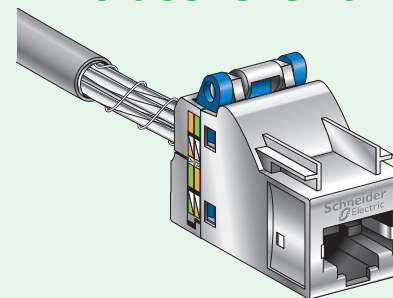


Actassi S-One DPM

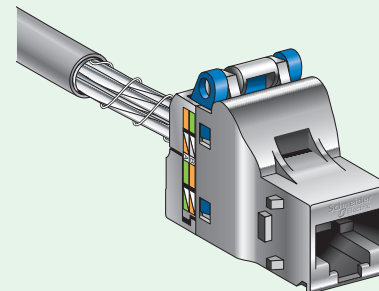


Shielded

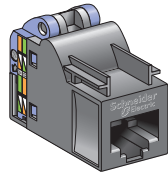
Actassi S-One



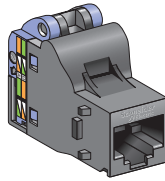
Actassi S-One DPM



S-One
Unshielded



S-One DPM
Unshielded

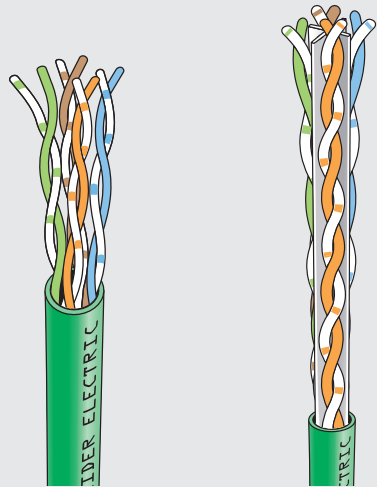


I select the cable

Click on the tab of your choice



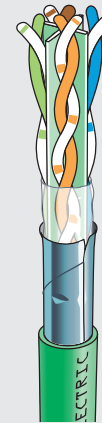
Cable U/UTP \leq 6 mm



Cat 5e

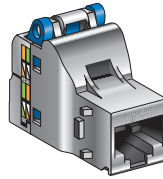
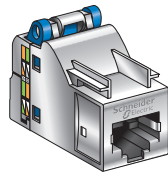
Cat 6

Cable U/UTP \geq 6 mm



Cat 6_A

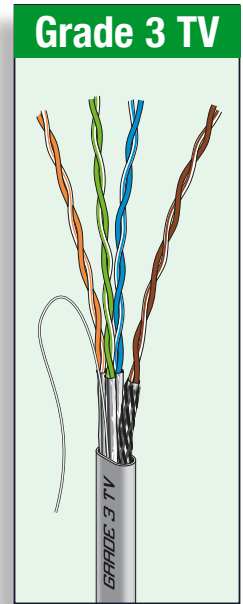
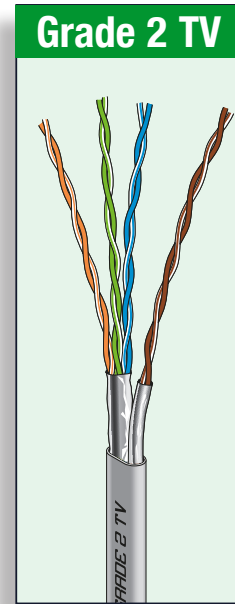
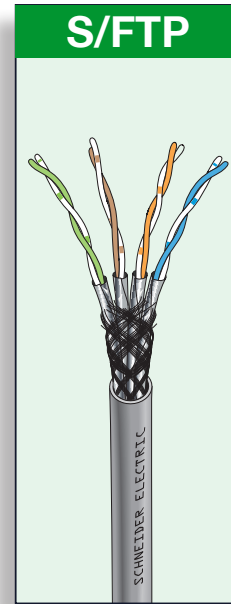
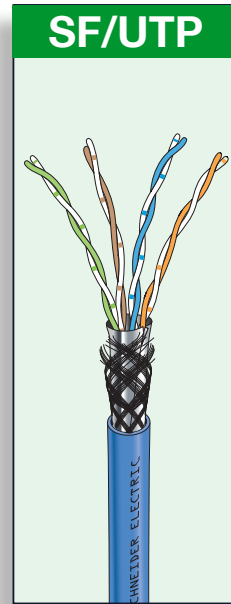
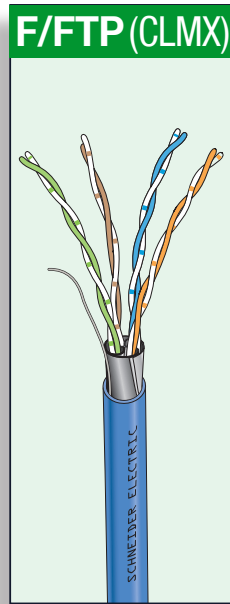
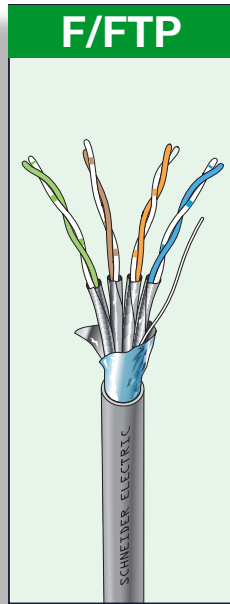
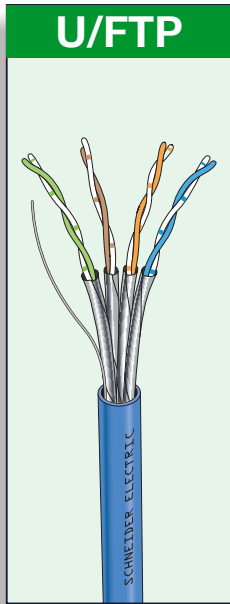
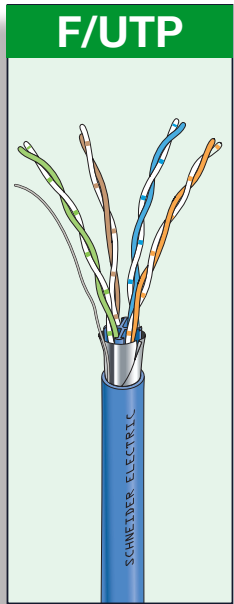
S-One
Shielded



S-One DPM
Shielded

I select the cable

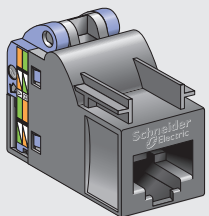
Click on the tab of your choice



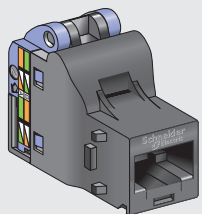
Composition

Unshielded connector

S-One



S-One DPM

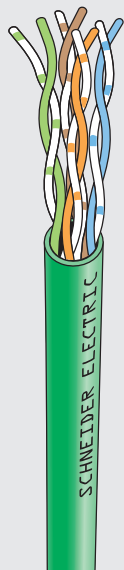


U/UTP

Cat 5e

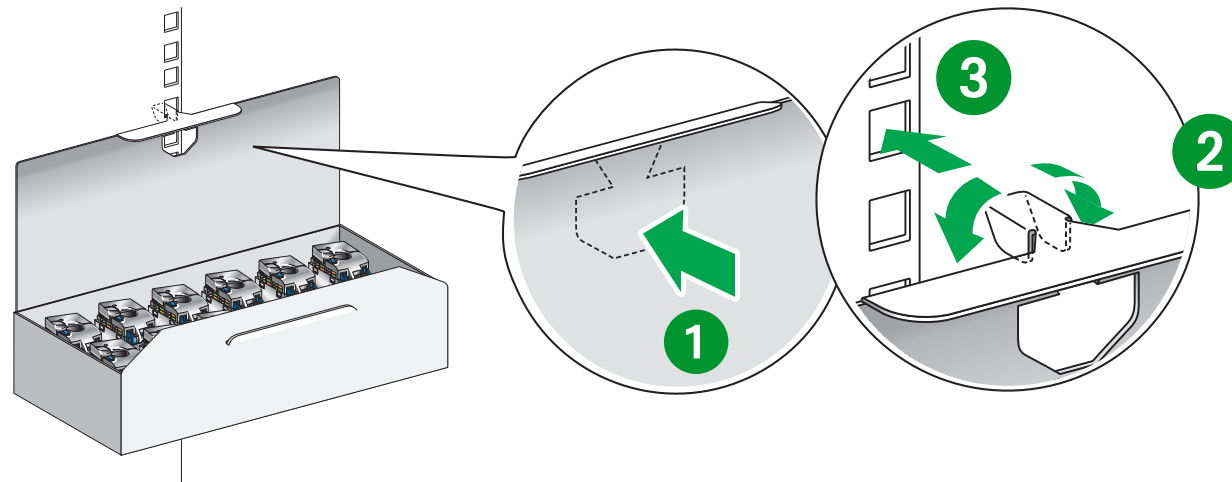
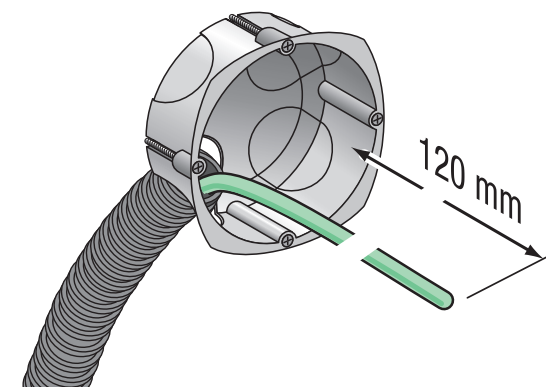
Cat 6

≤ 6 mm



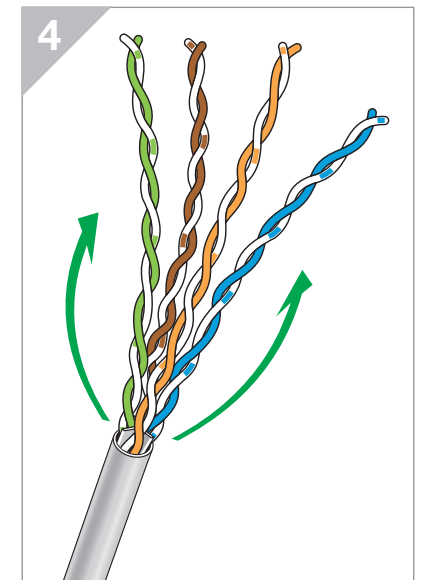
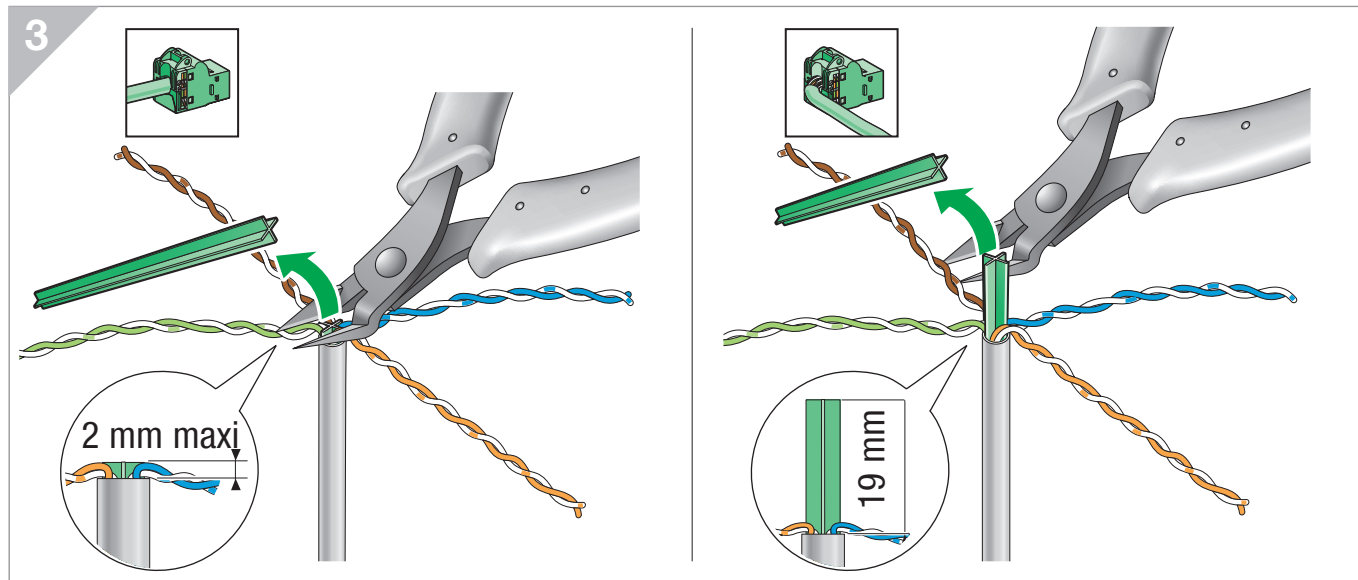
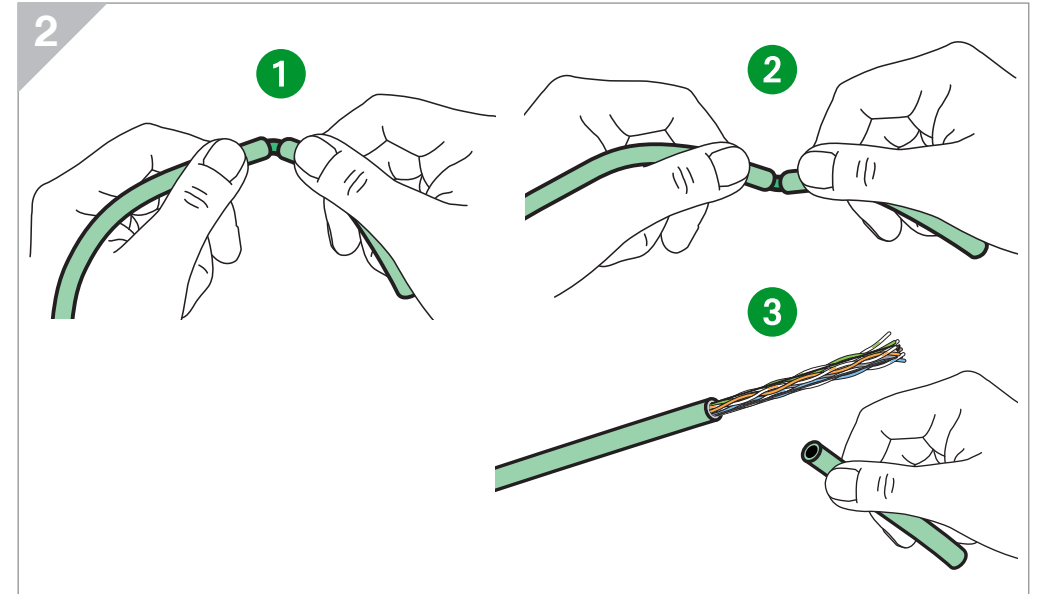
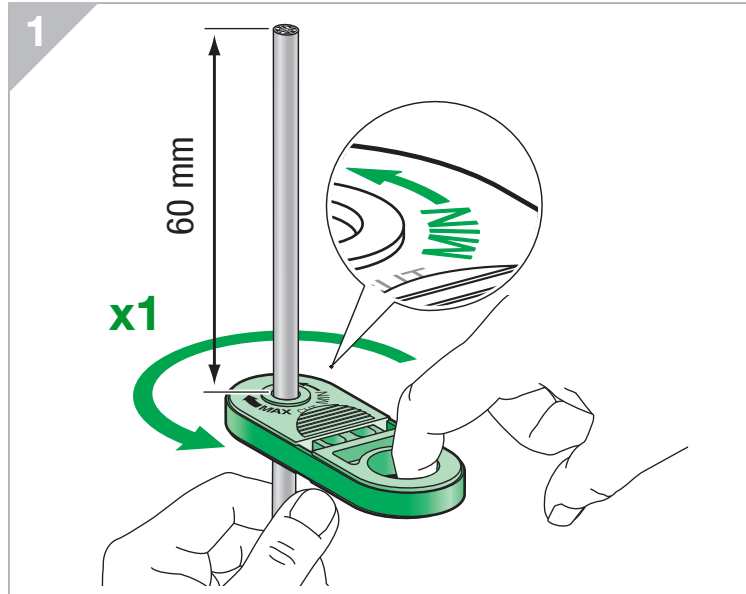
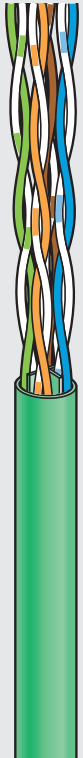
VDIR580020

x1



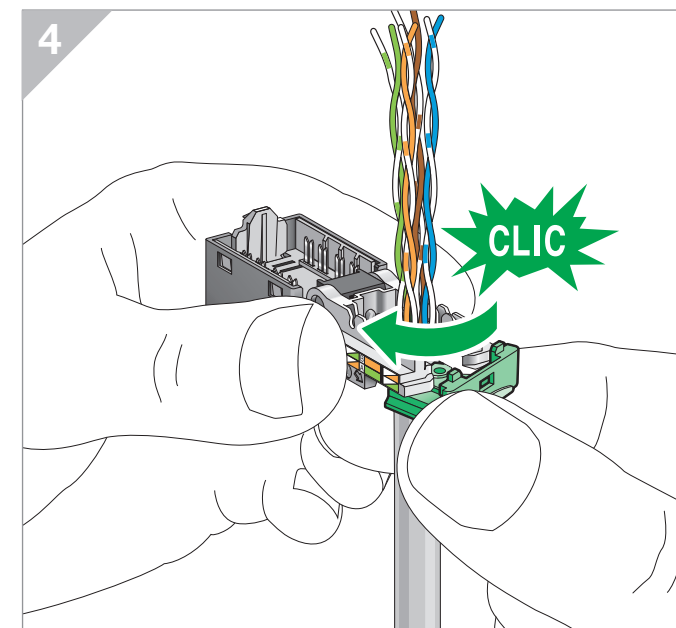
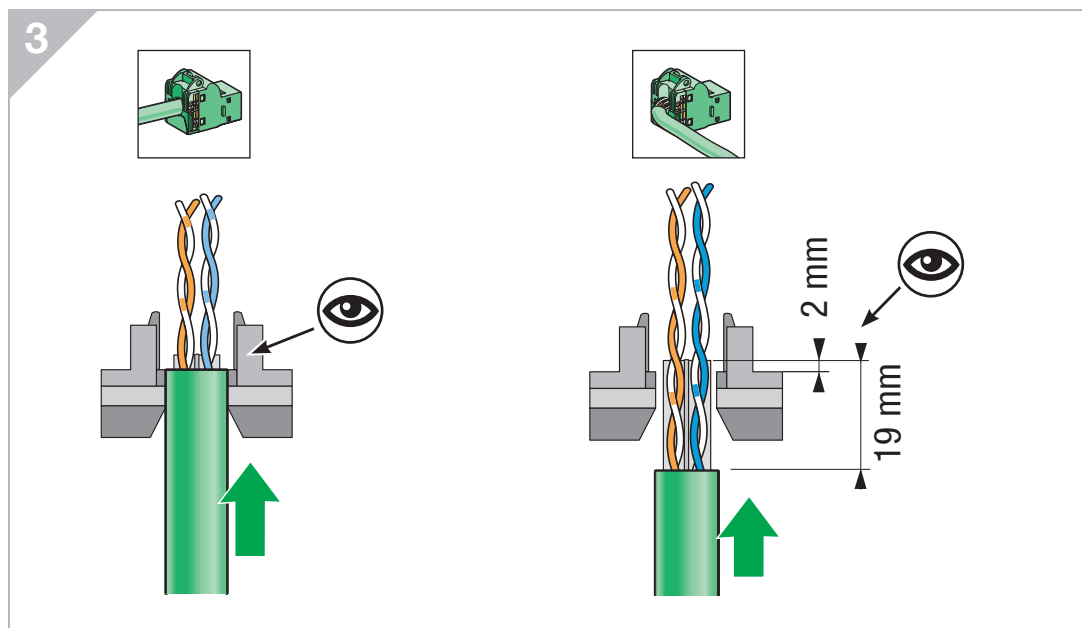
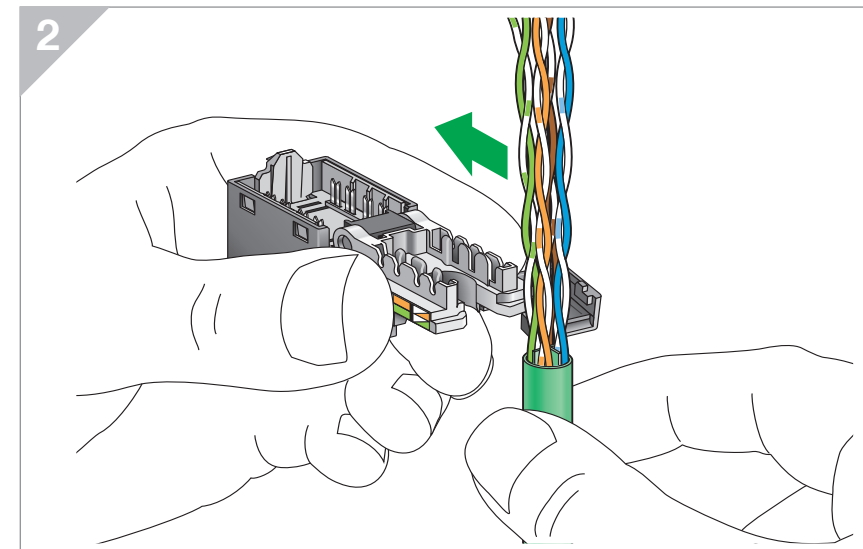
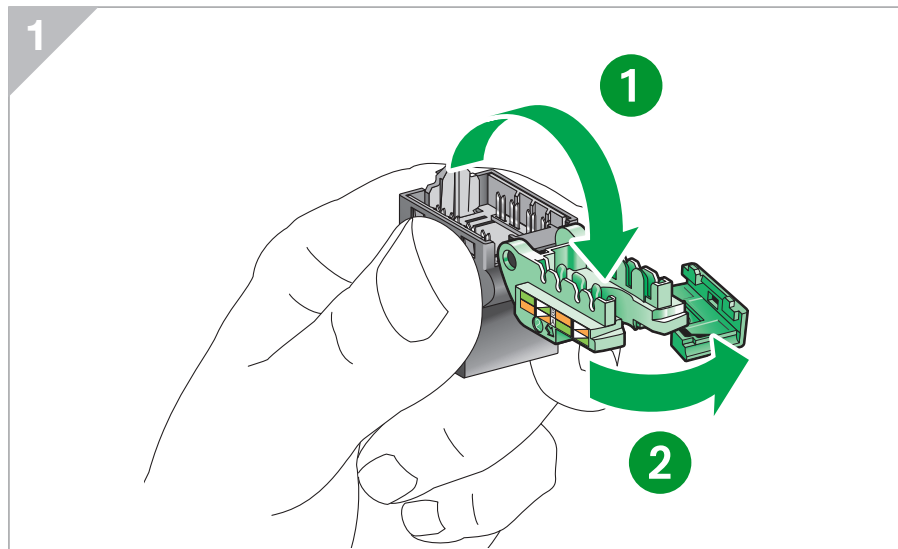
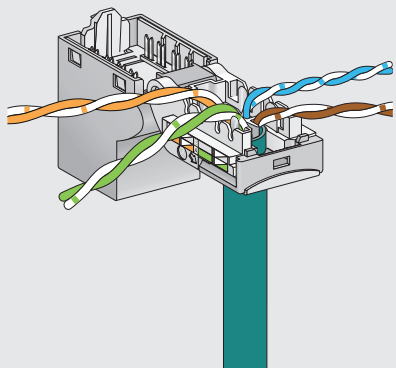
Cable preparation

U/UTP



Connector wiring

U/UTP

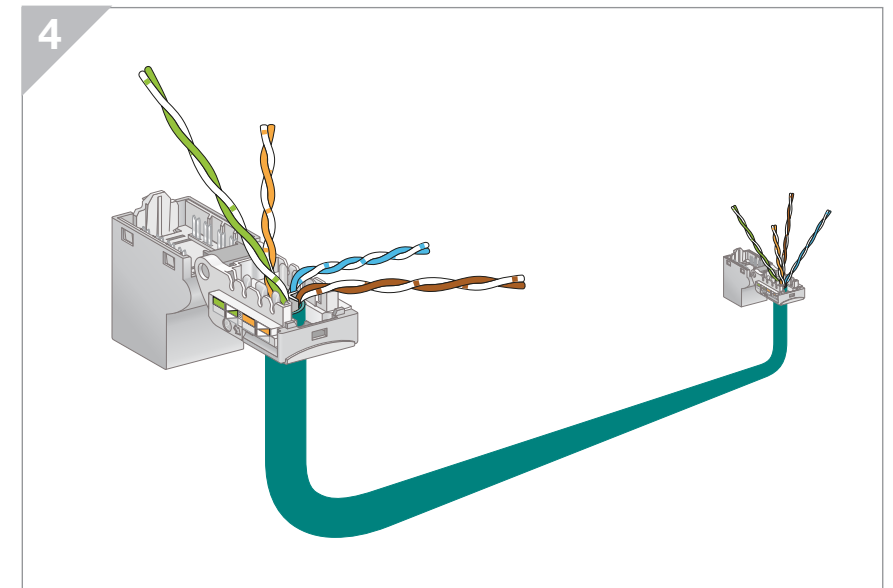
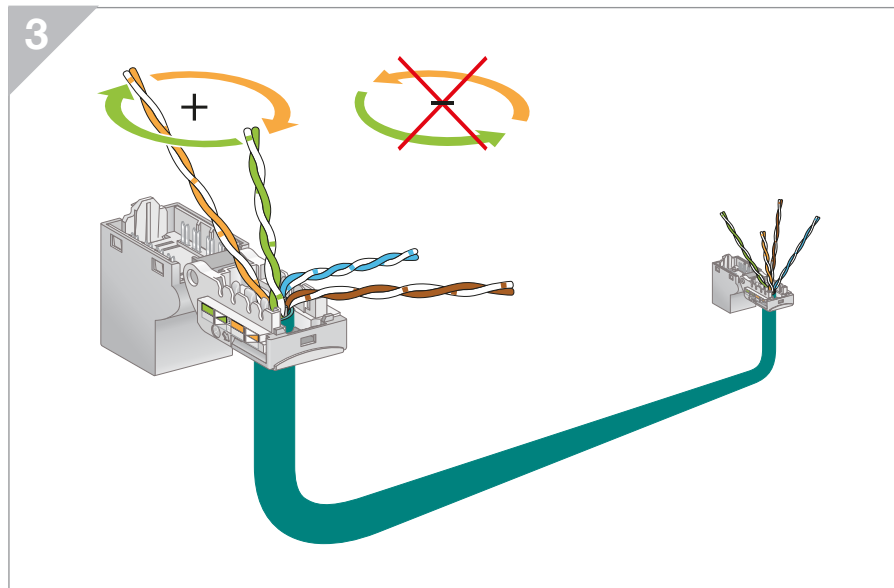
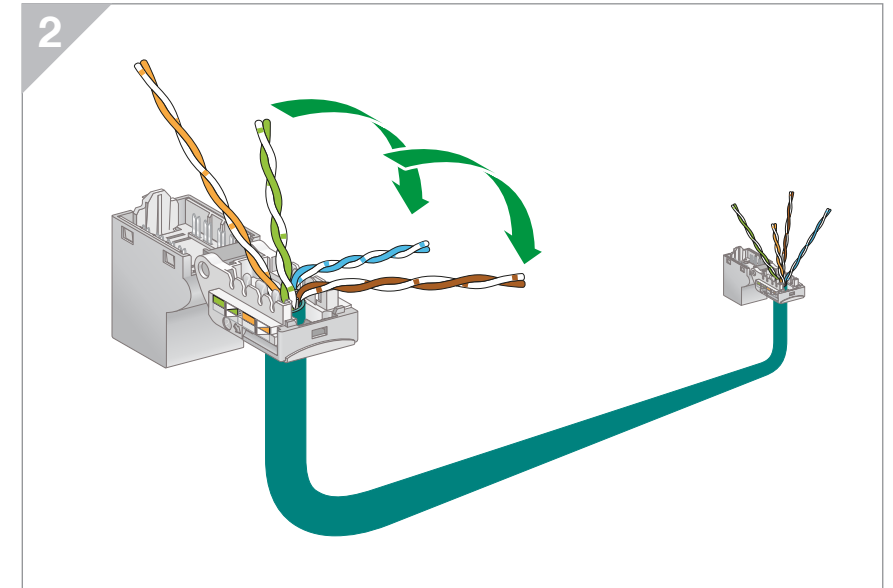
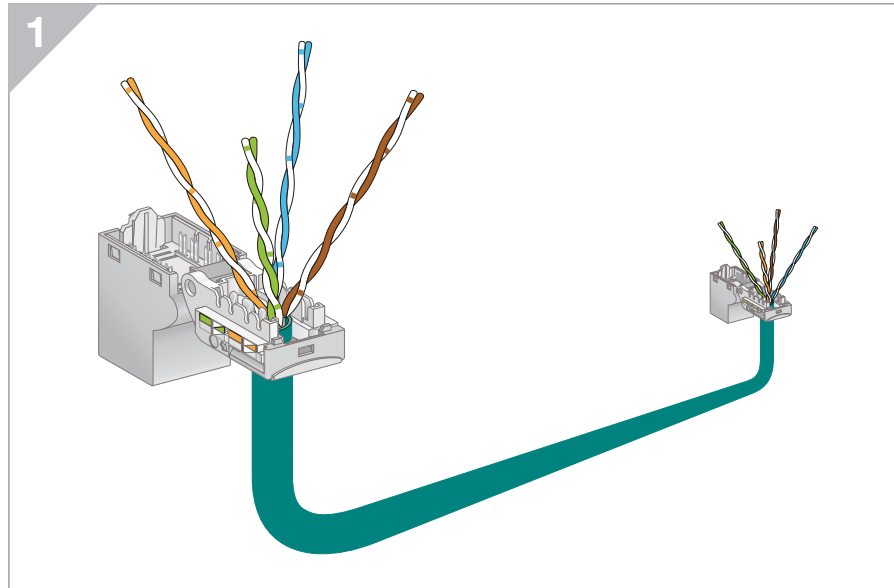
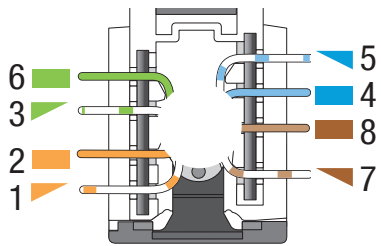


Pairs crossing

U/UTP

How to prepare a U/UTP cable with EIA-TIA 568B to reach high performance

EIA-TIA 568B (100Ω)

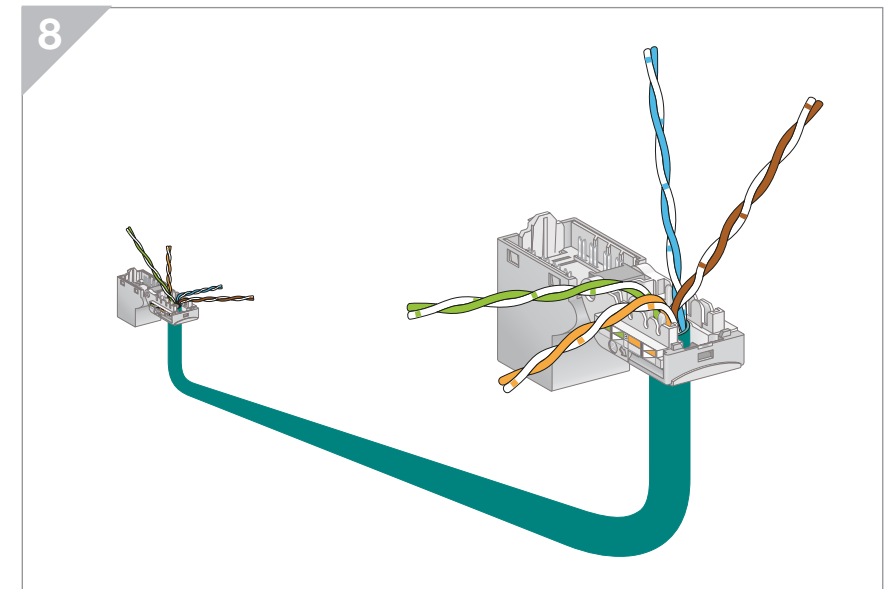
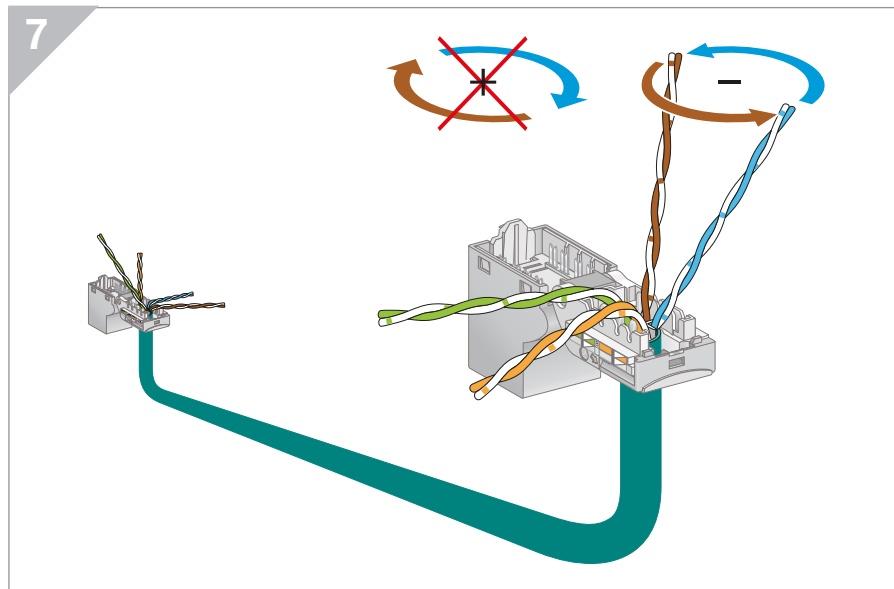
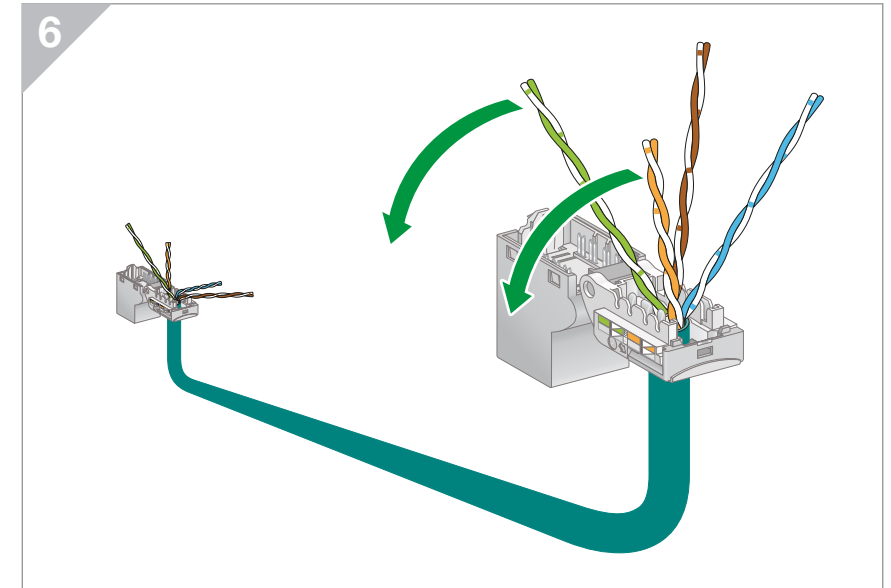
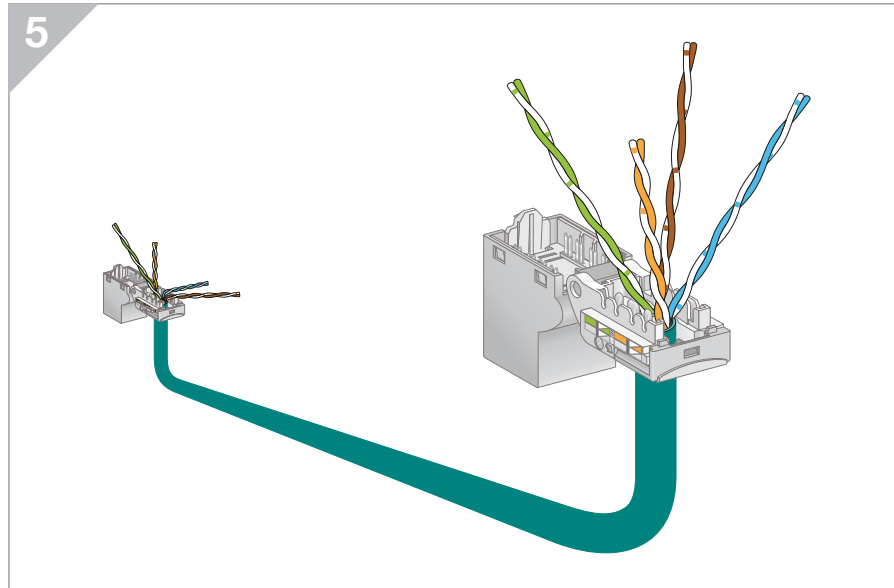
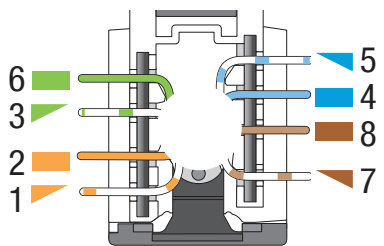


Pairs crossing

U/UTP

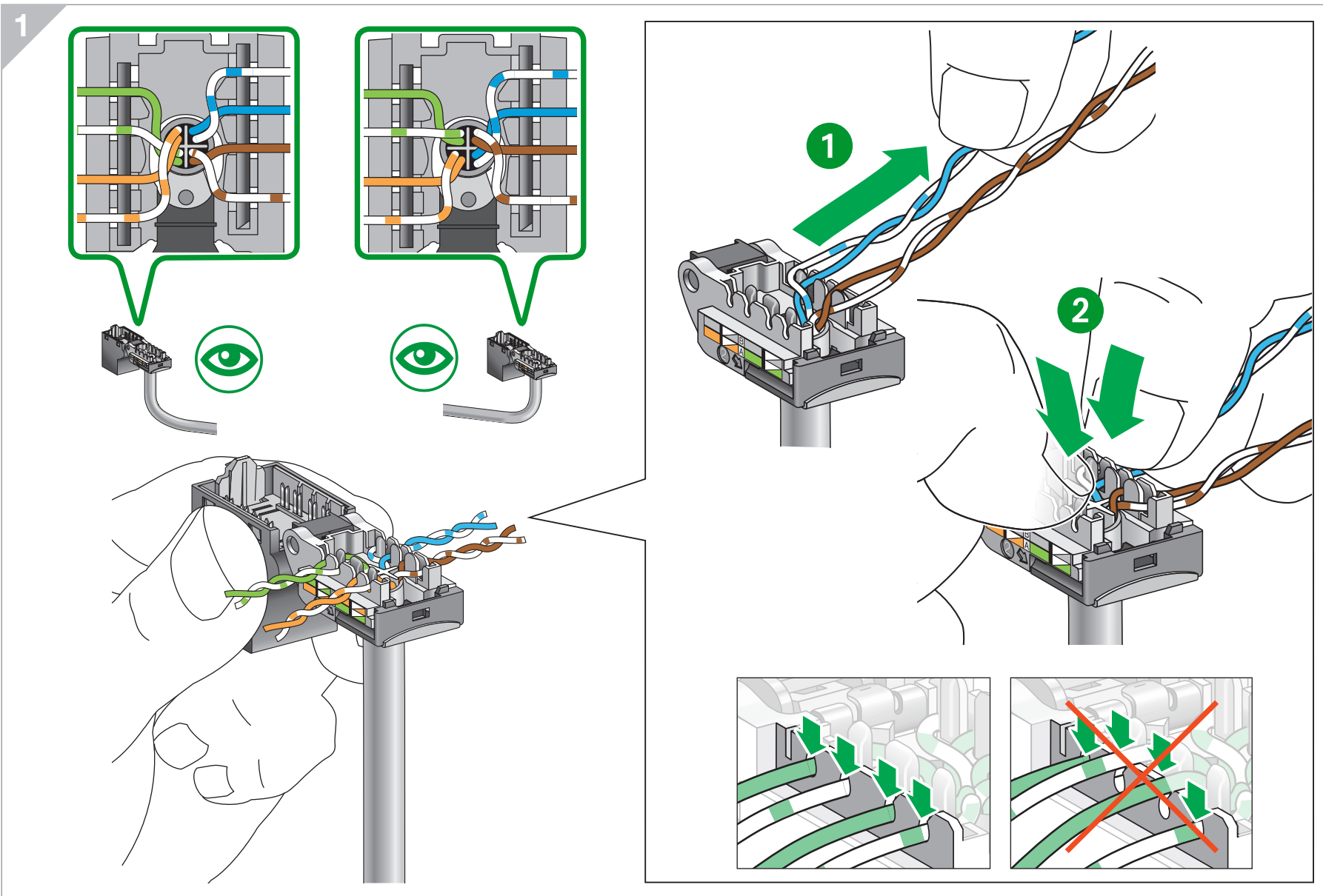
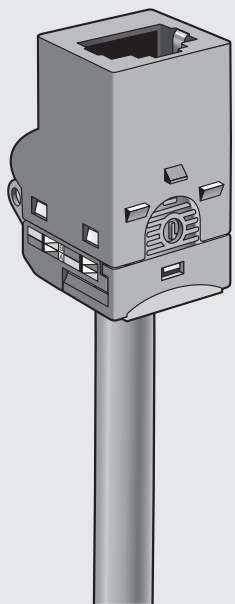
How to prepare a U/UTP cable with EIA-TIA 568B to reach high performance

EIA-TIA 568B (100Ω)



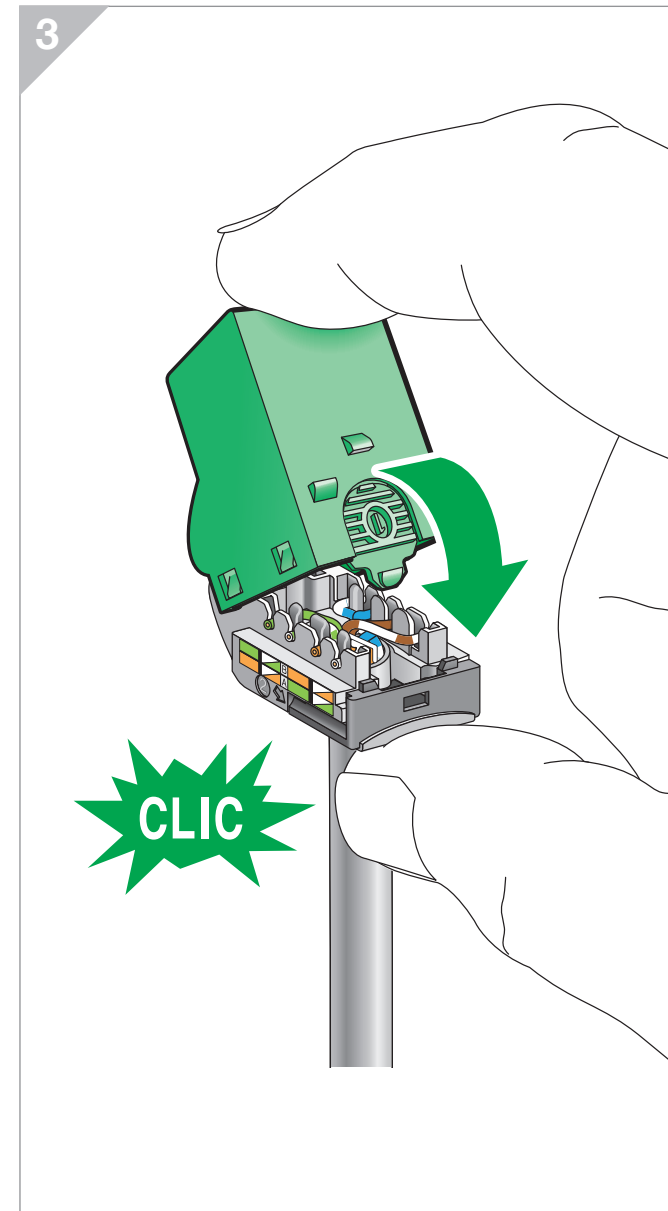
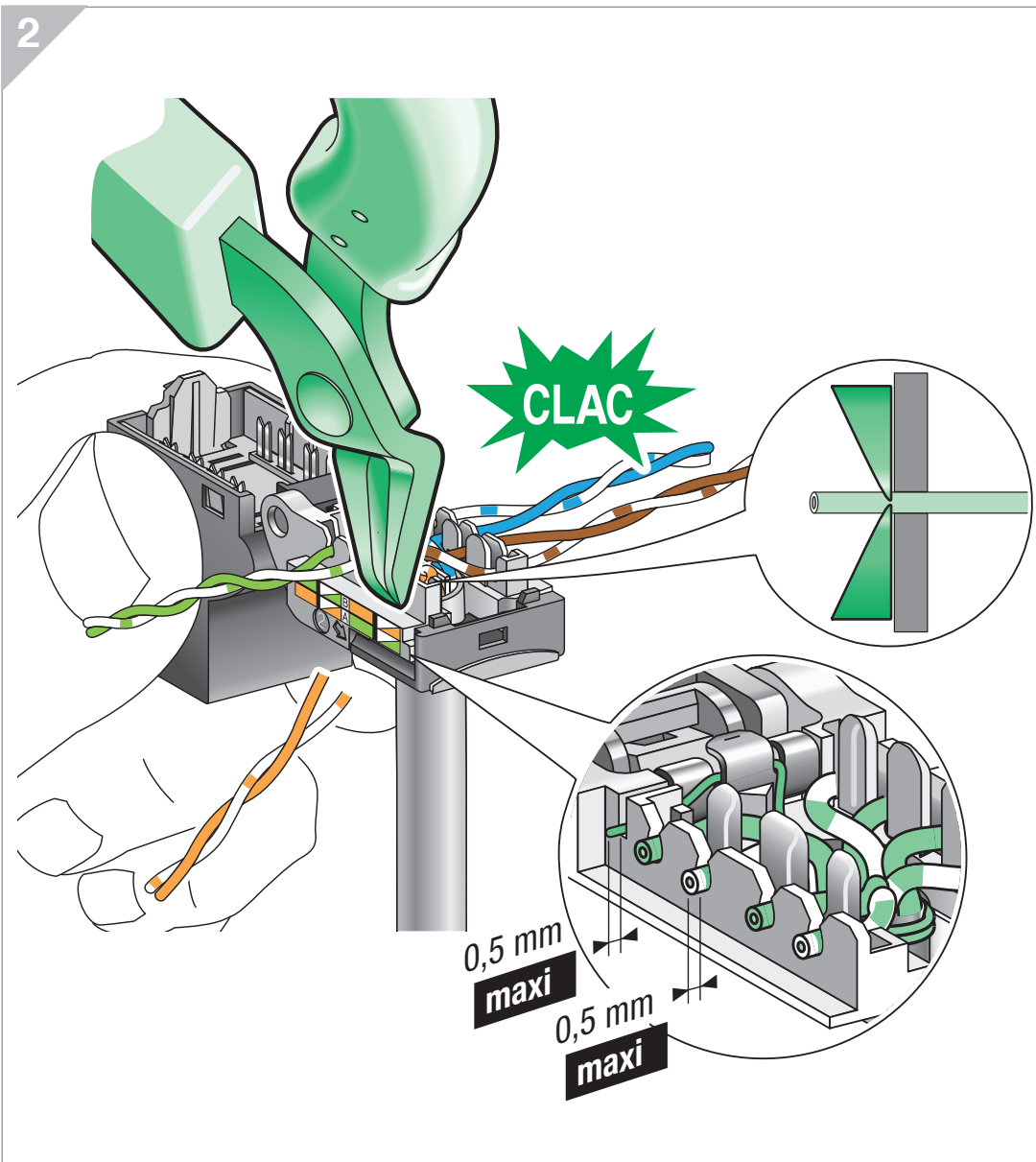
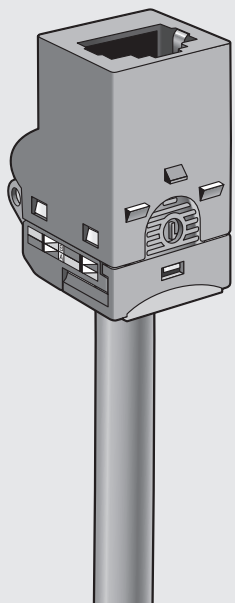
Connector connection

U/UTP



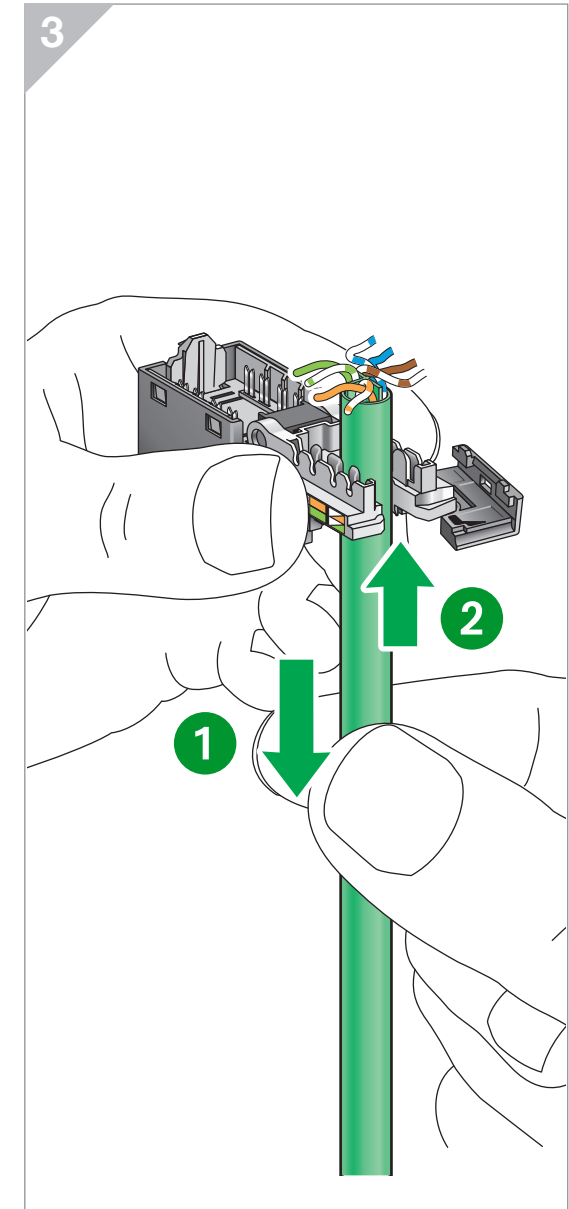
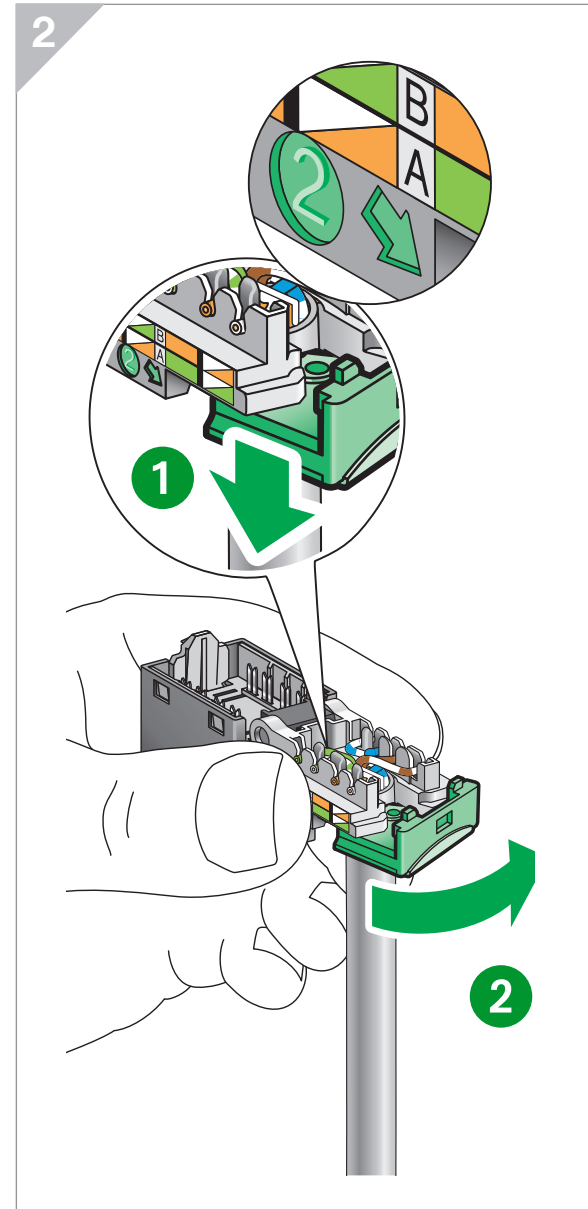
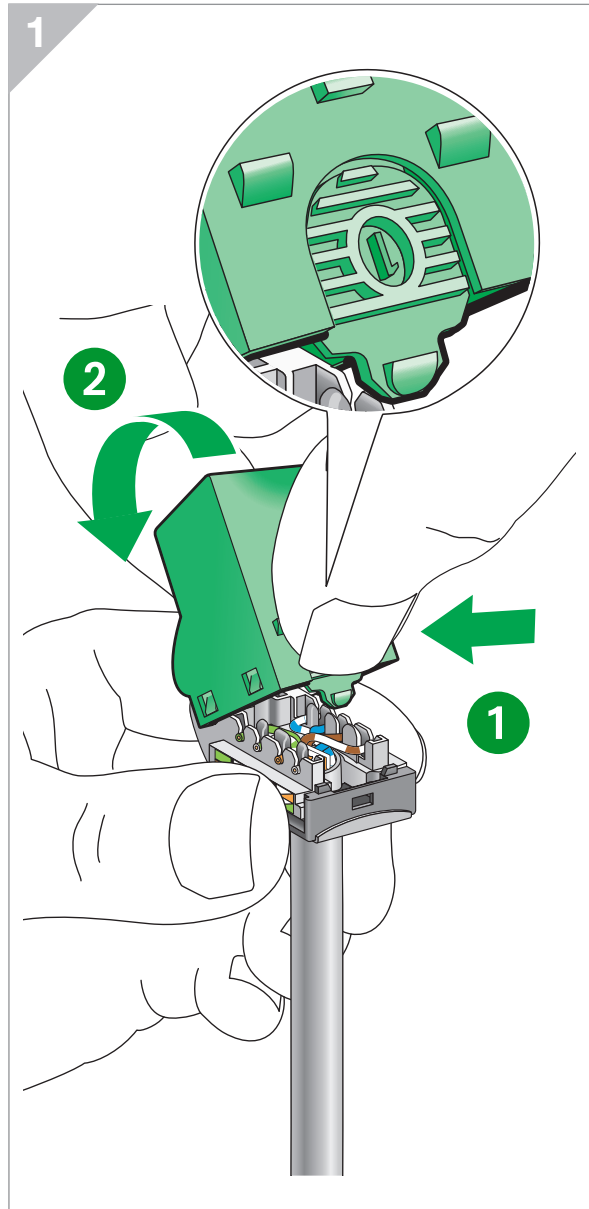
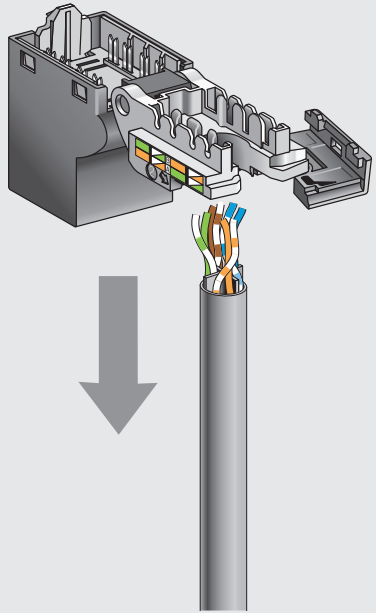
Connector connection

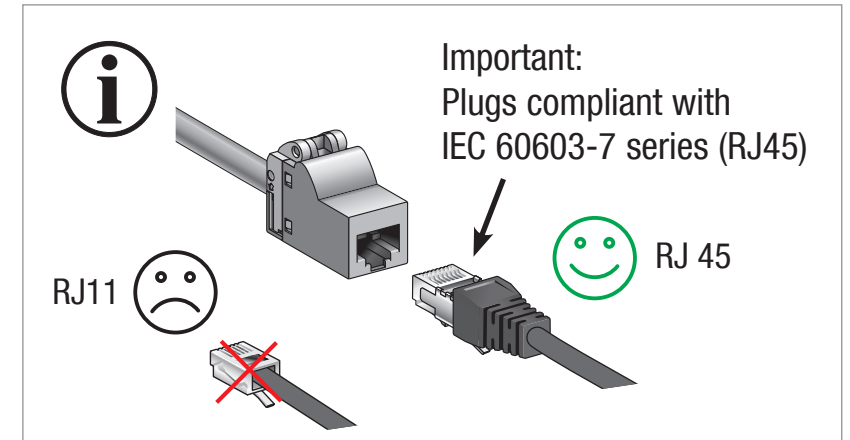
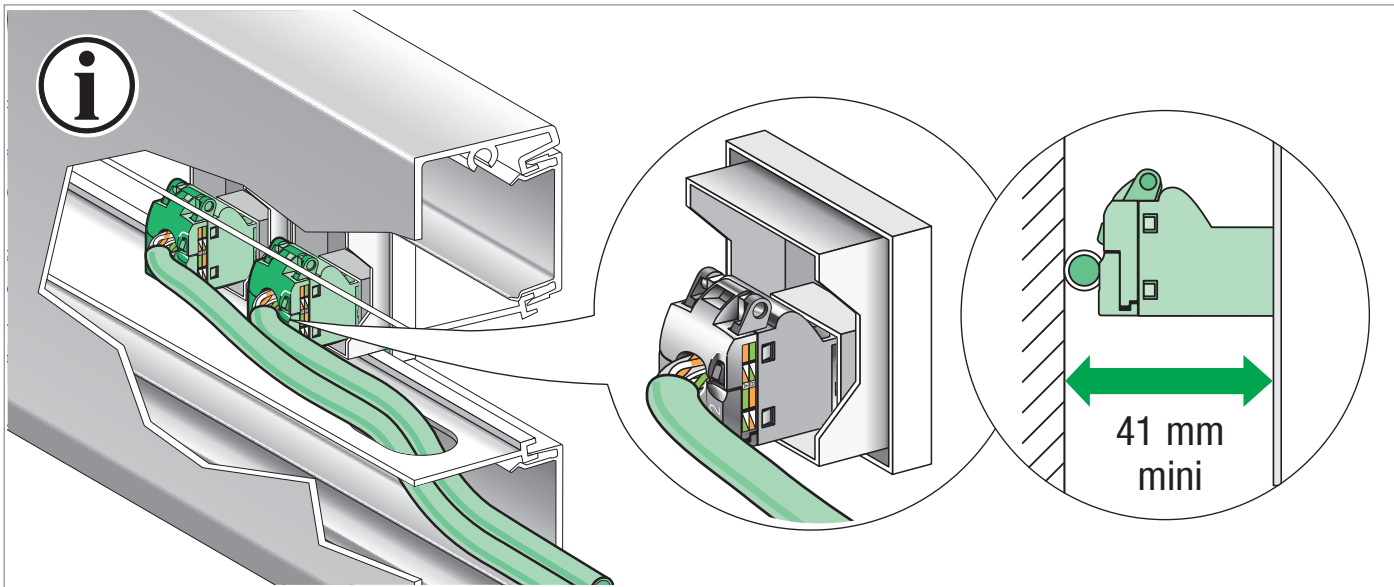
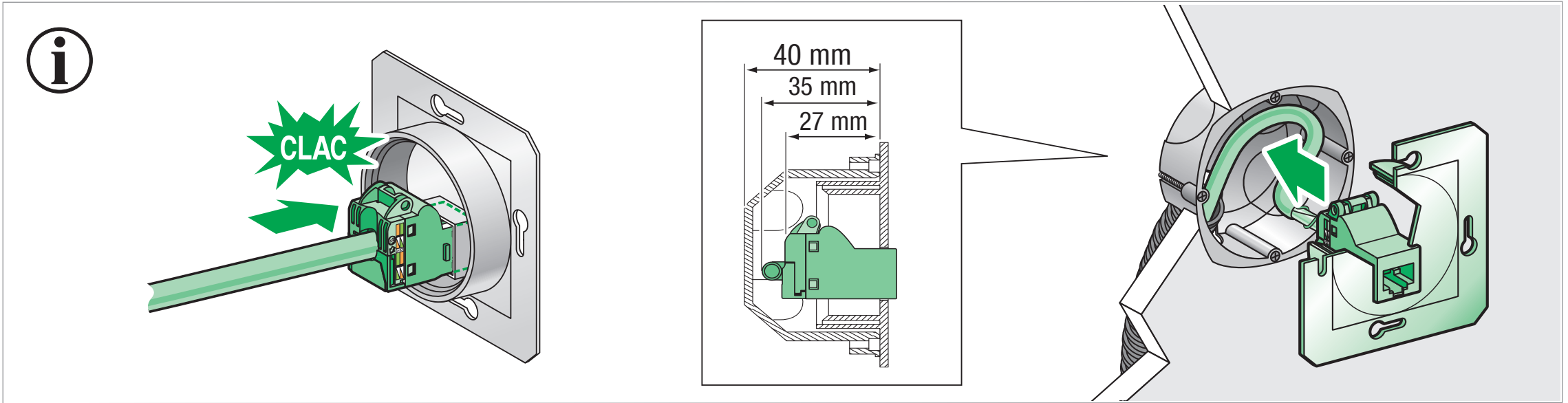
U/UTP



Connector disconnection

U/UTP

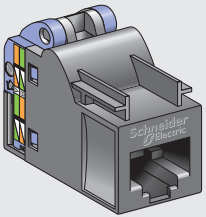




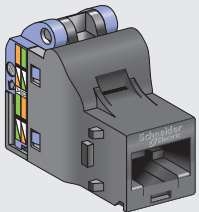
Composition

Unshielded connector

S-One

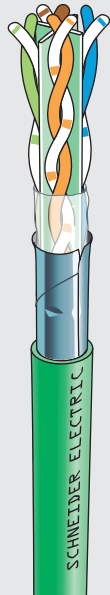


S-One DPM



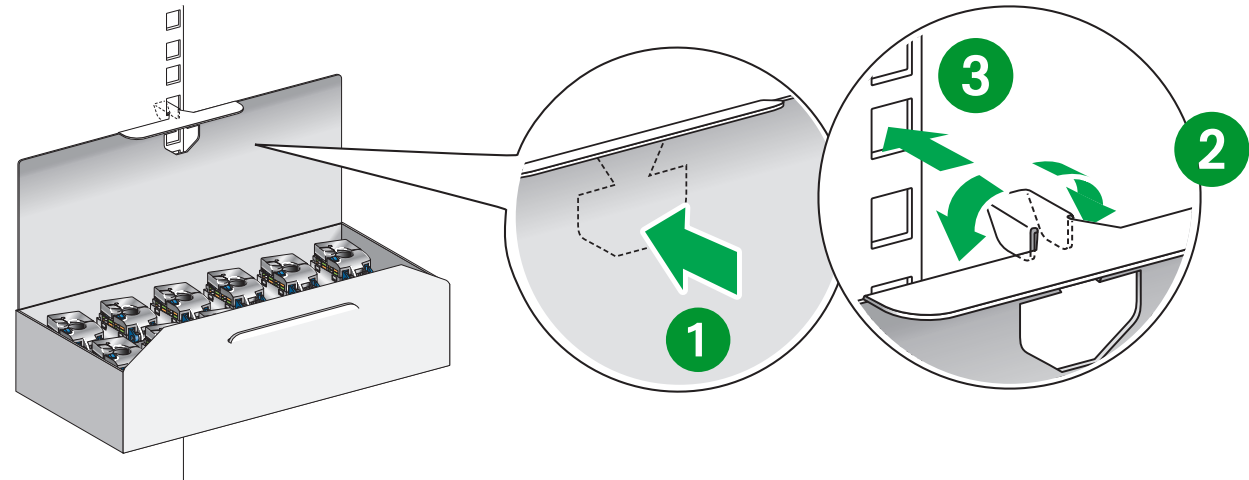
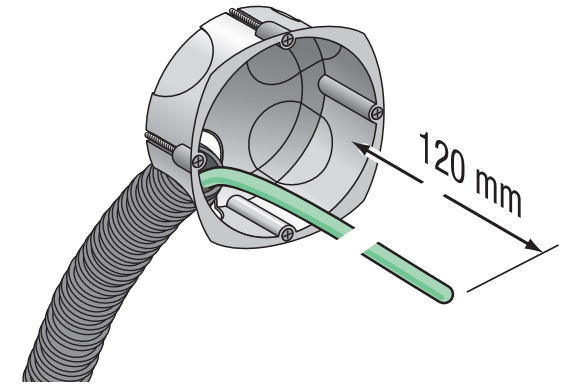
U/UTP

Cat 6A
7 mm



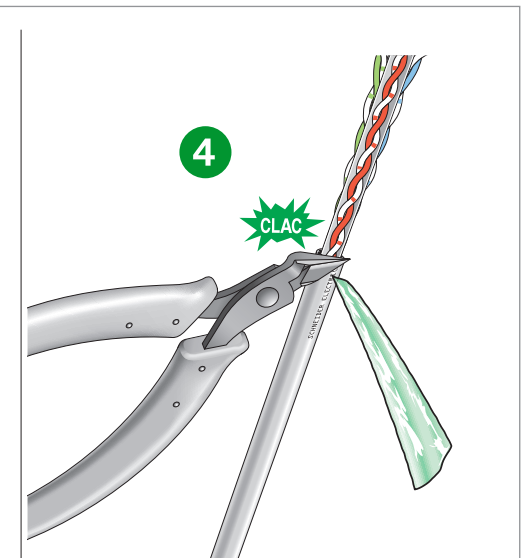
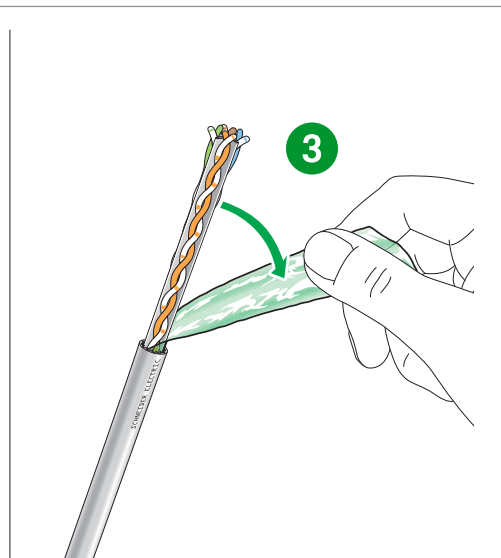
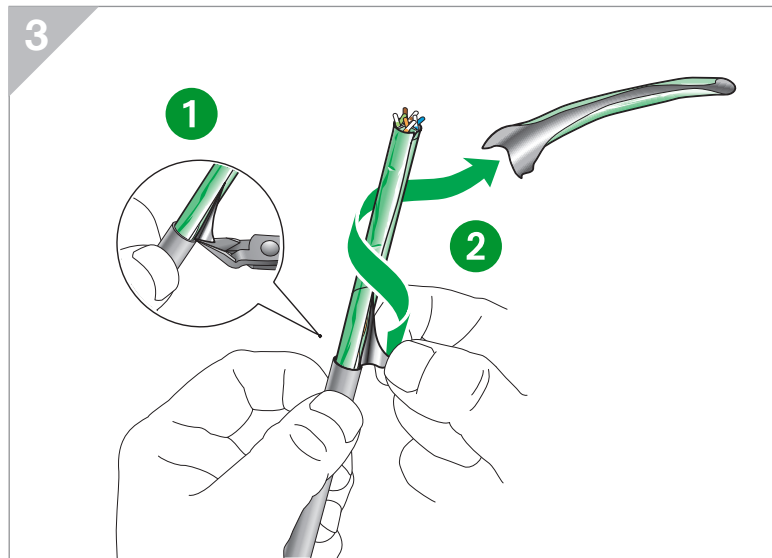
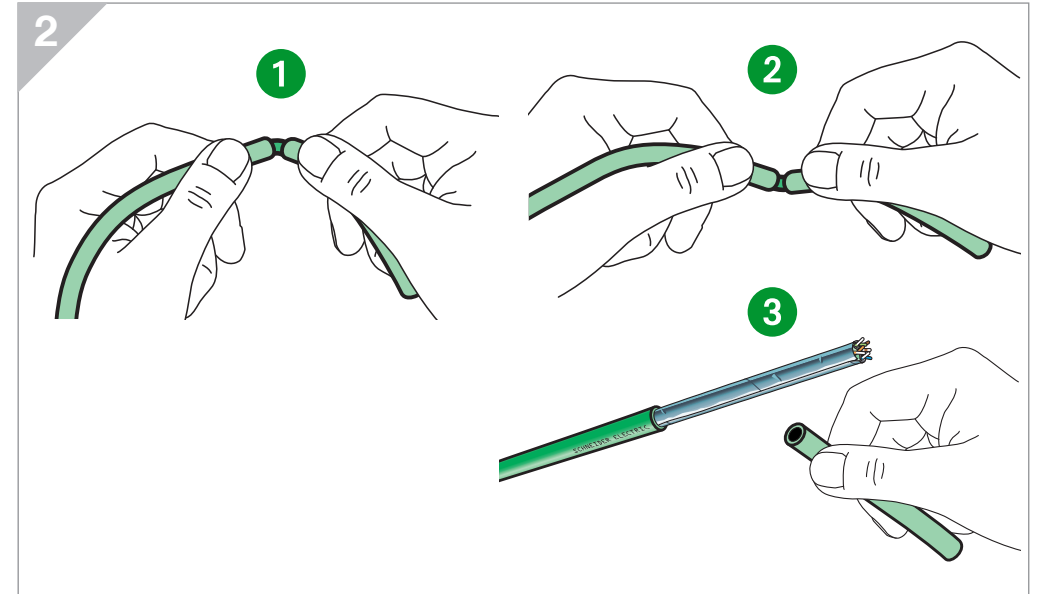
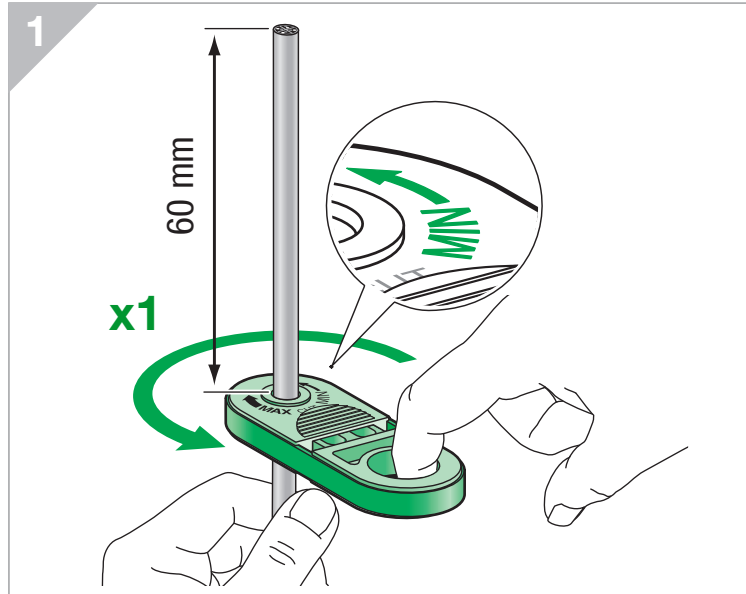
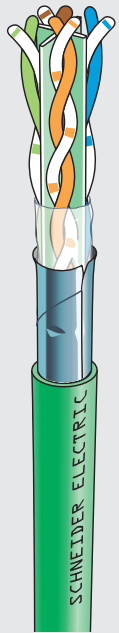
VDIR580020

x1



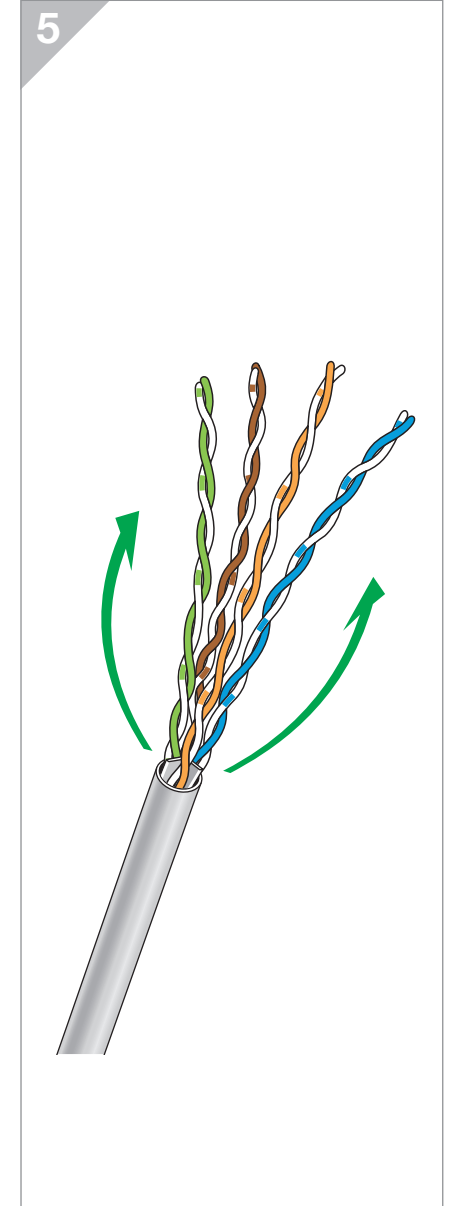
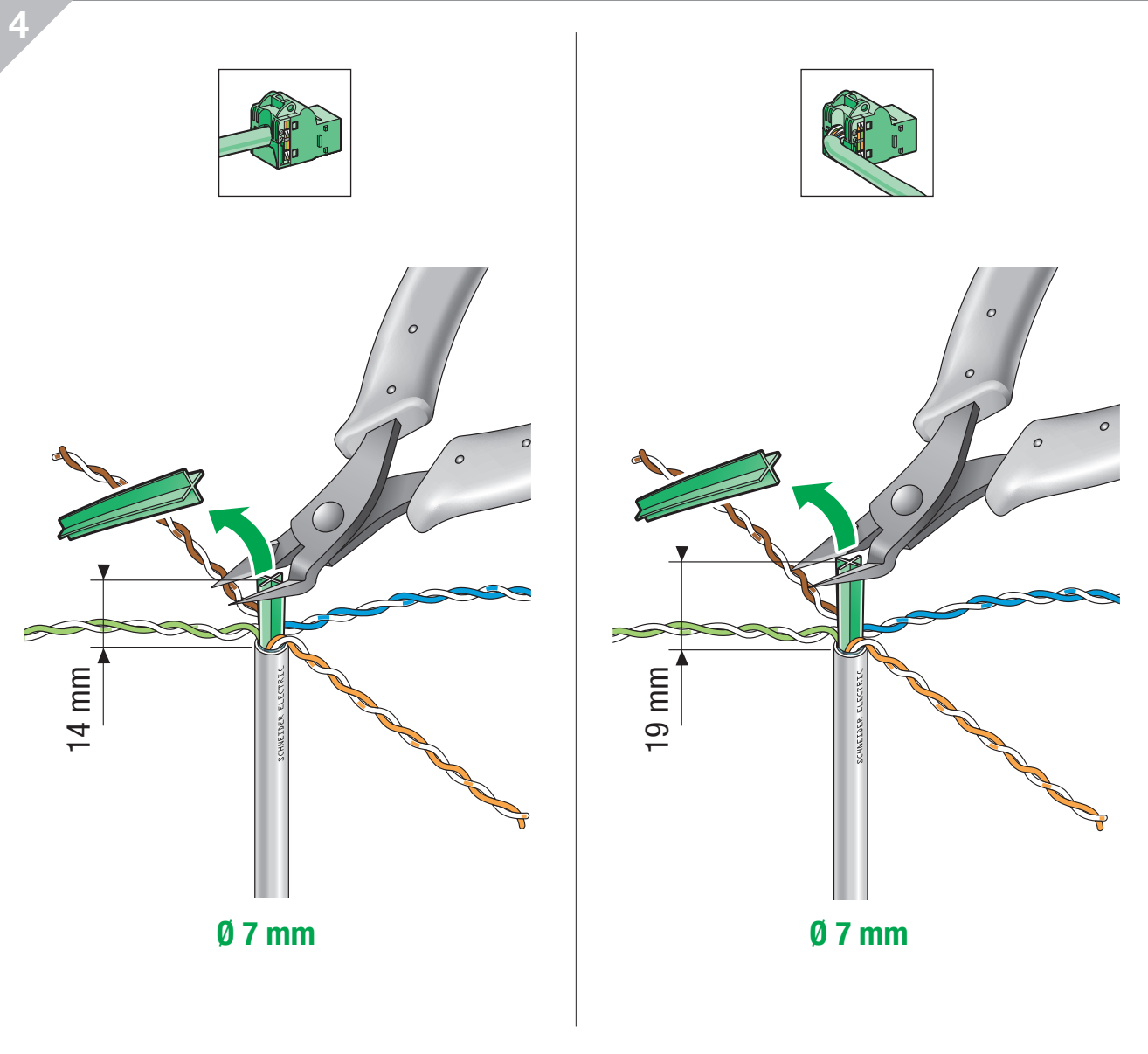
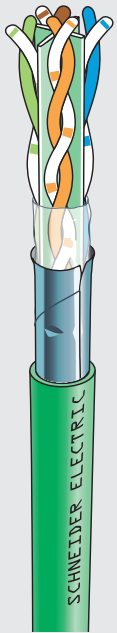
Cable preparation

U/UTP



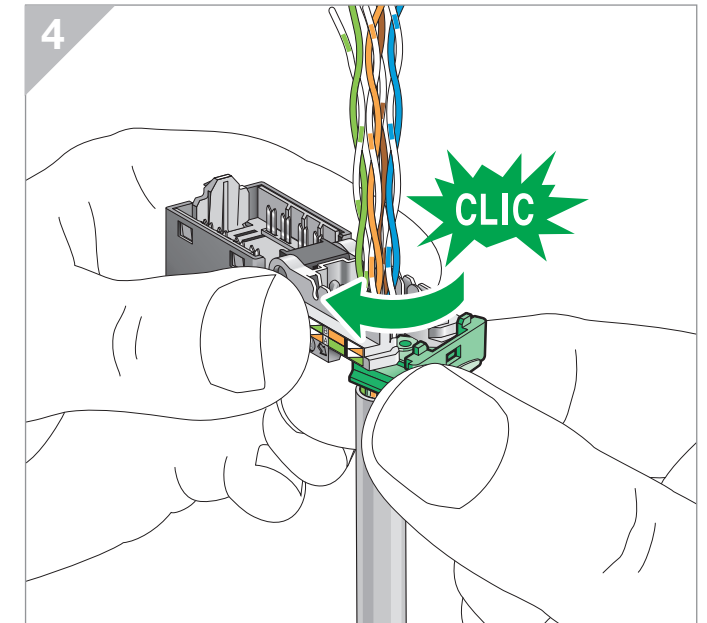
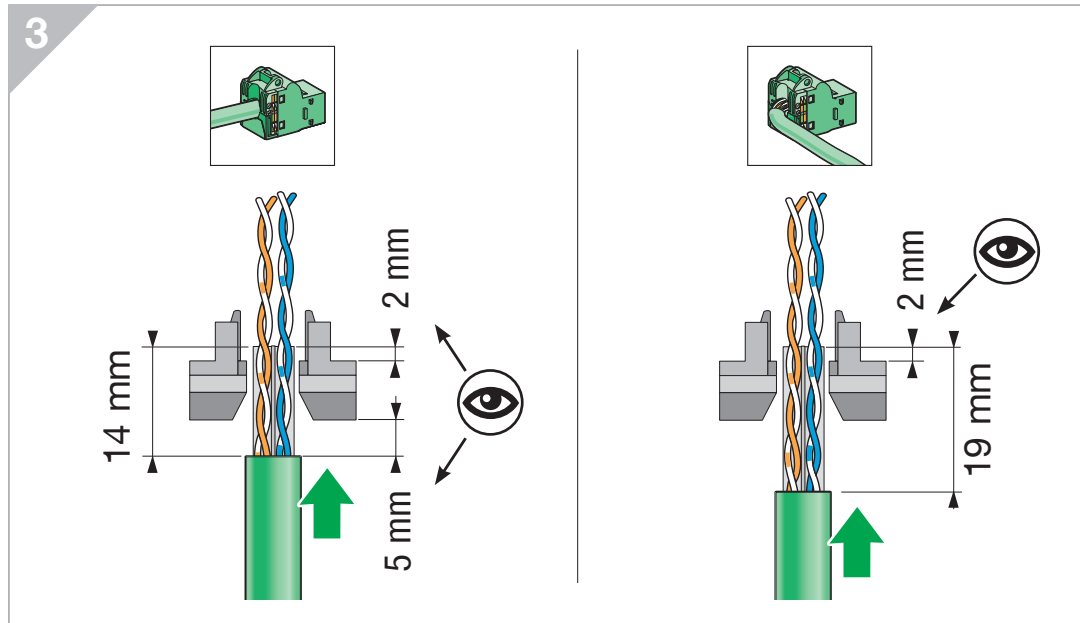
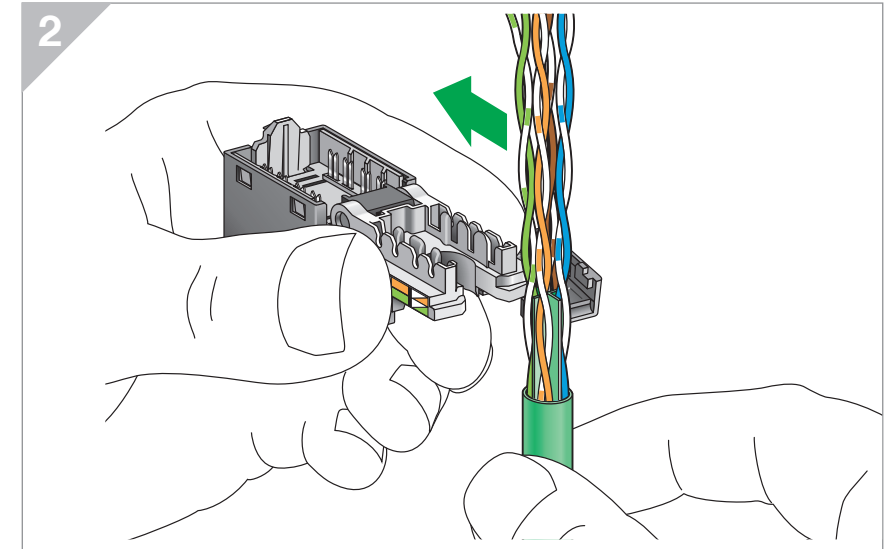
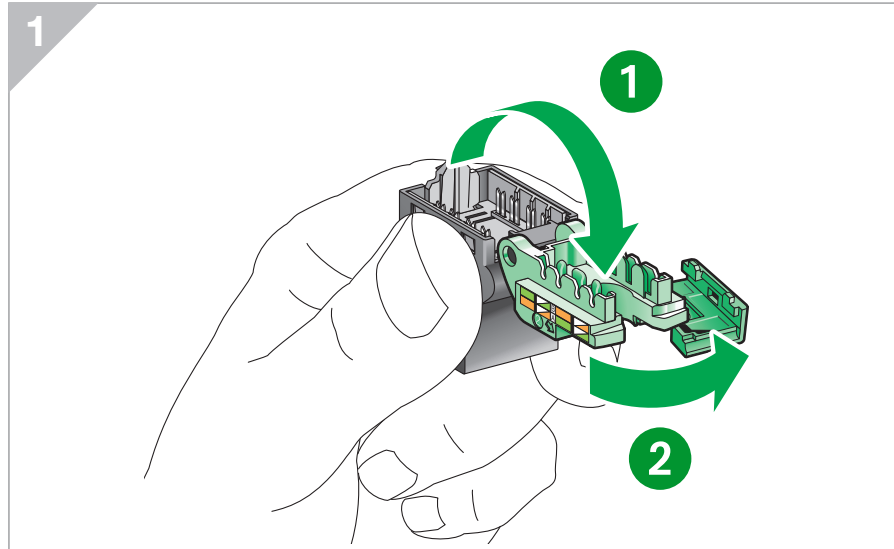
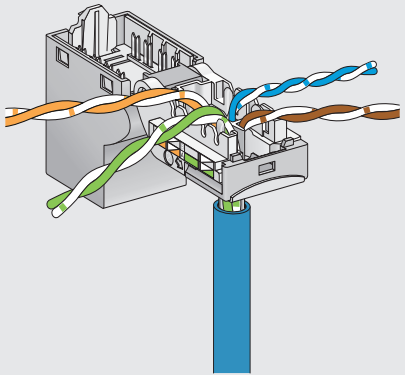
Cable preparation

U/UTP



Connector wiring

U/UTP

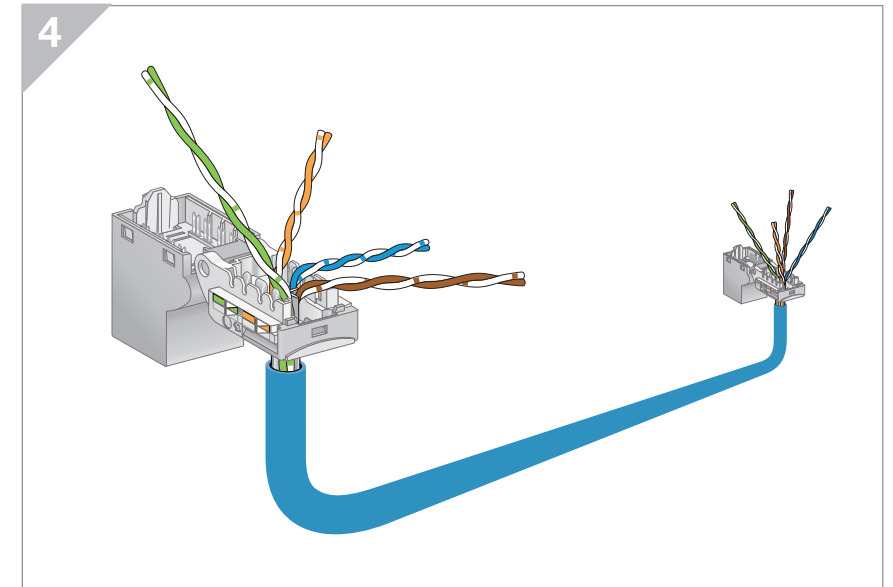
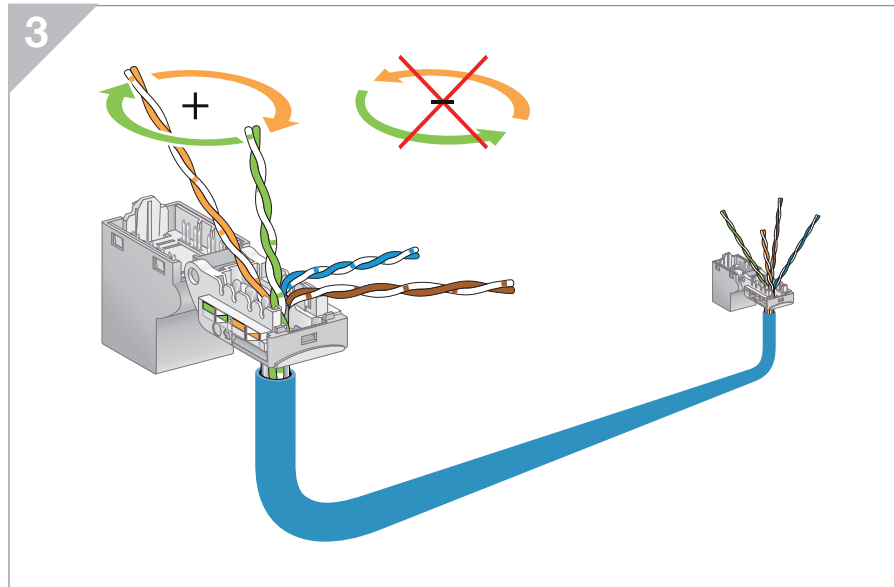
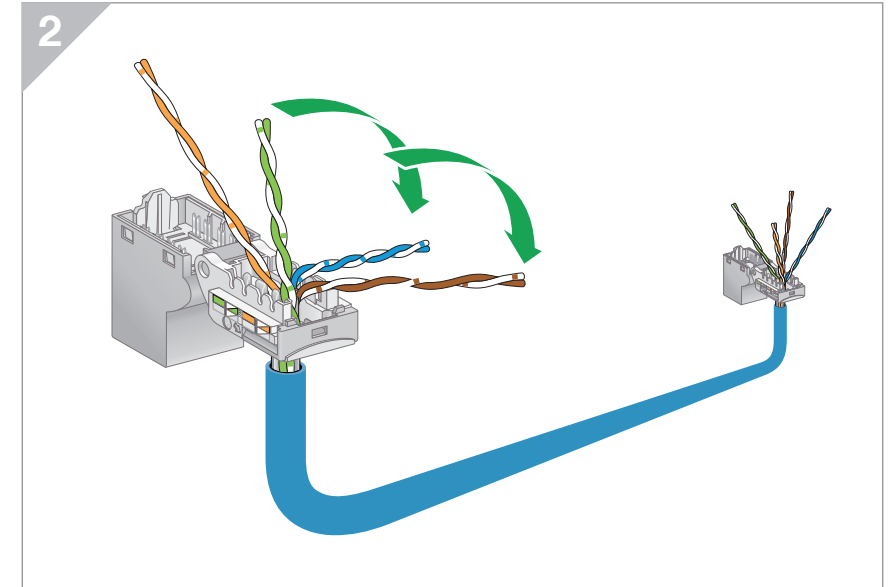
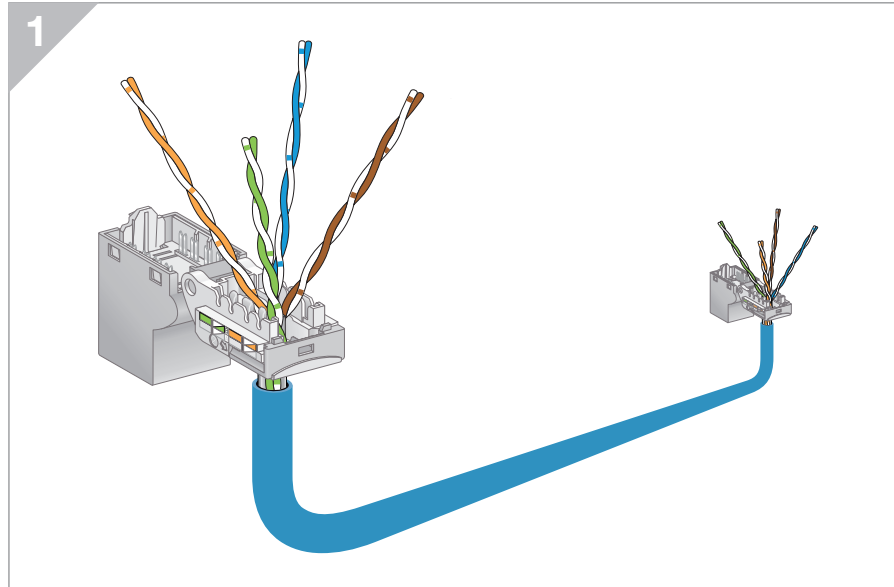
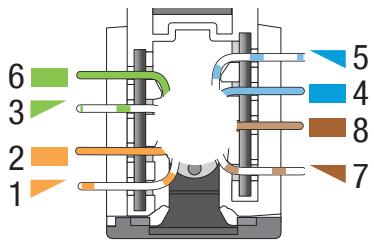


Pairs crossing

U/UTP

How to prepare a U/UTP cable 7 mm with EIA-TIA 568B to reach high performance

EIA-TIA 568B (100Ω)

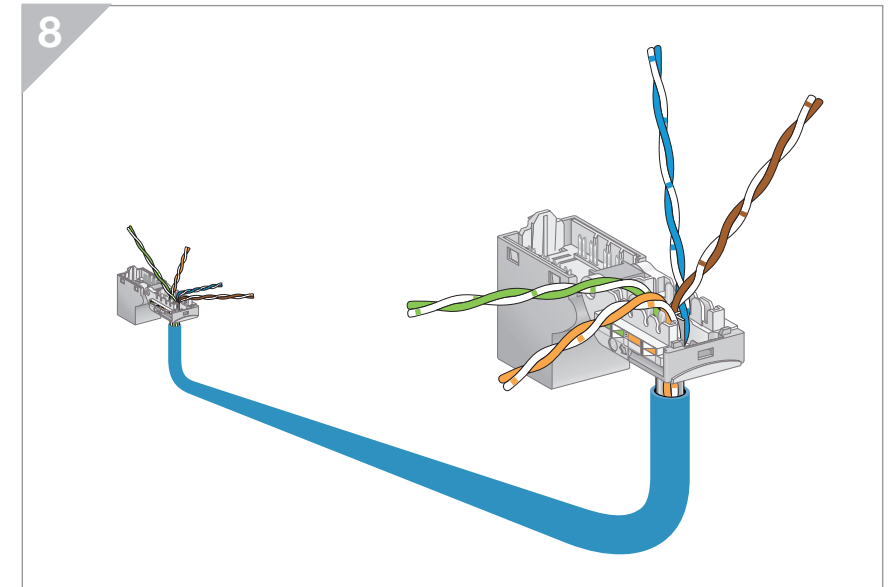
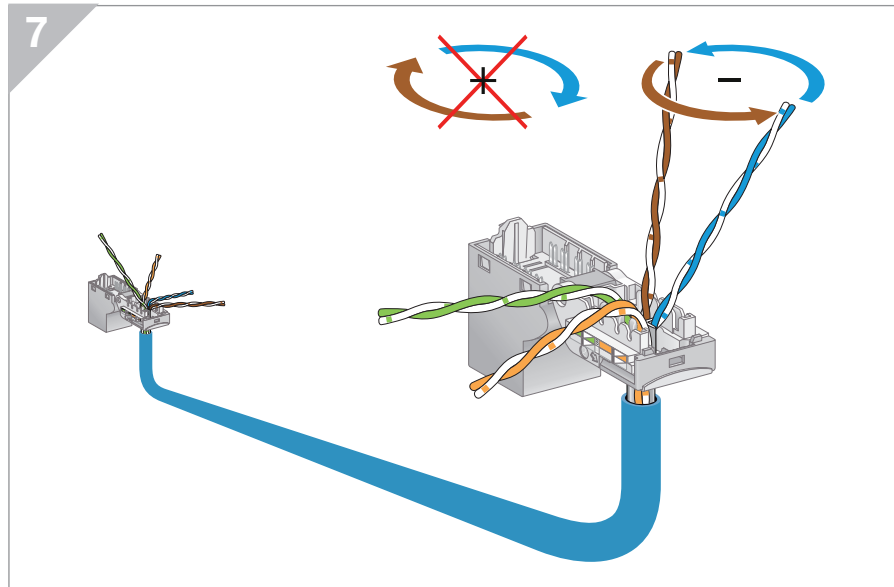
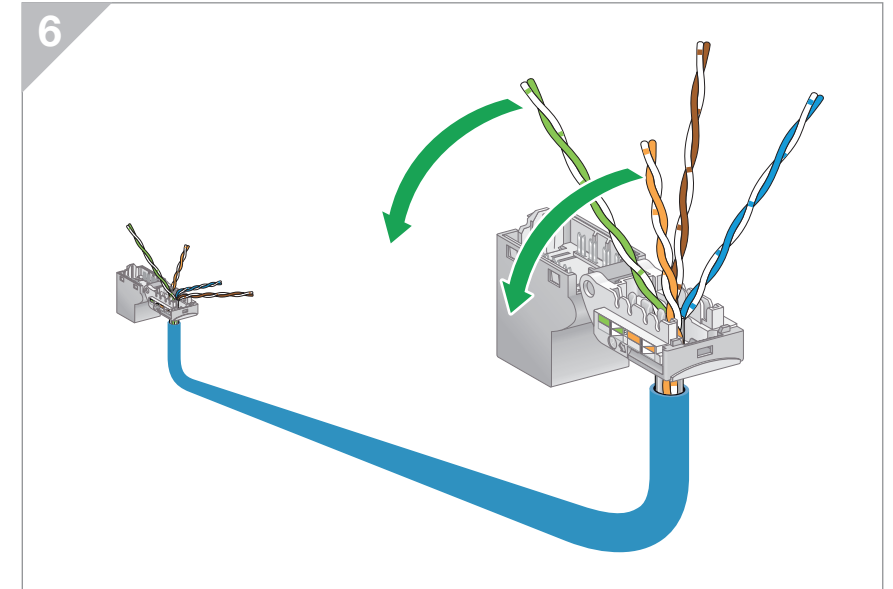
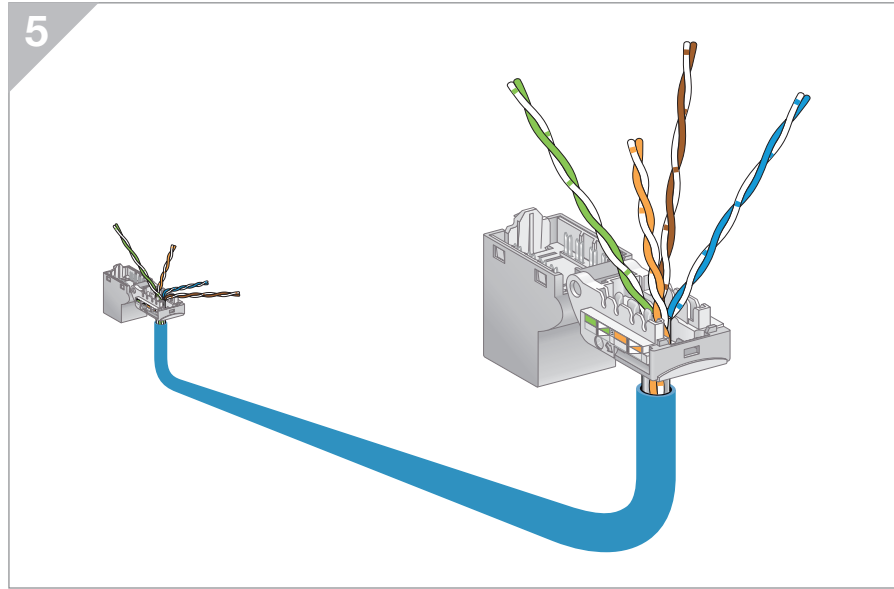
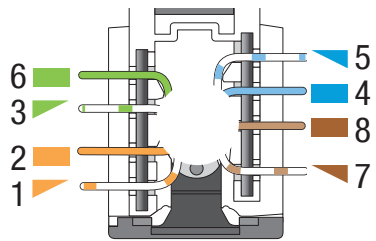


Pairs crossing

U/UTP

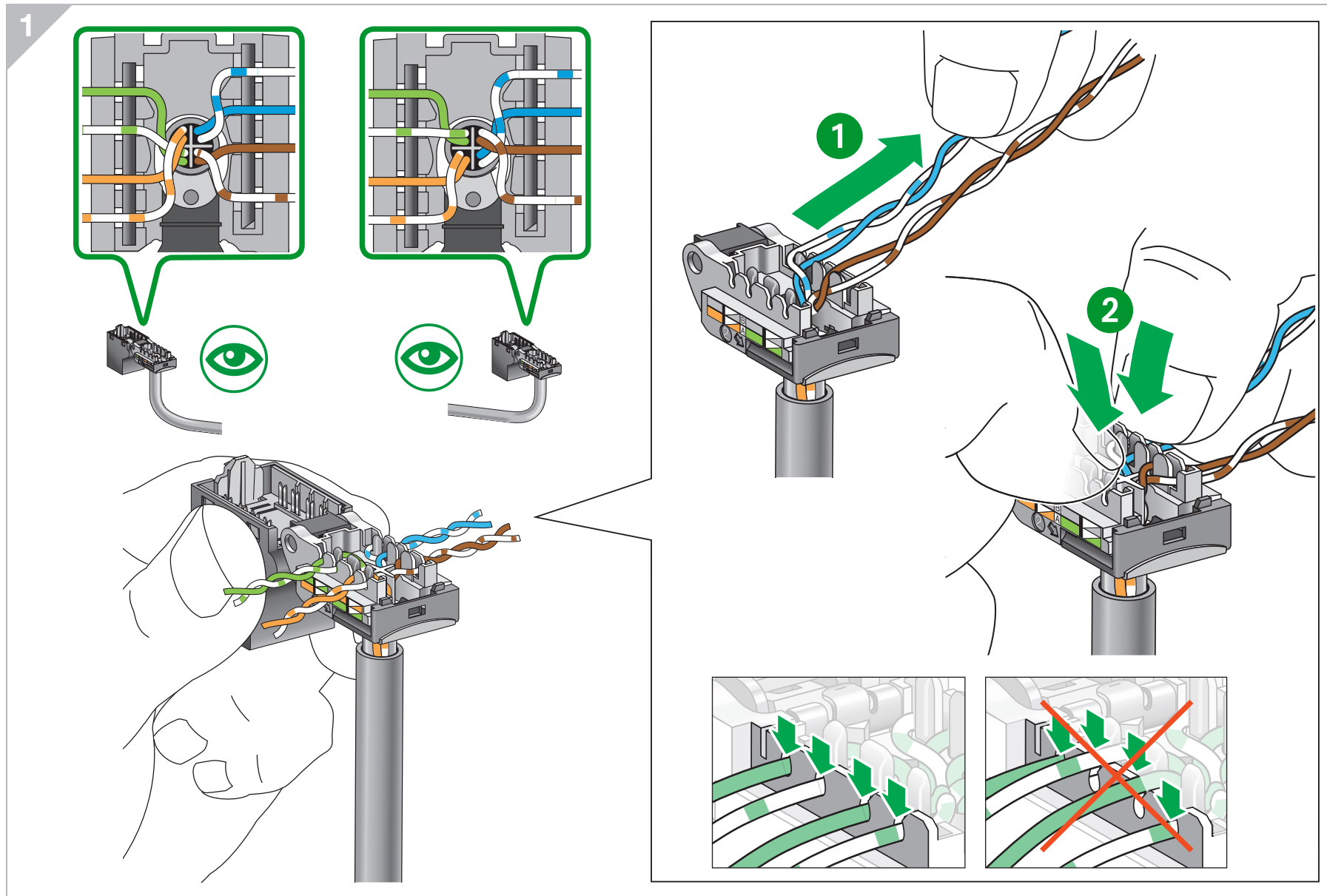
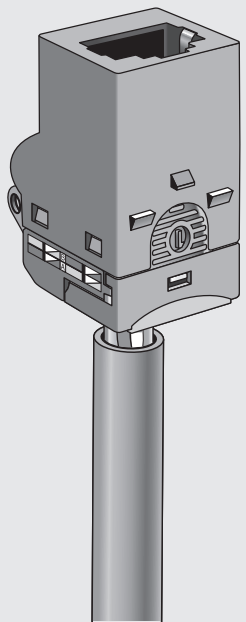
How to prepare a U/UTP cable 7 mm with EIA-TIA 568B to reach high performance

EIA-TIA 568B (100Ω)



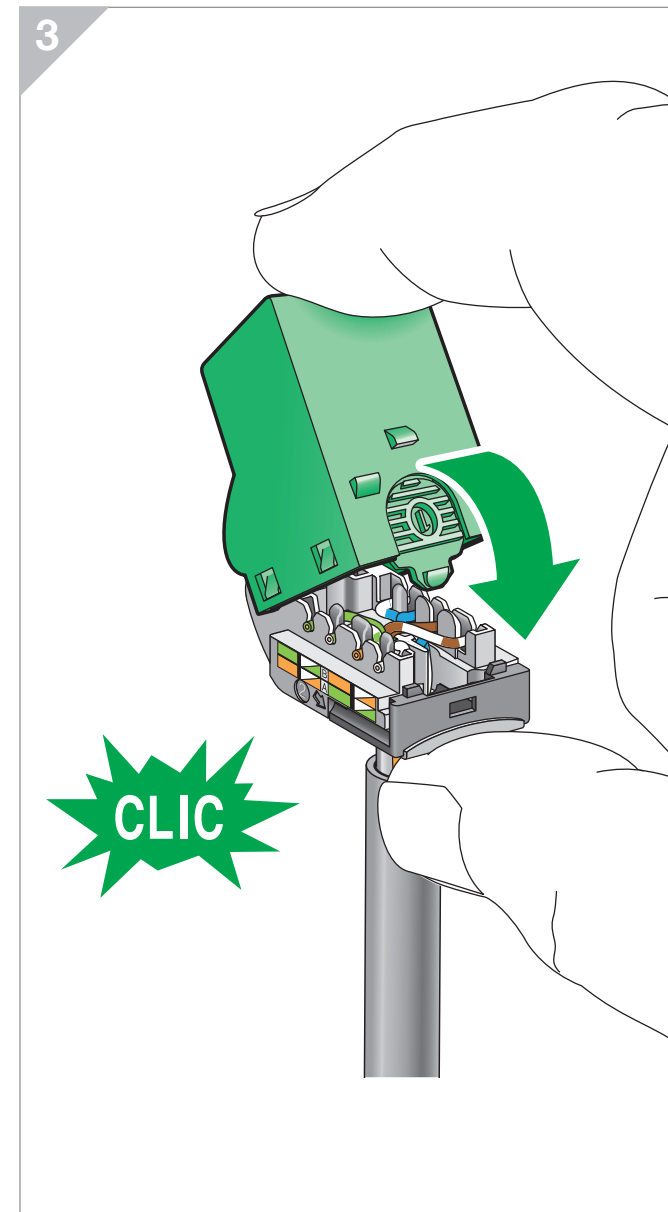
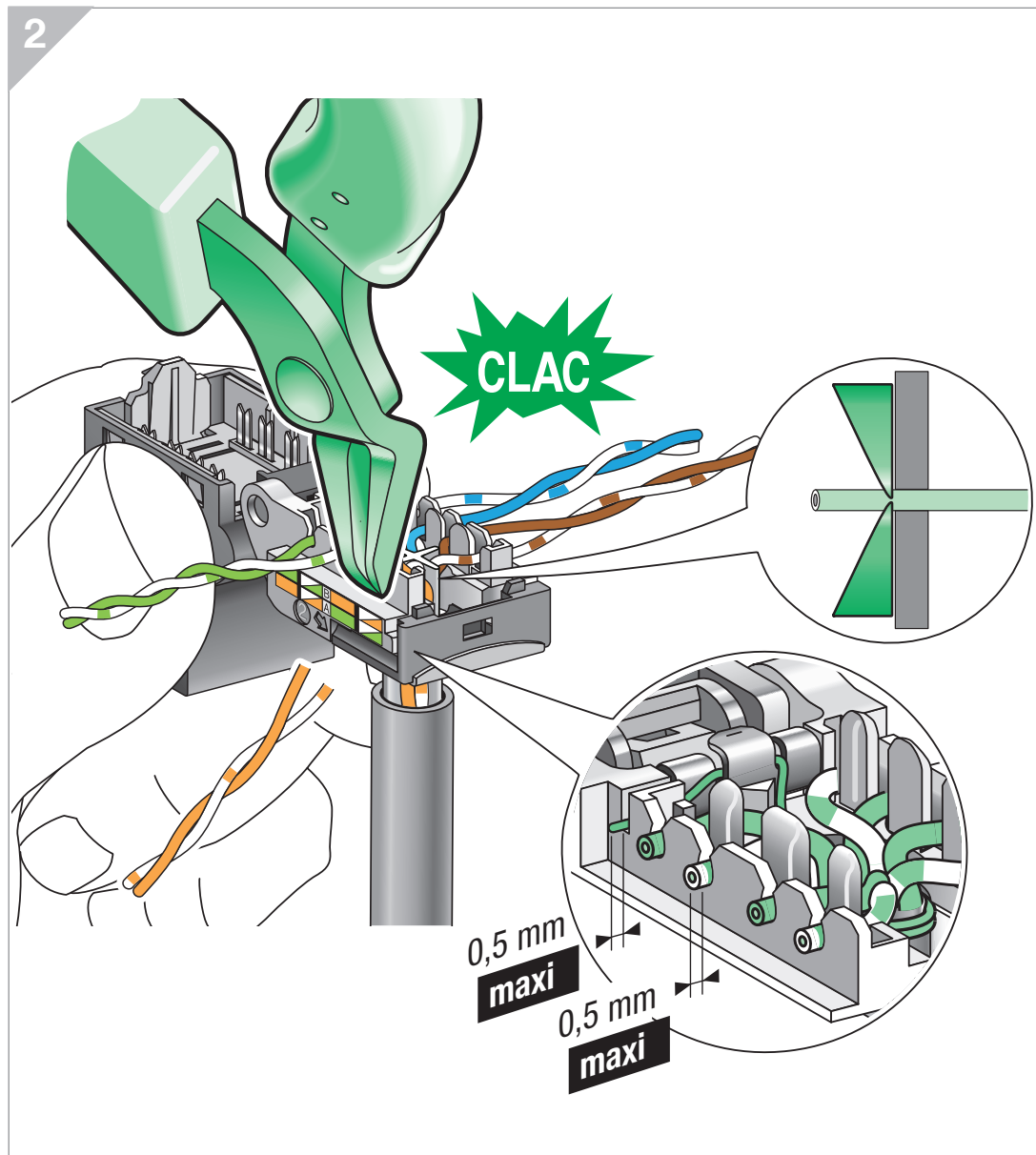
Connector connection

U/UTP



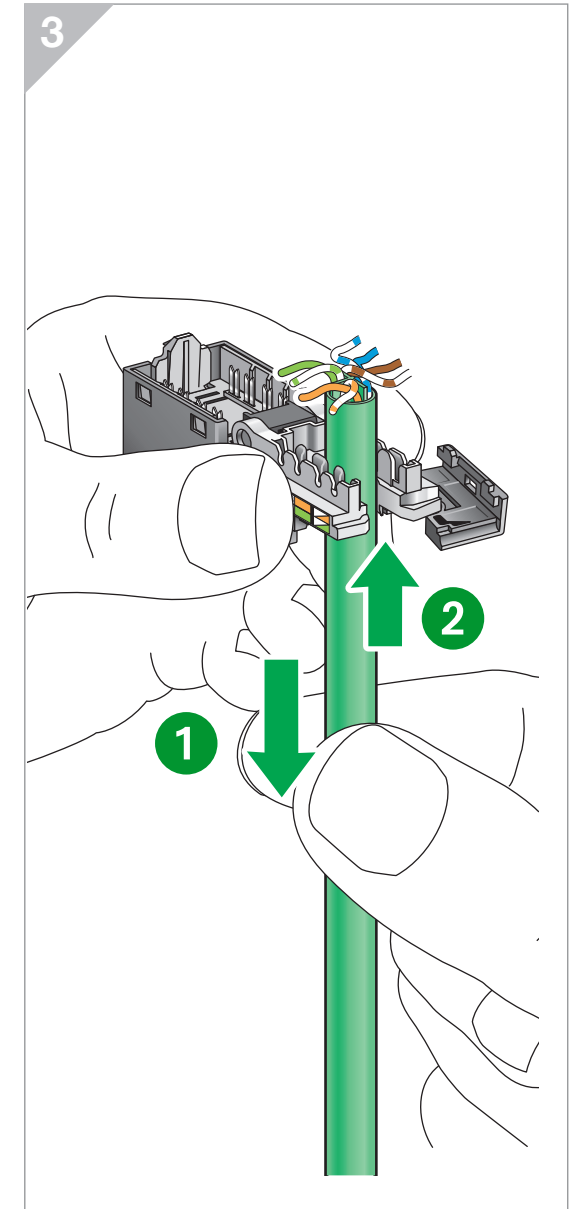
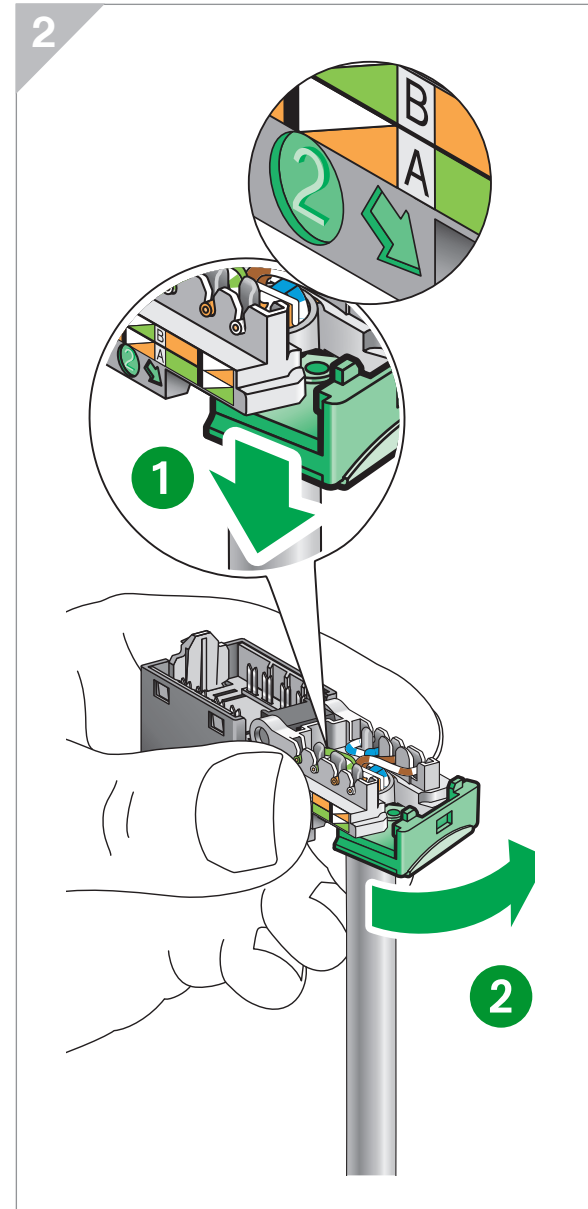
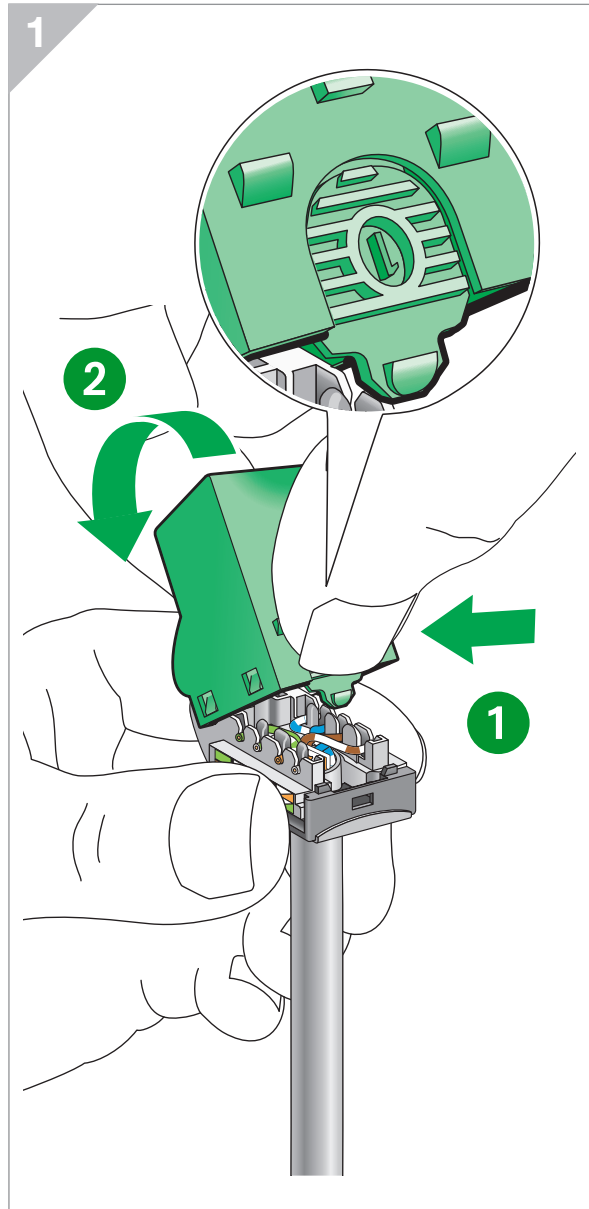
Connector connection

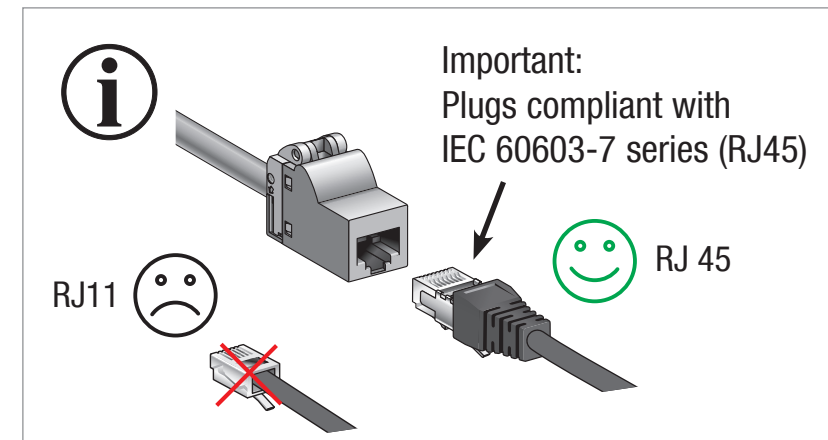
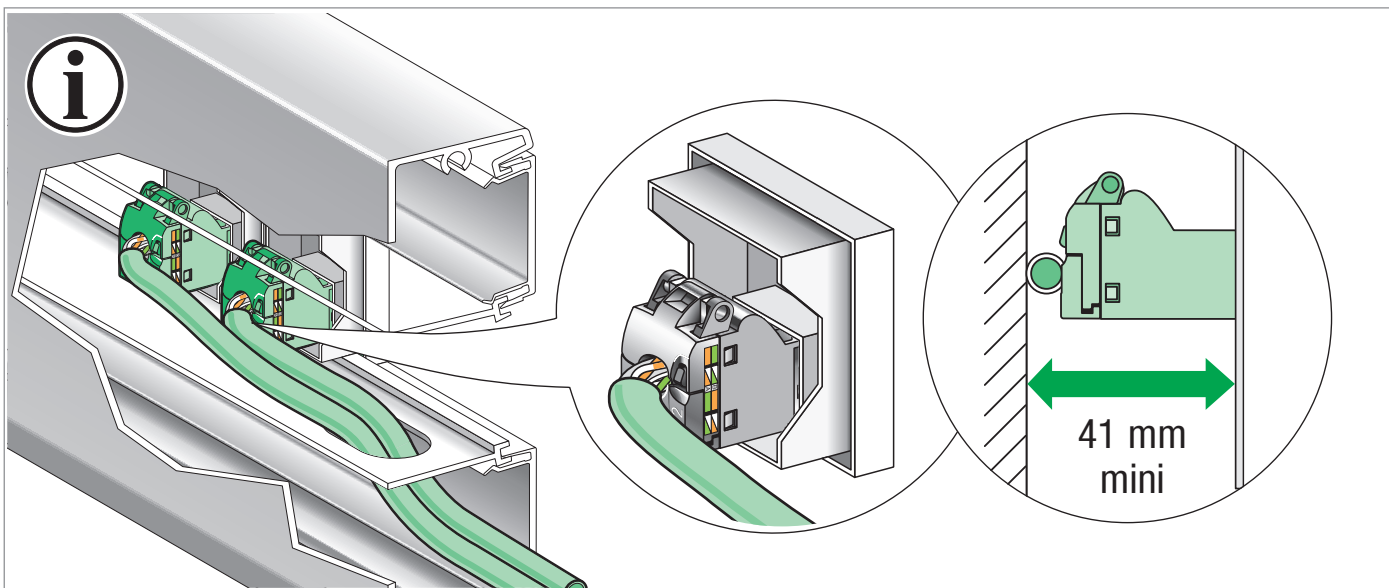
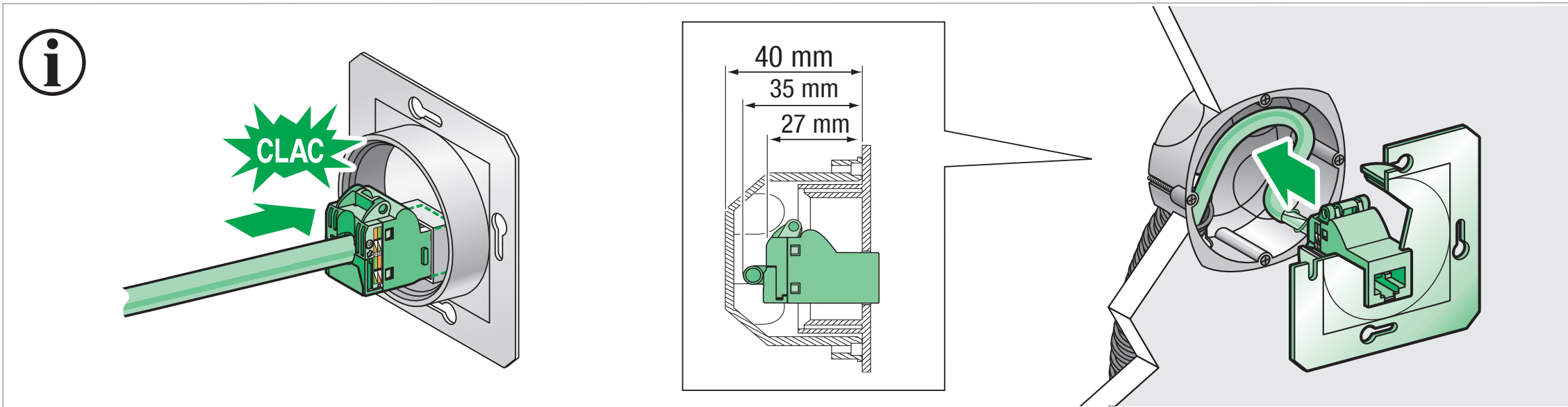
U/UTP



Connector disconnection

U/UTP

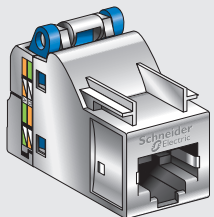




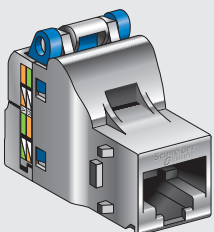
Composition

Shielded connector

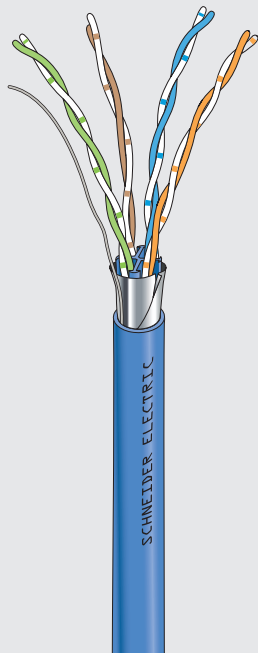
S-One



S-One DPM

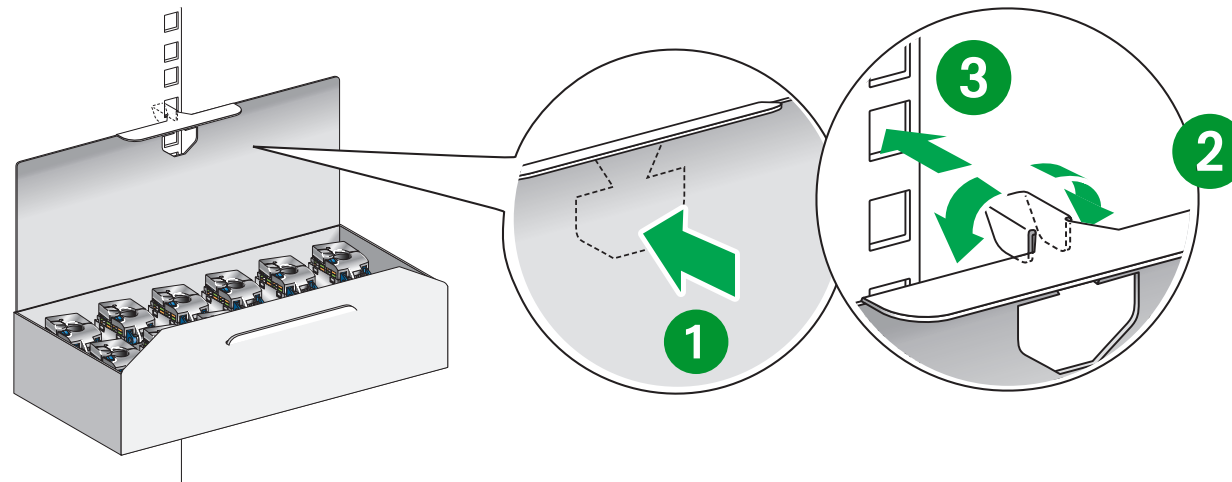
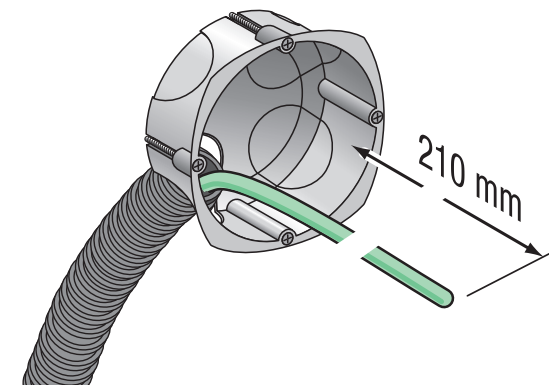


F/UTP



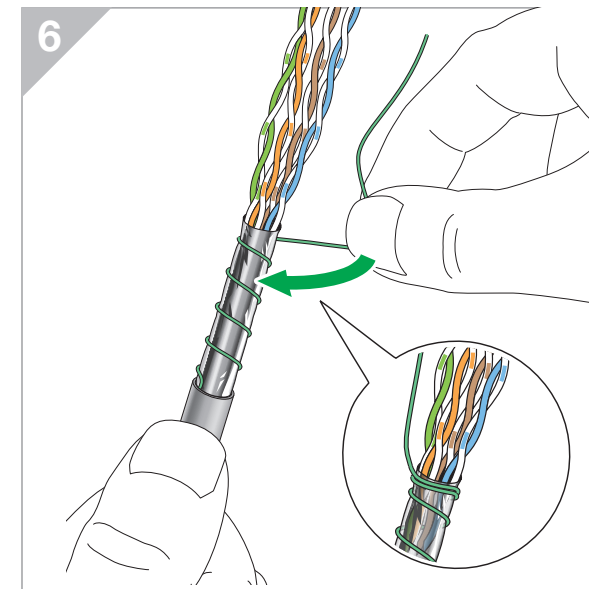
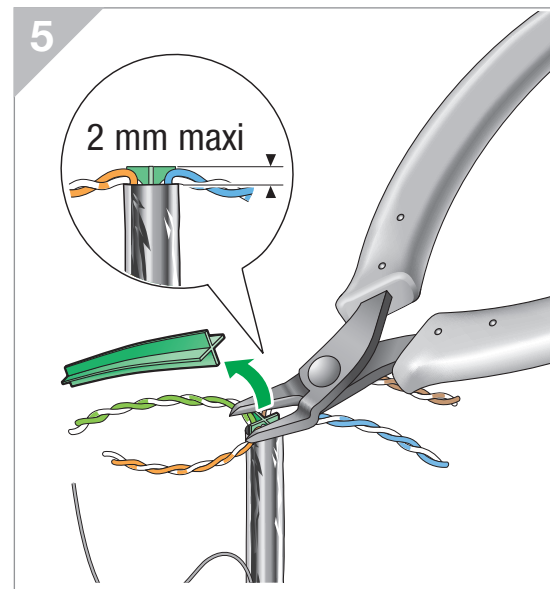
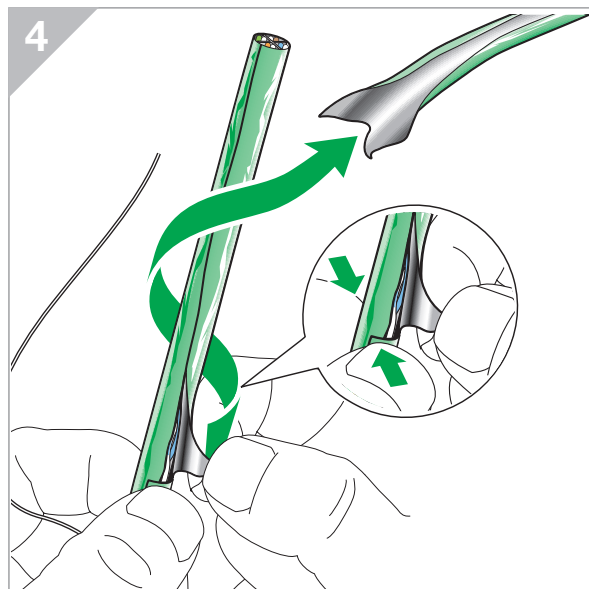
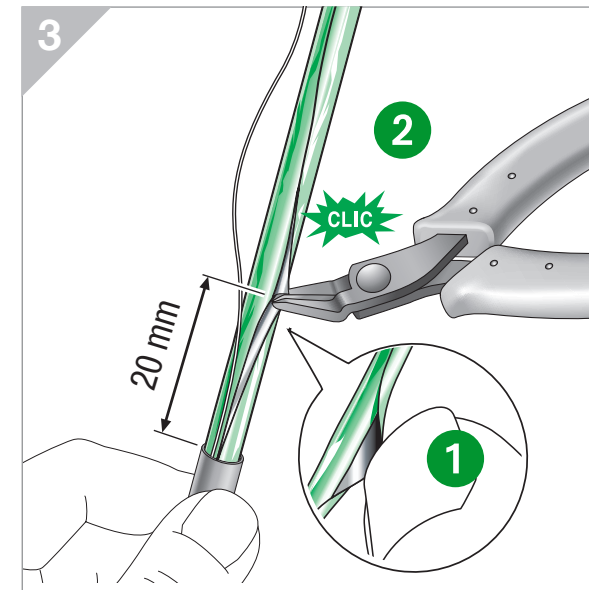
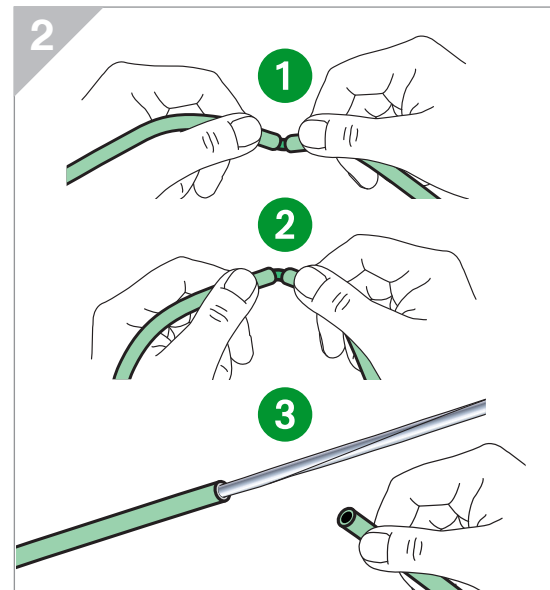
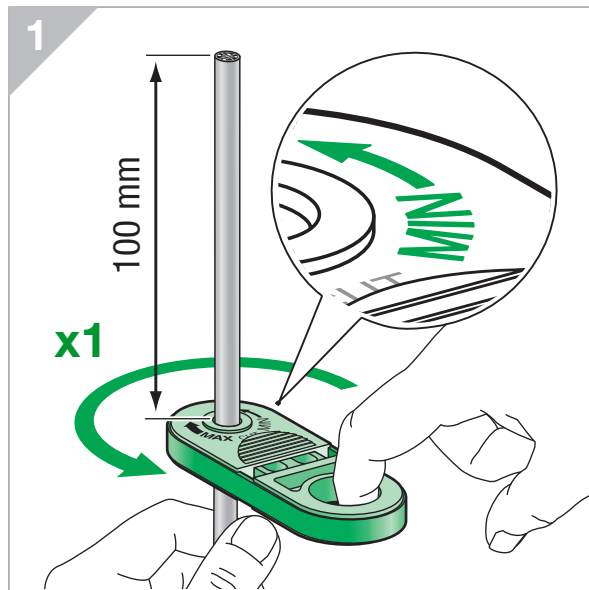
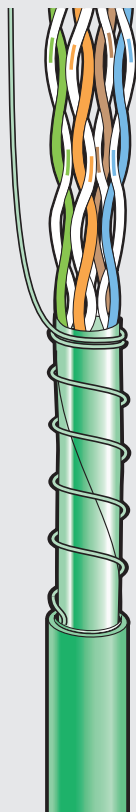
VDIR580020

x1



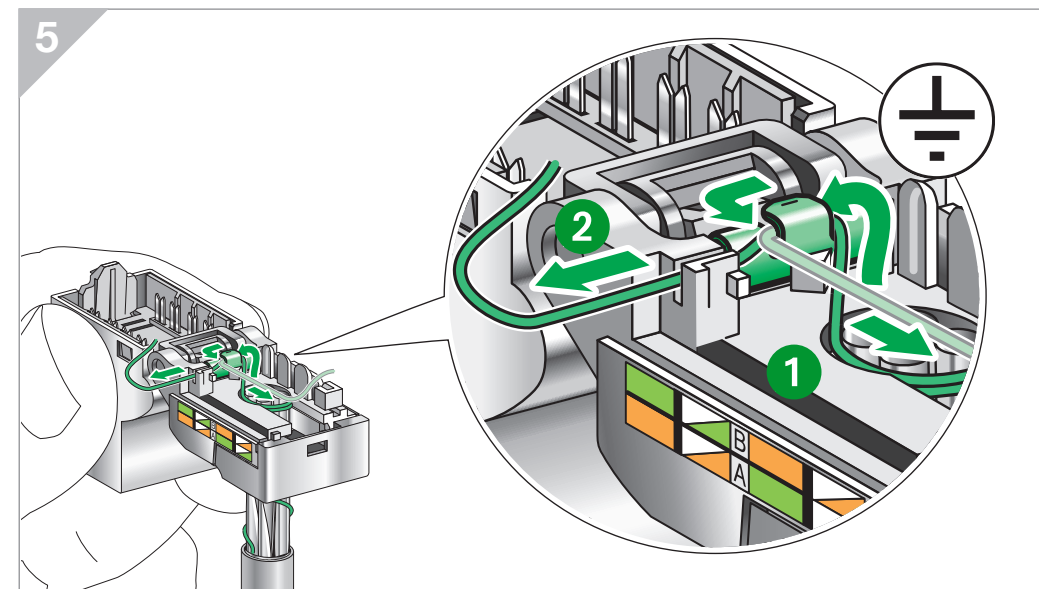
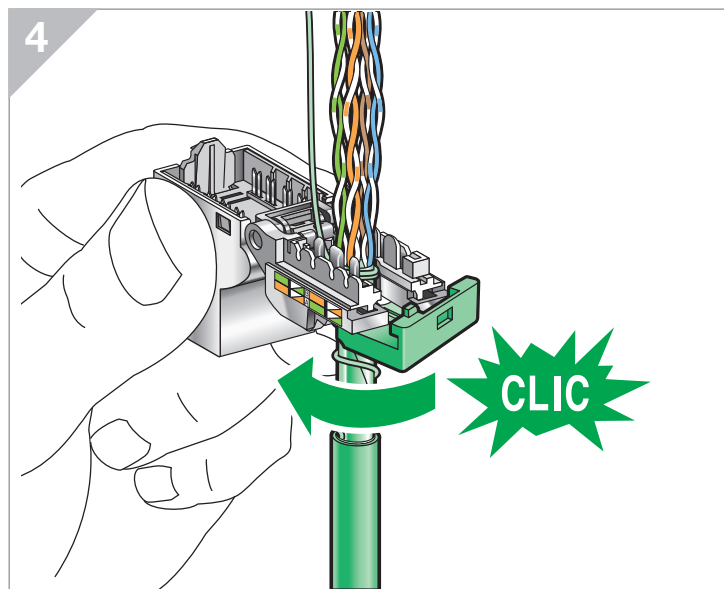
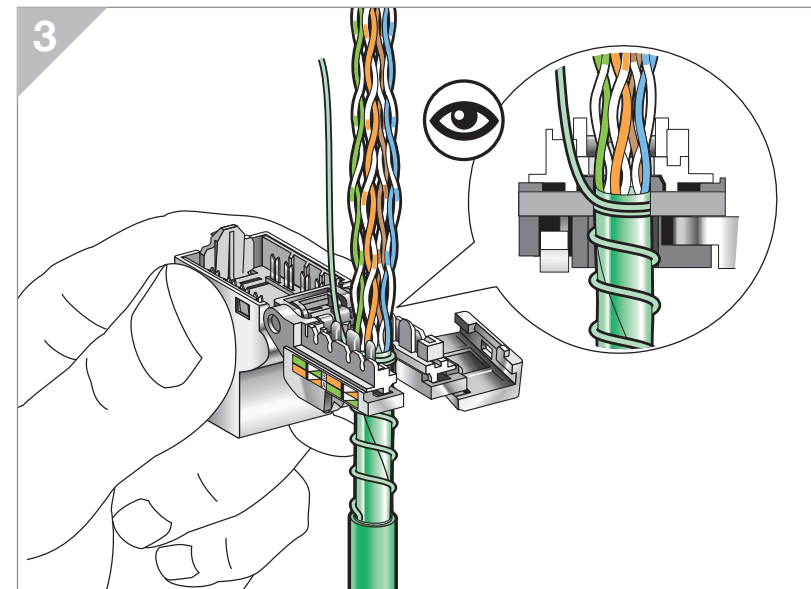
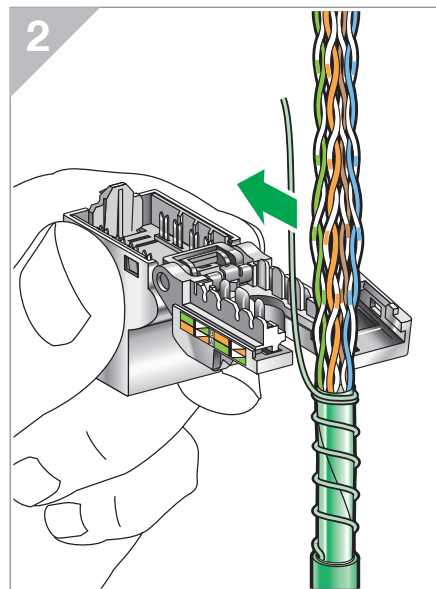
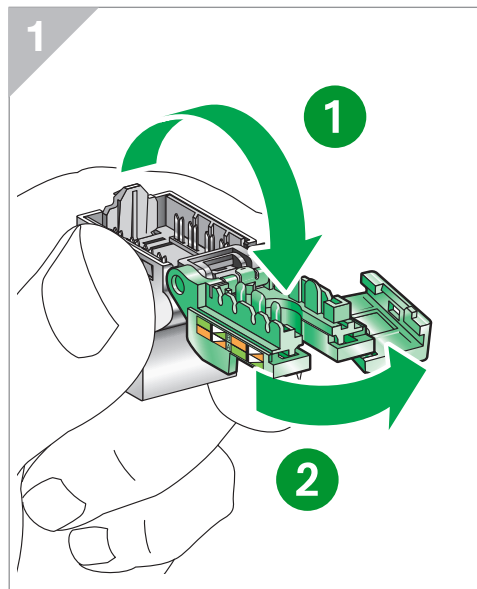
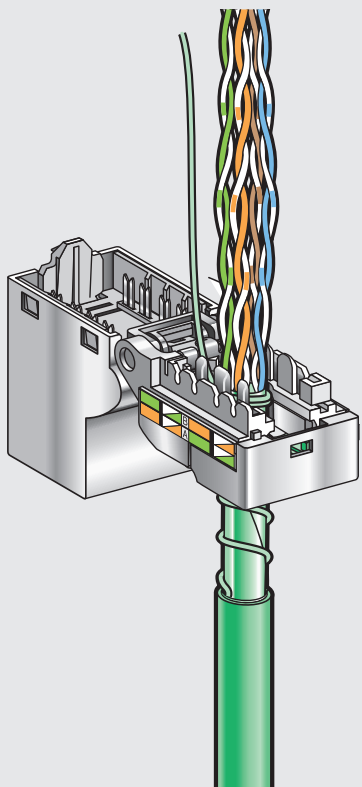
Cable preparation

F/UTP



Connector wiring

F/UTP

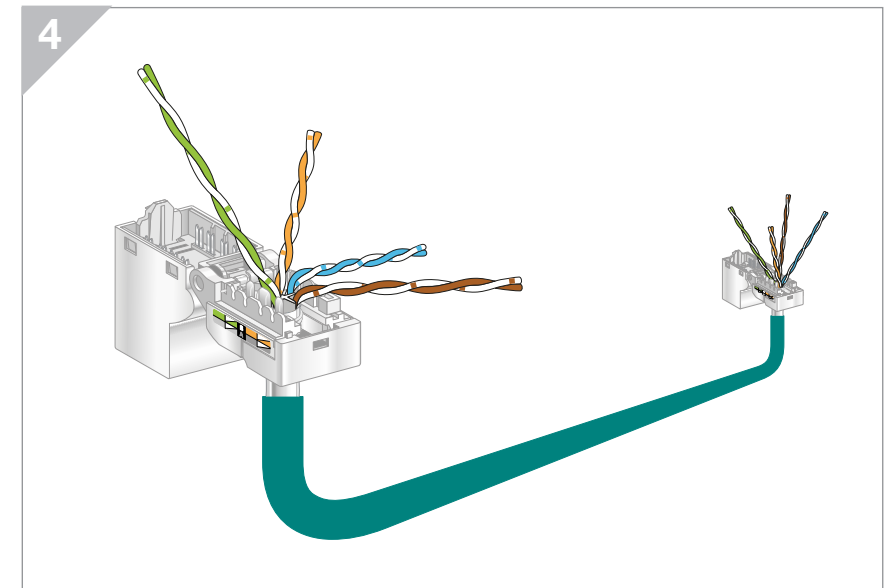
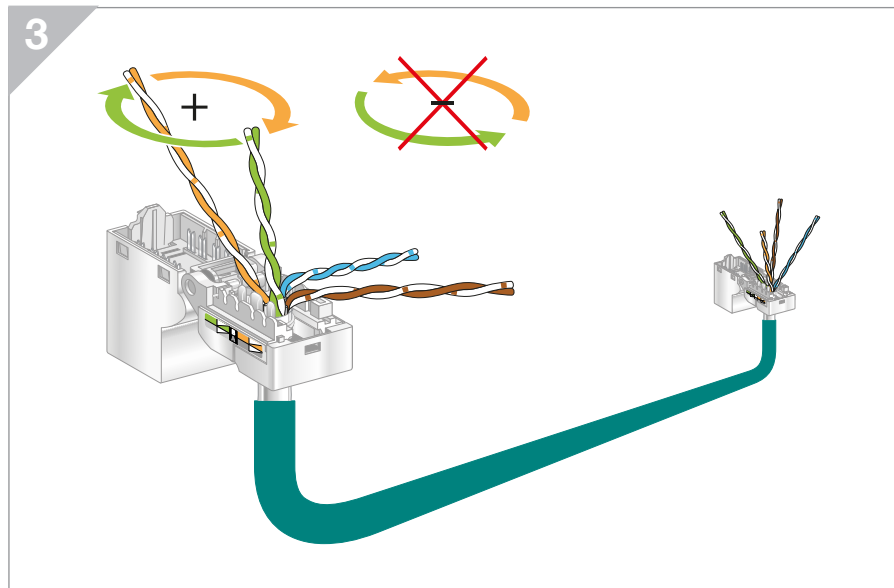
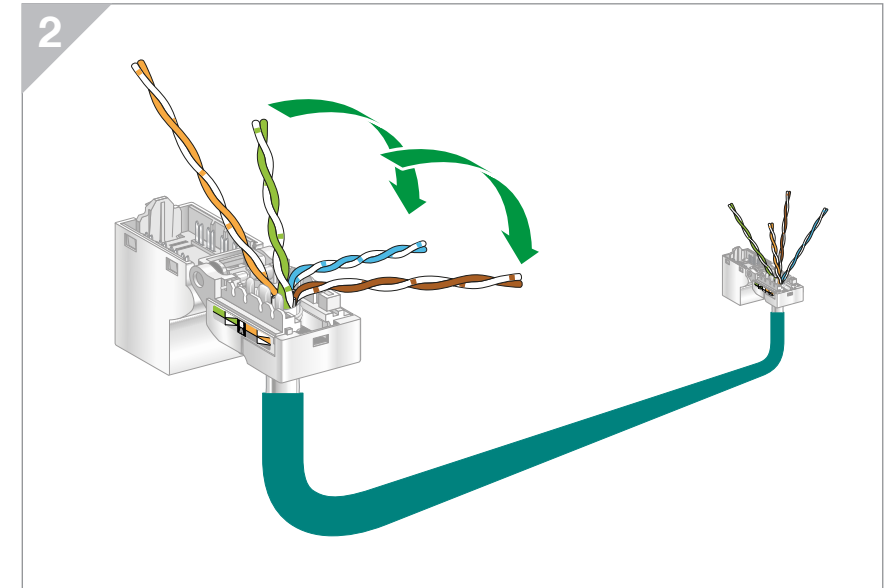
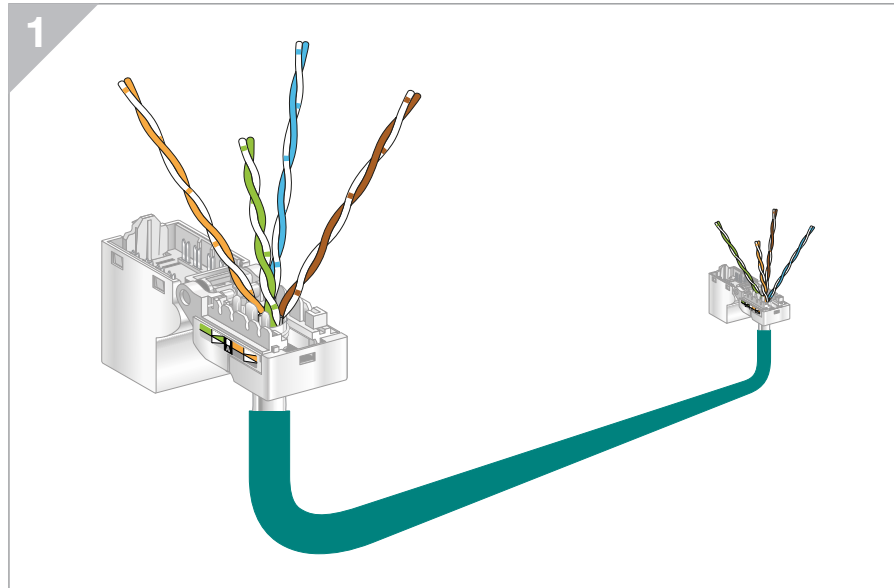
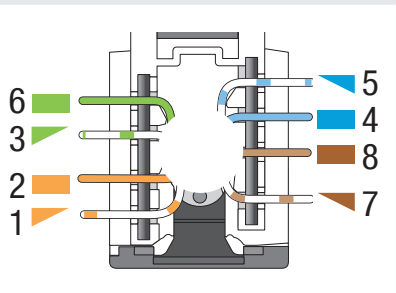


Pairs crossing

F/UTP

How to prepare a F/UTP cable with EIA-TIA 568B to reach high performance

EIA-TIA 568B (100Ω)

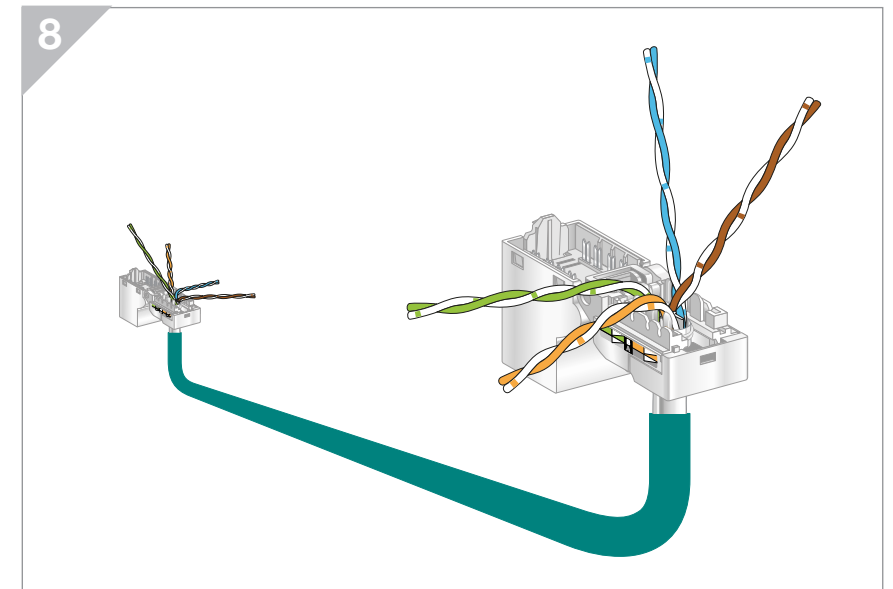
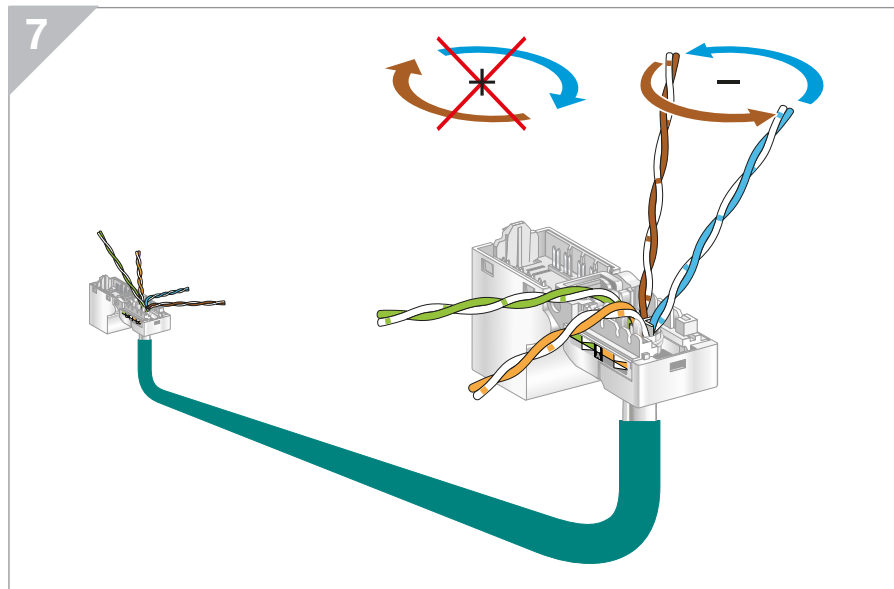
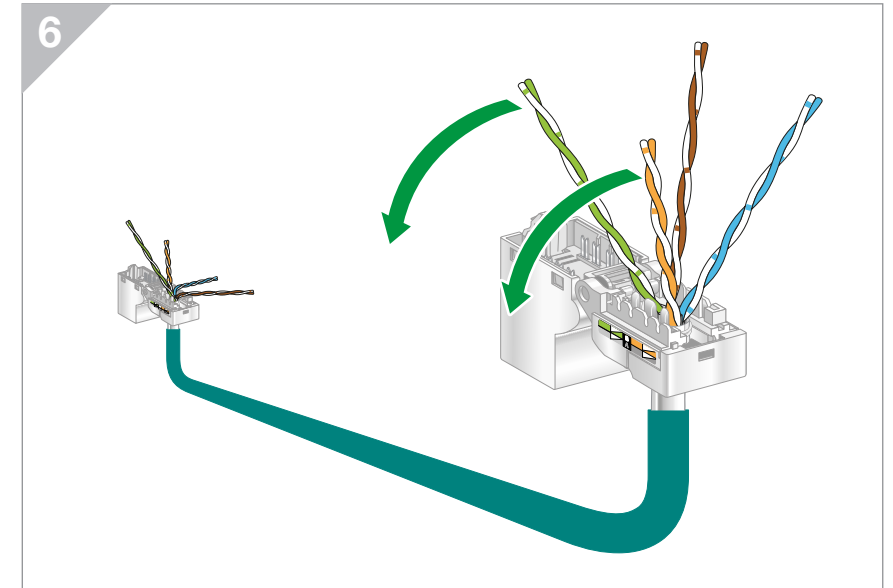
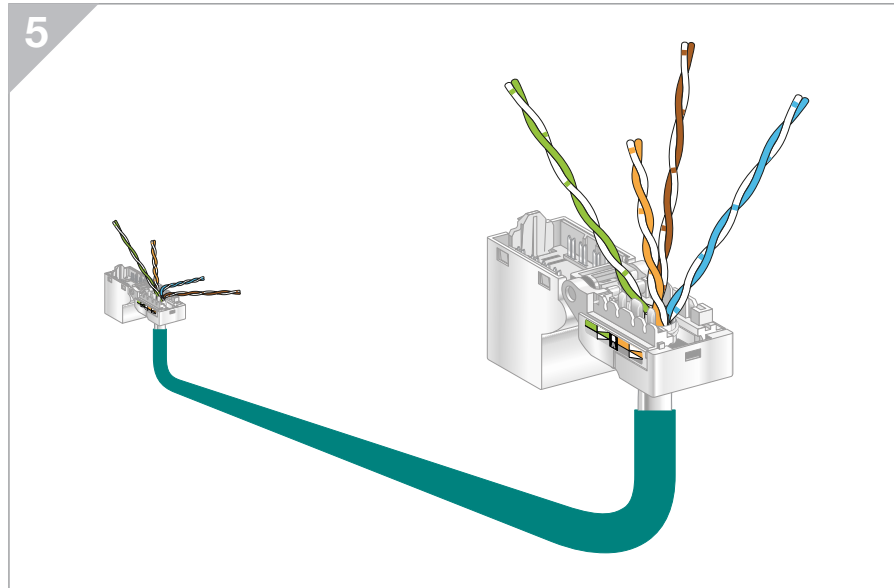
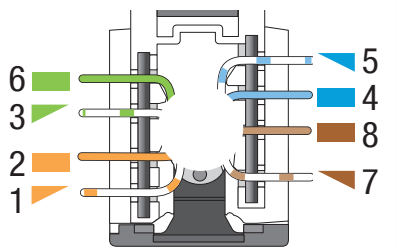


Pairs crossing

F/UTP

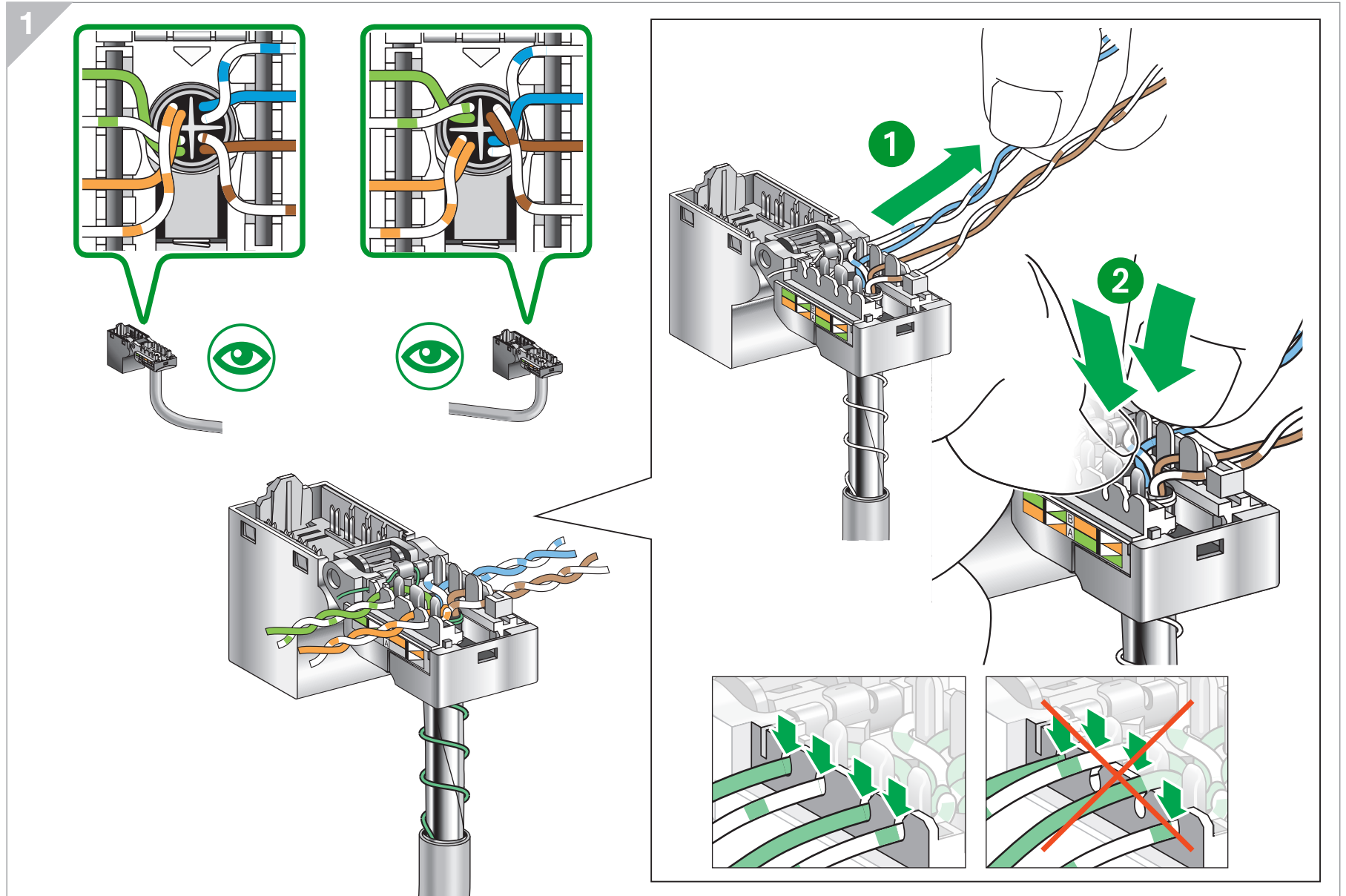
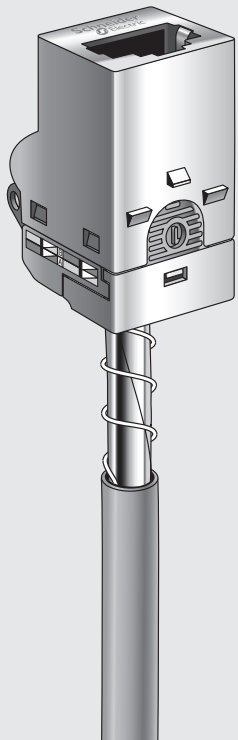
How to prepare a F/UTP cable with EIA-TIA 568B to reach high performance

EIA-TIA 568B (100Ω)



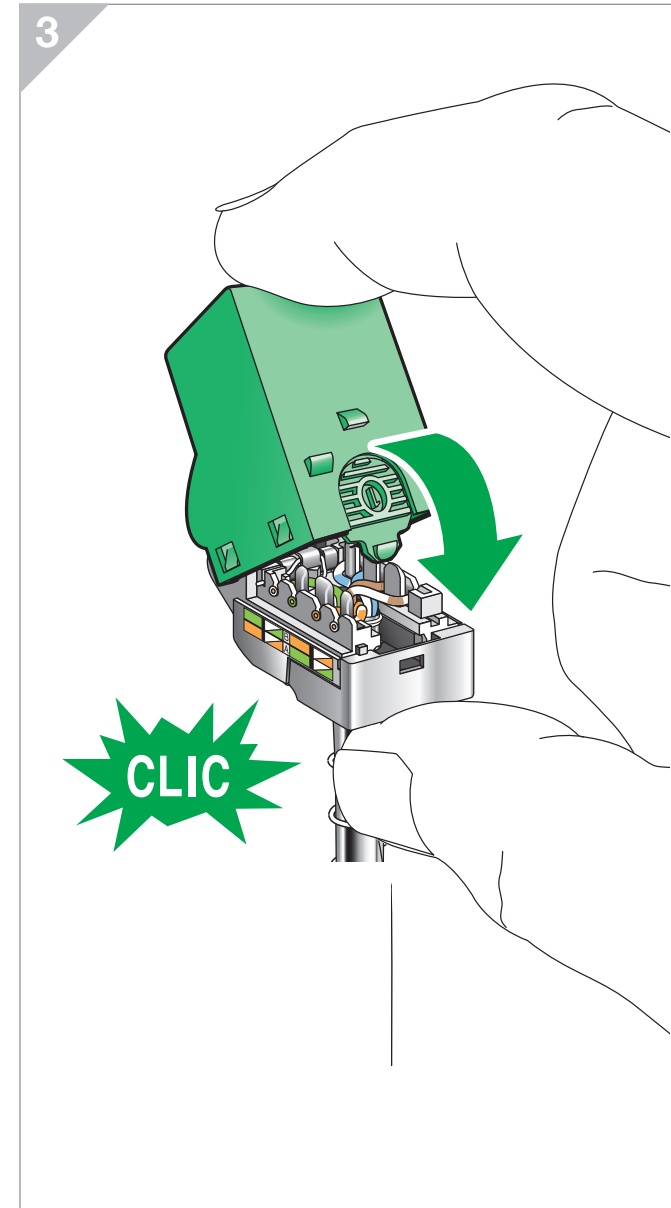
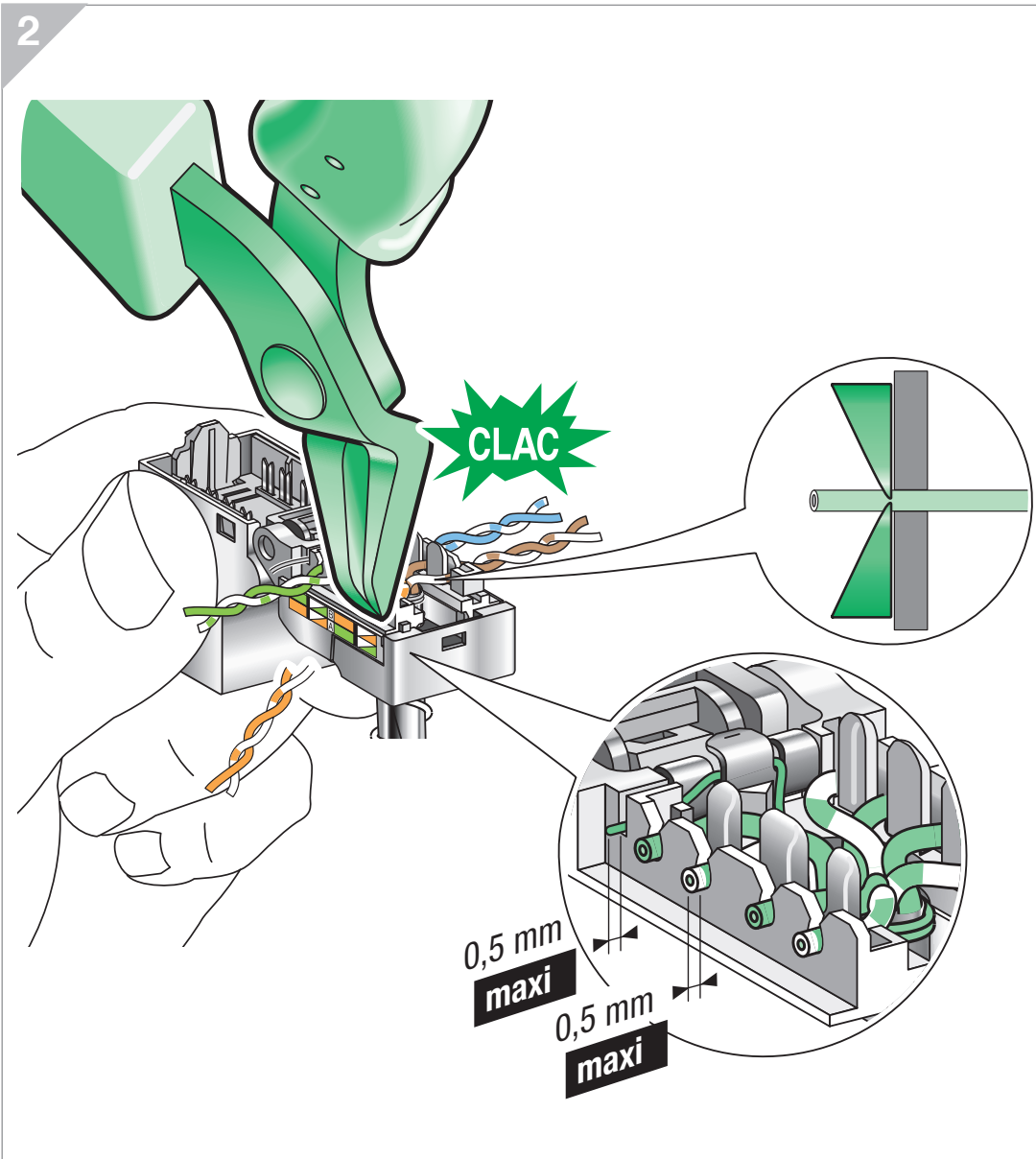
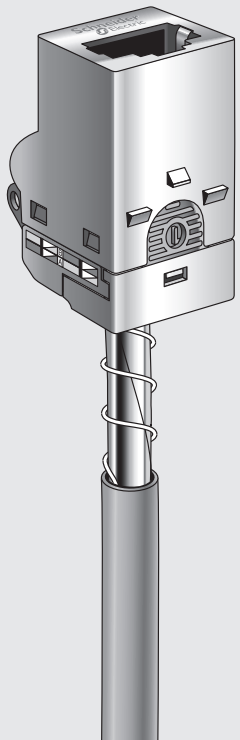
Connector connection

F/UTP



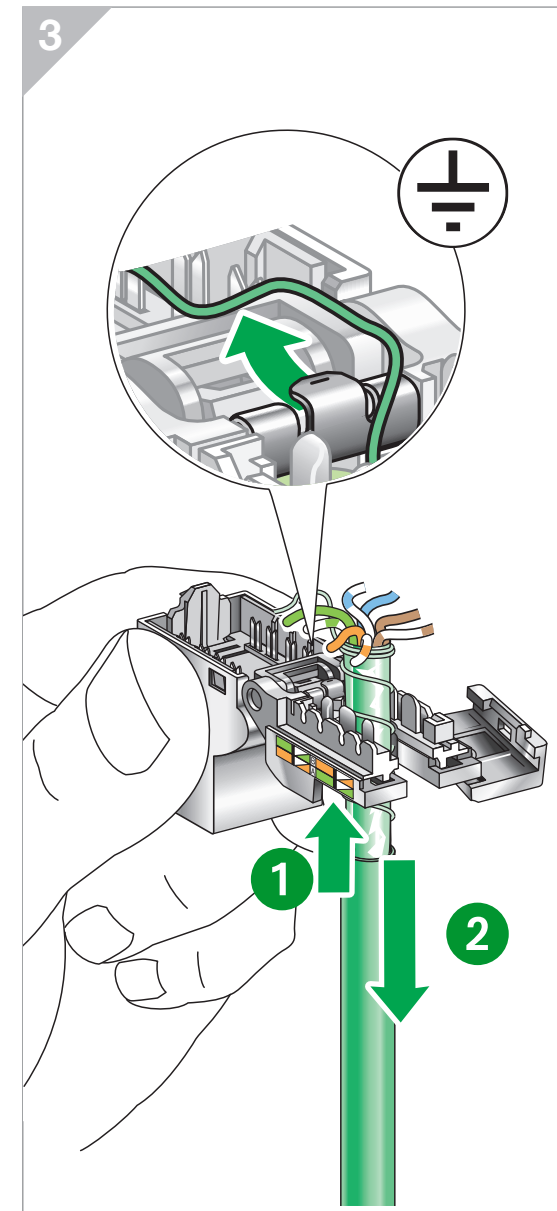
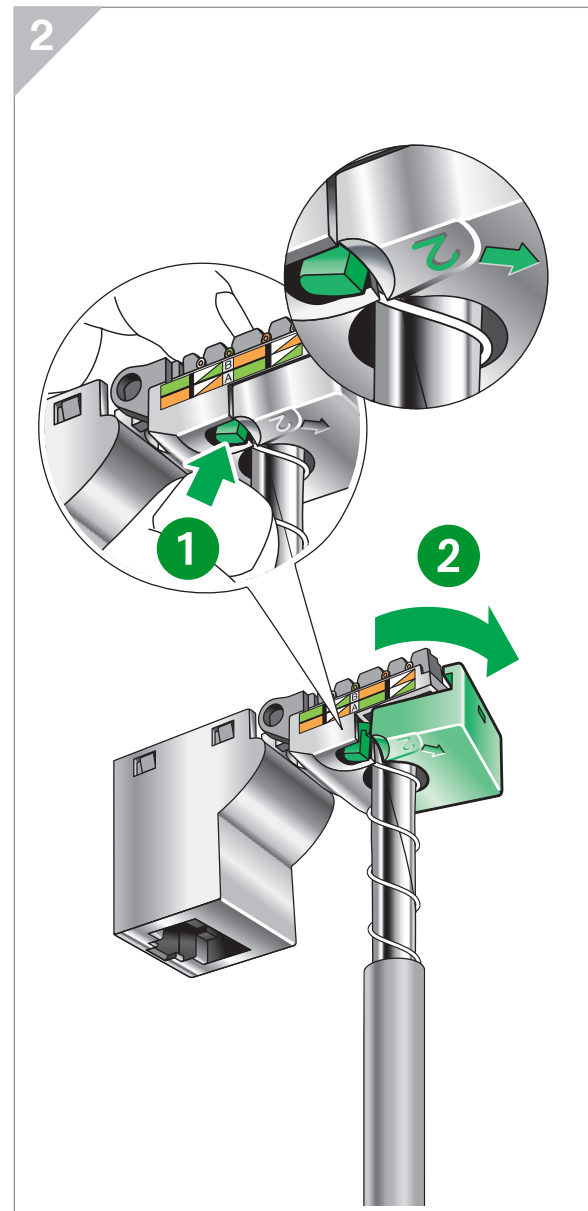
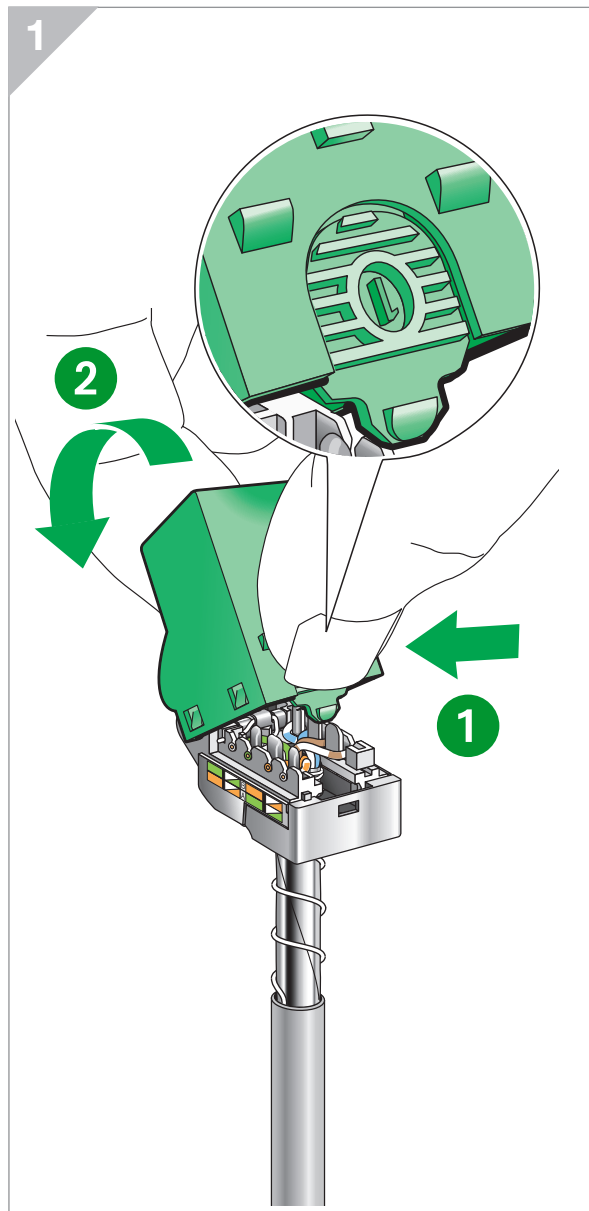
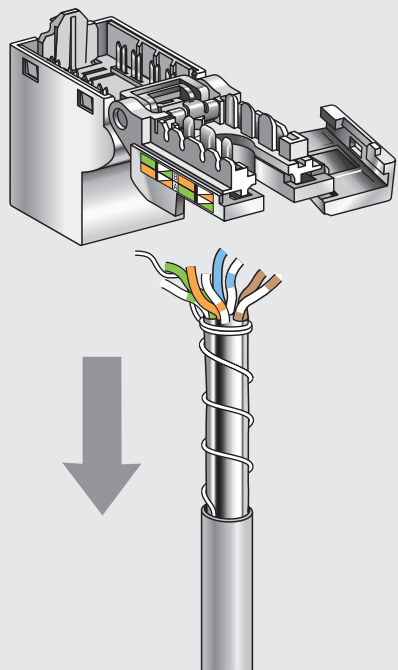
Connector connection

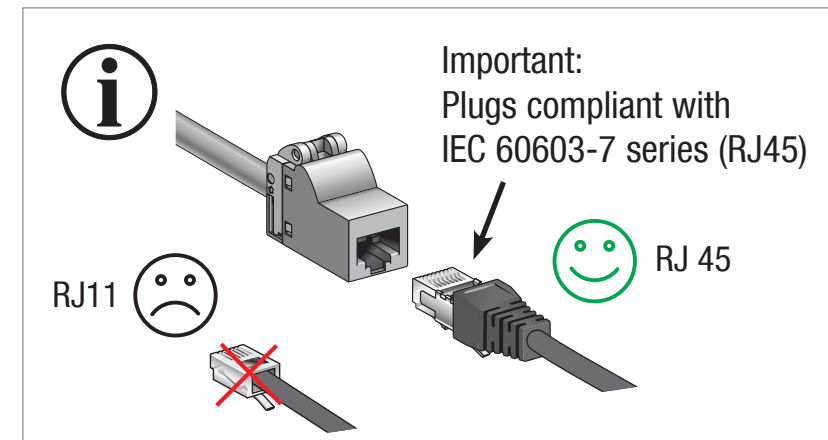
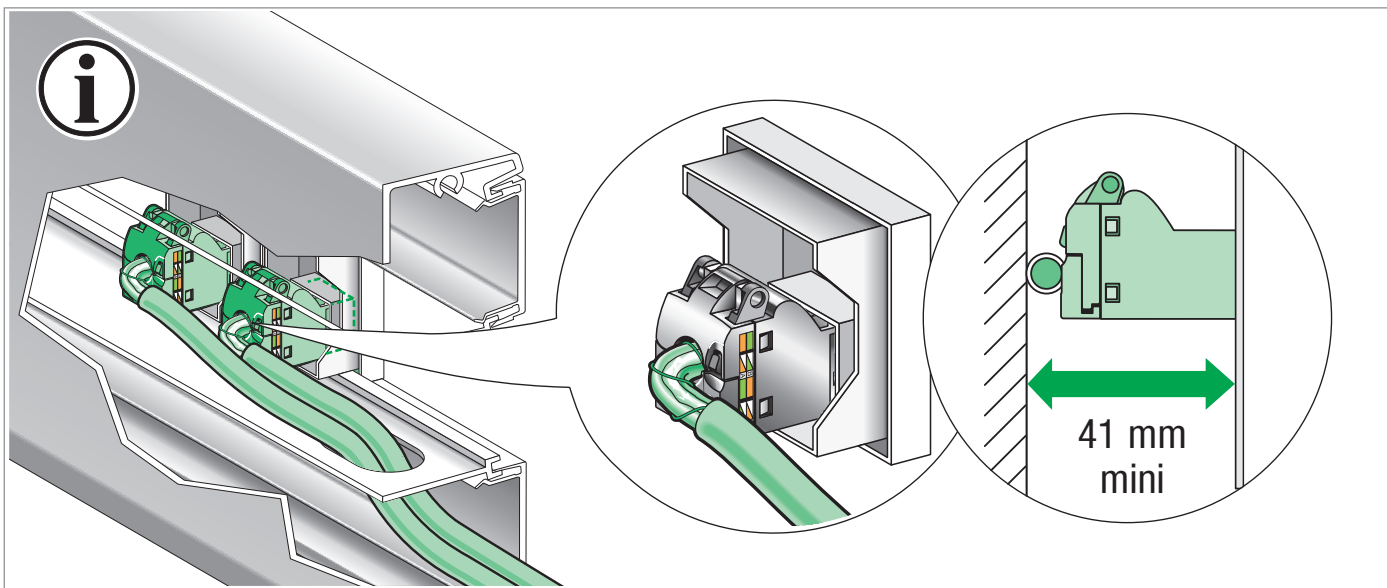
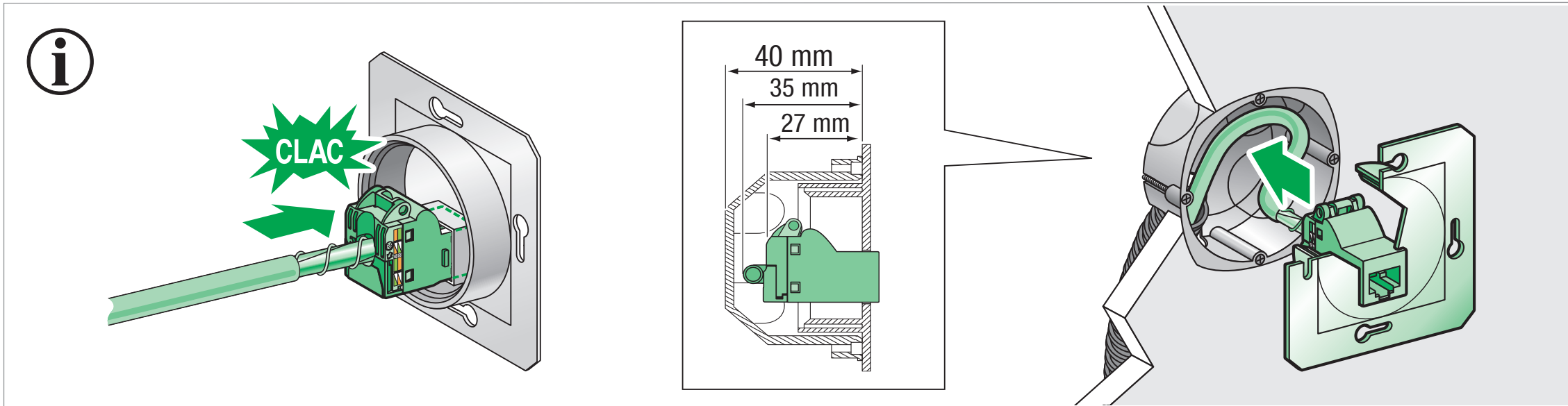
F/UTP



Connector disconnection

F/UTP

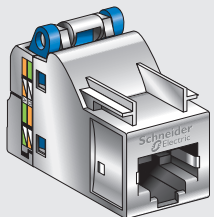




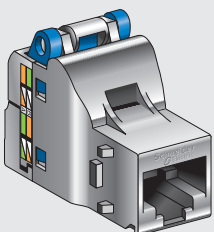
Composition

Shielded connector

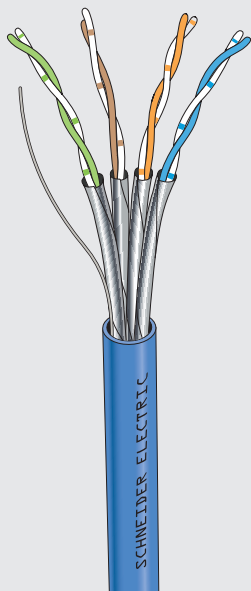
S-One



S-One DPM

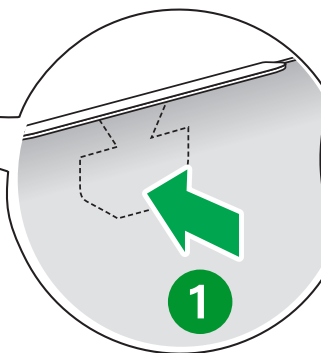
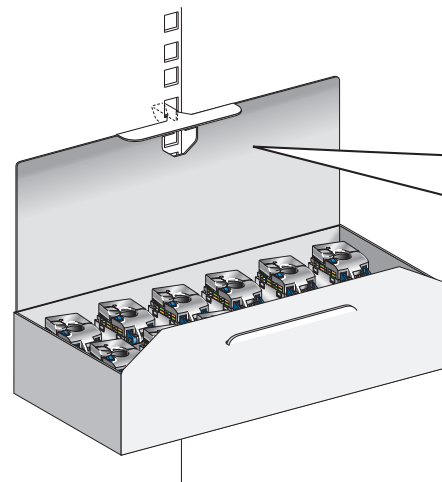
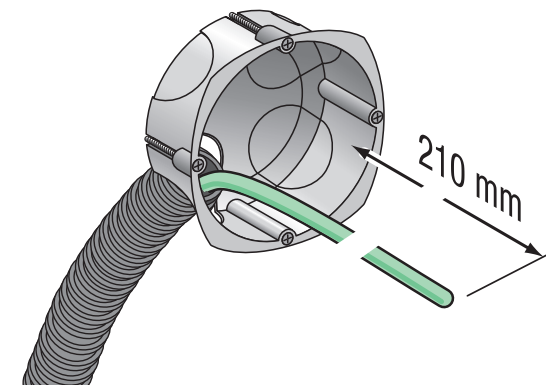


U/FTP



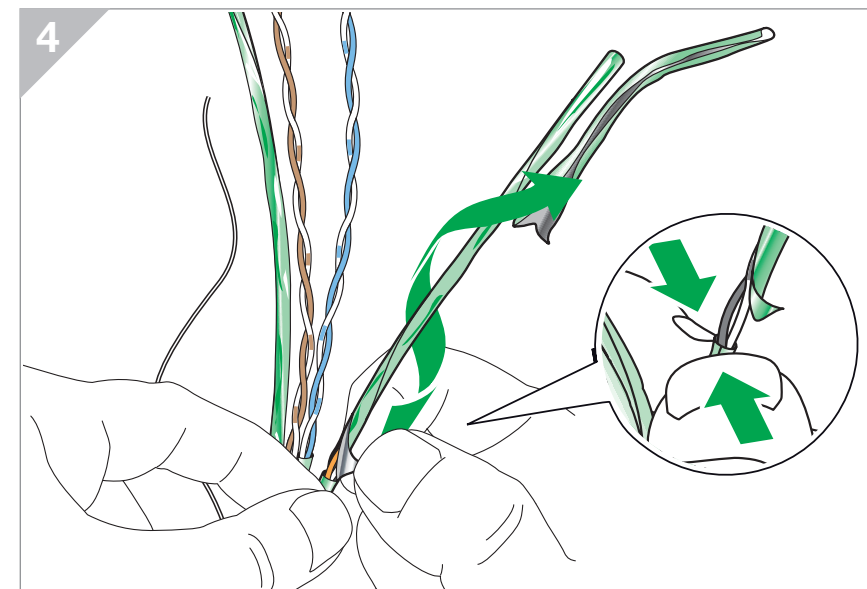
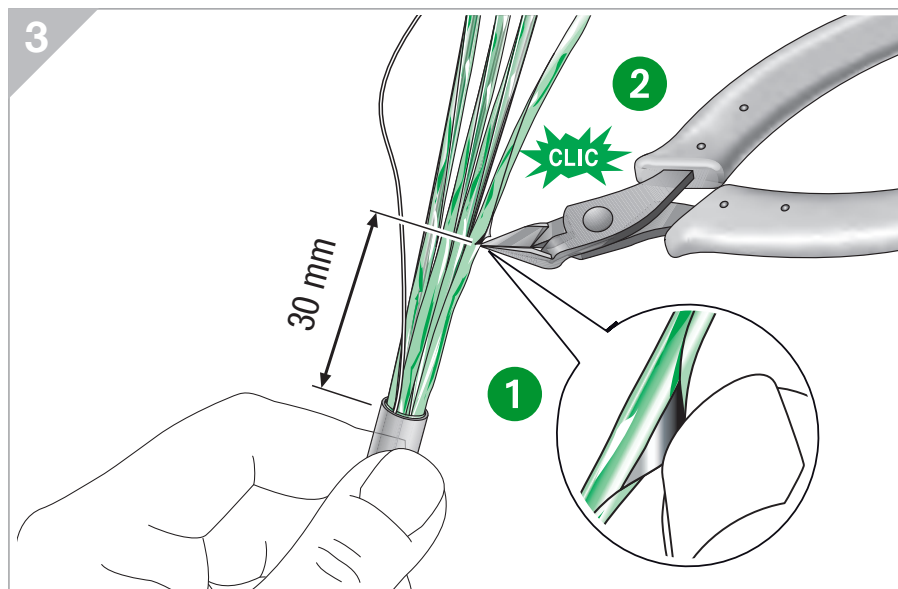
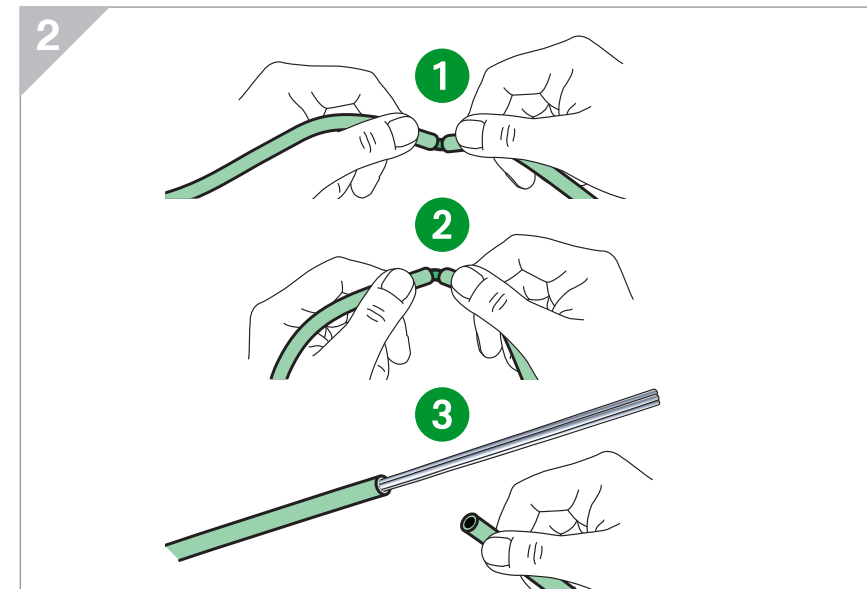
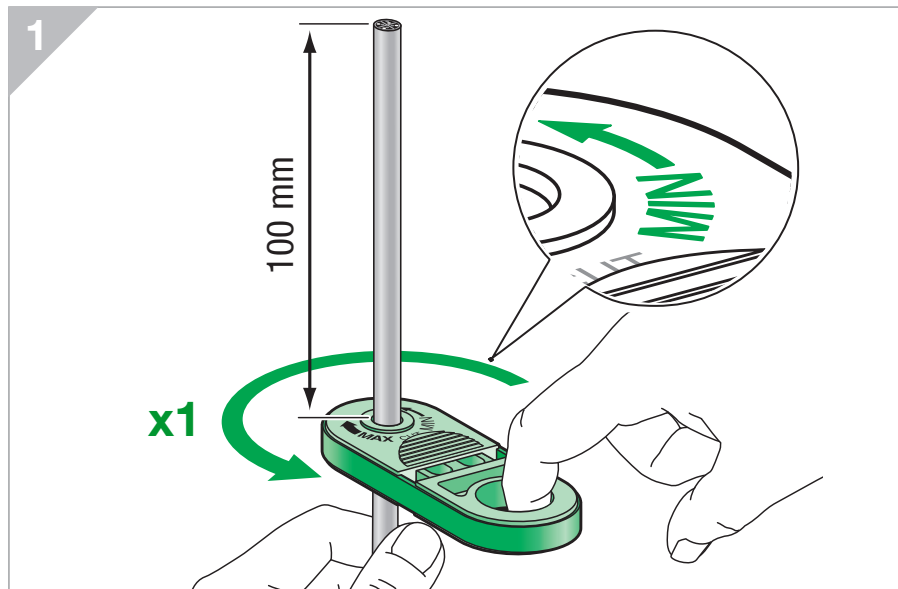
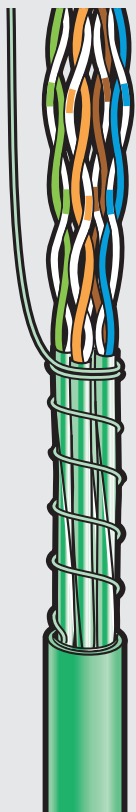
VDIR580020

x1



Cable preparation

U/FTP

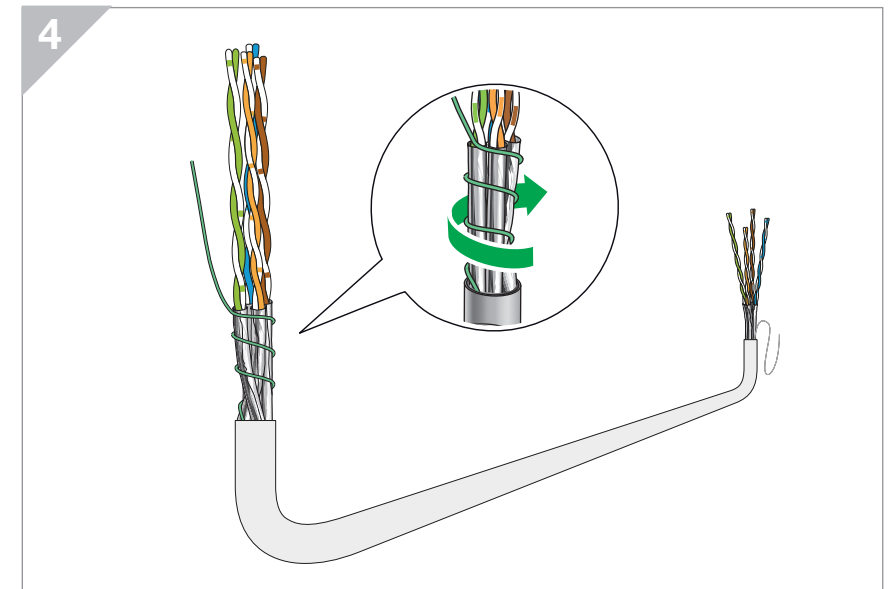
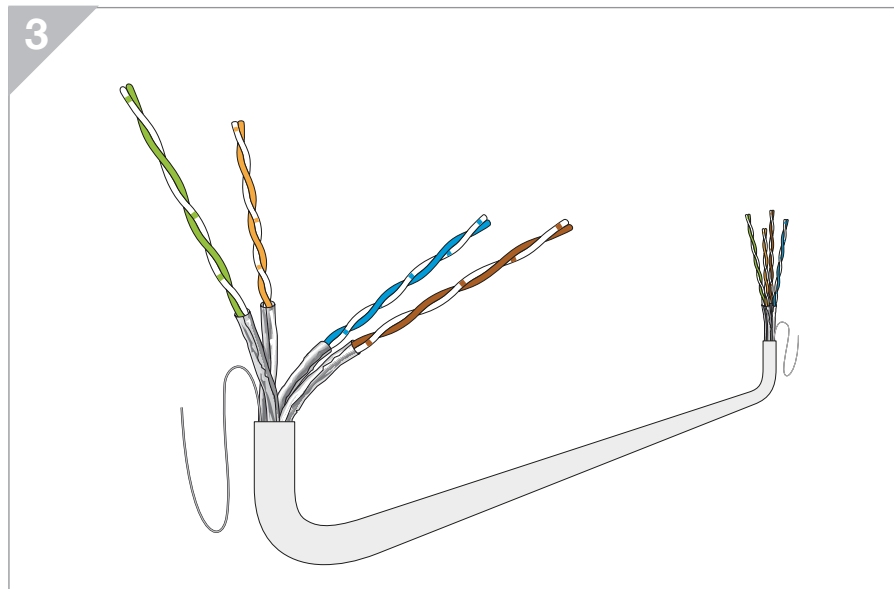
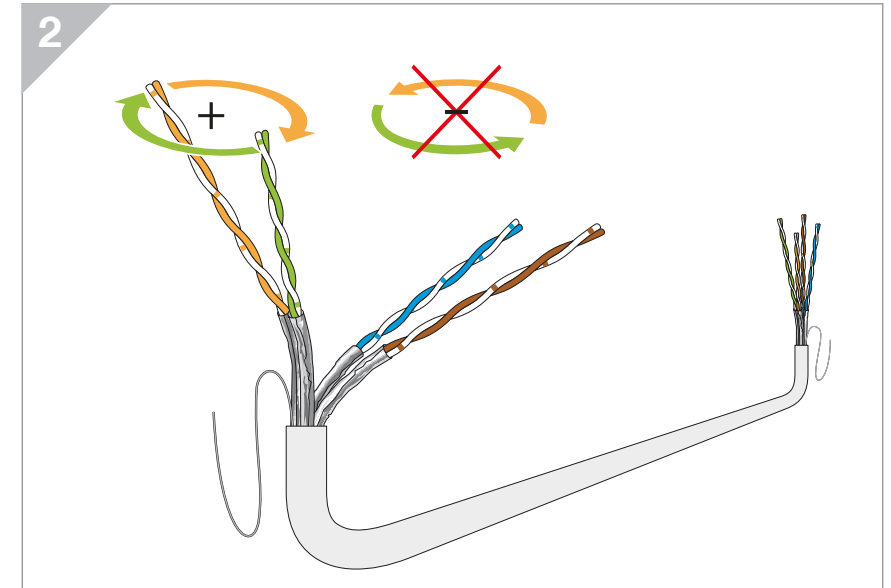
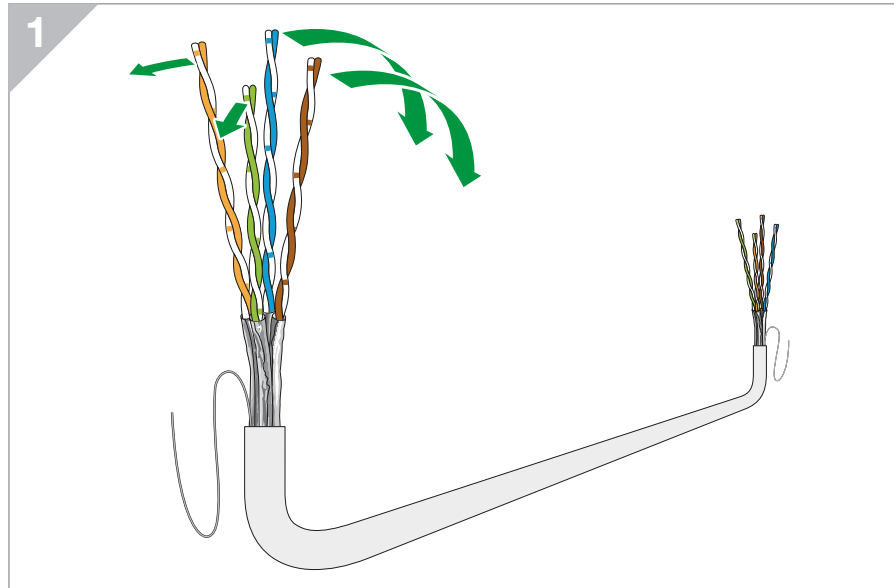
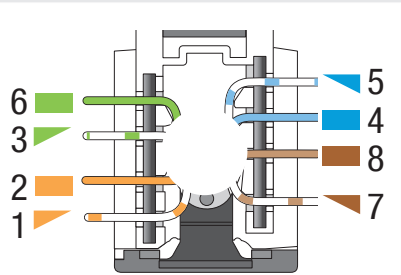


Pairs crossing

U/FTP

How to prepare a U/FTP cable with EIA-TIA 568B to reach high performance

EIA-TIA 568B (100Ω)

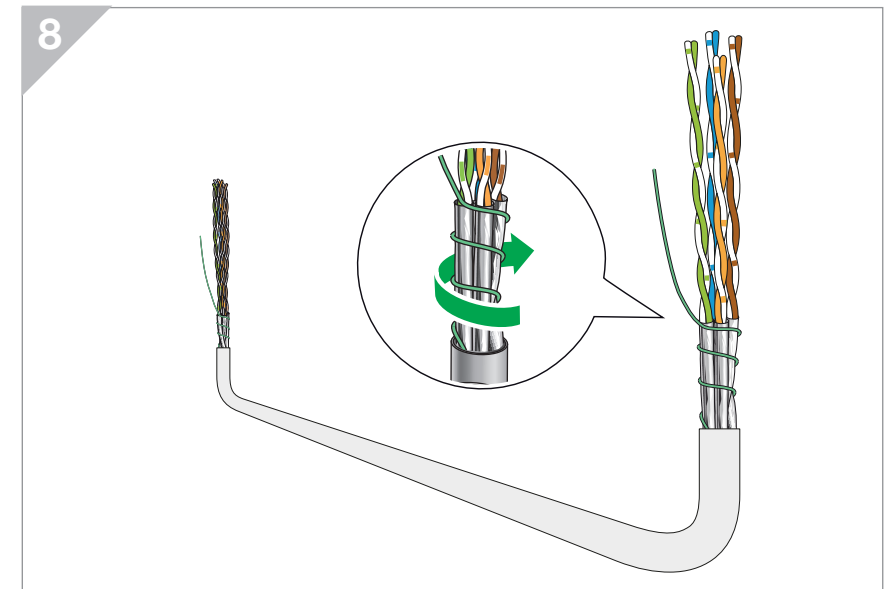
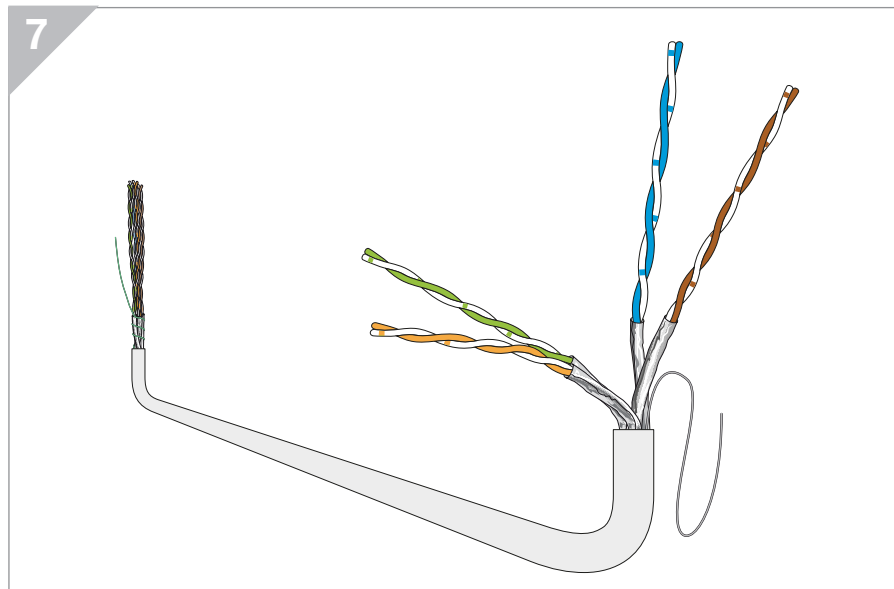
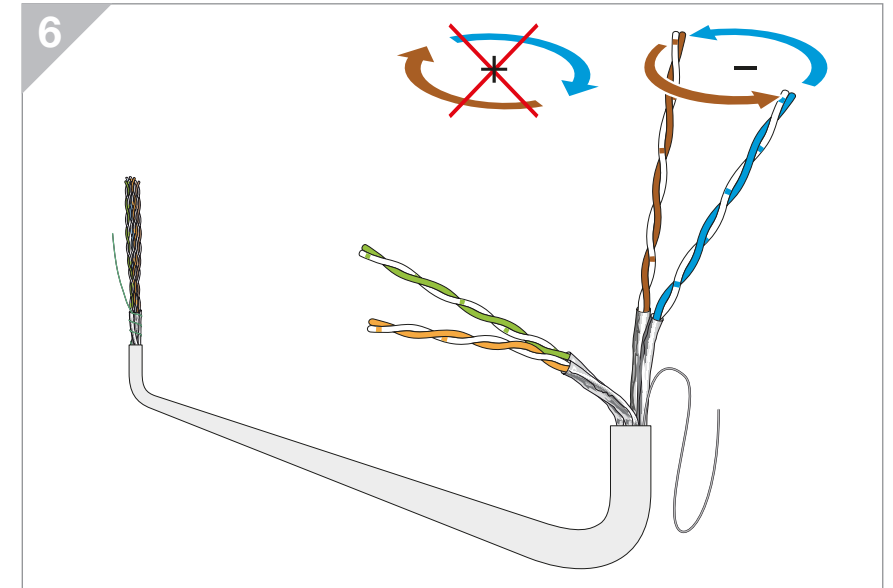
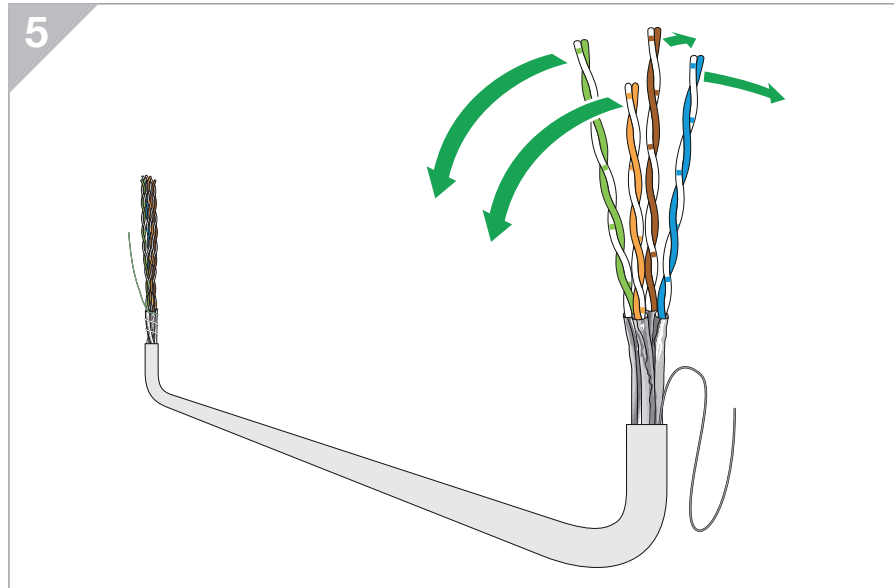
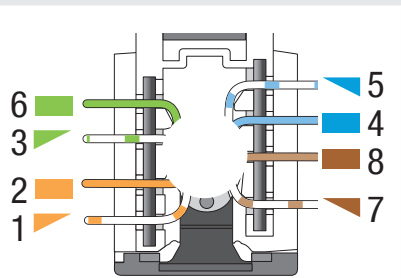


Pairs crossing

U/FTP

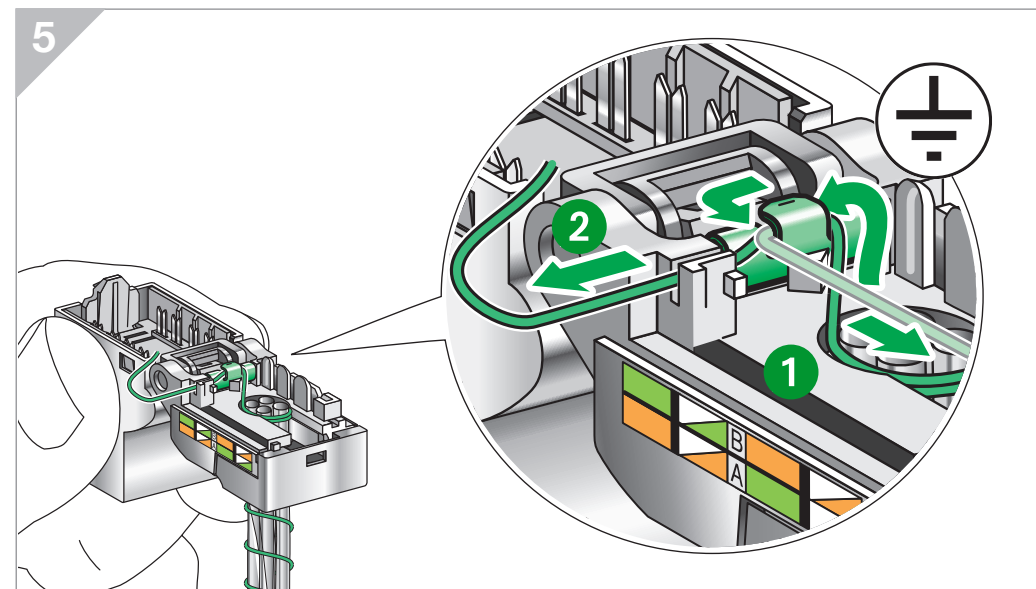
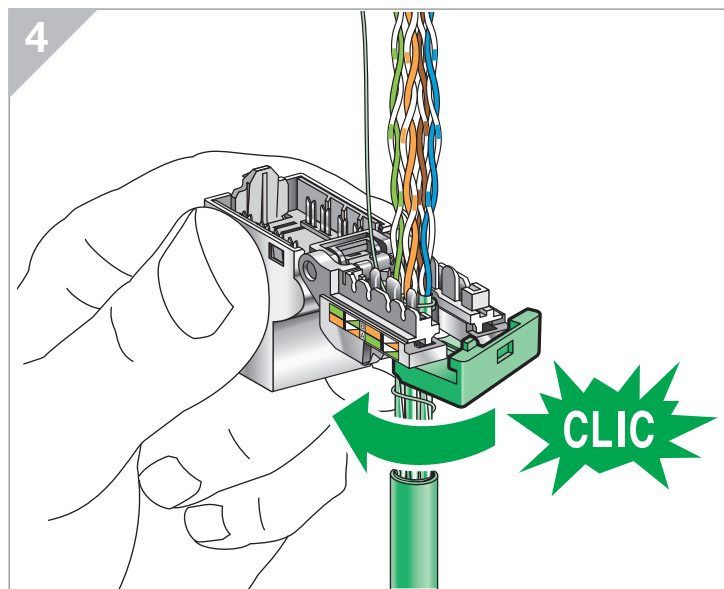
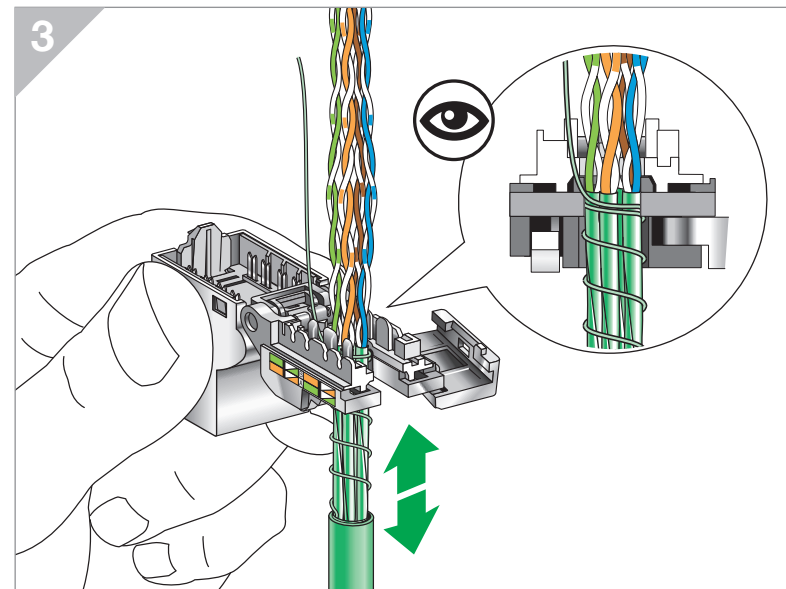
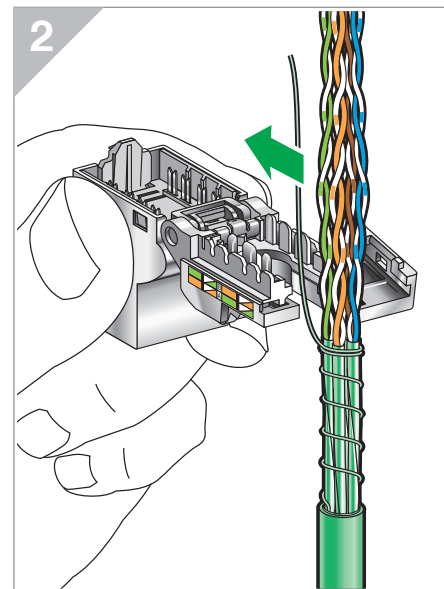
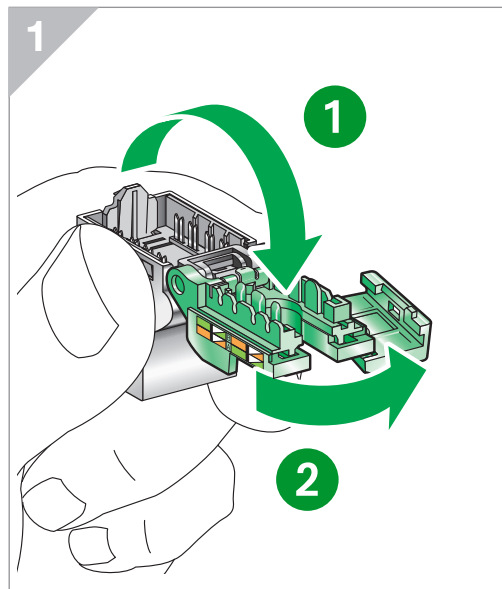
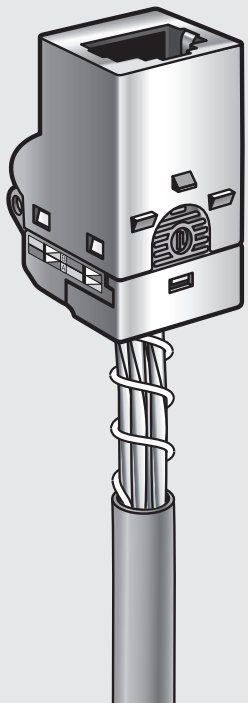
How to prepare a U/FTP cable with EIA-TIA 568B to reach high performance

EIA-TIA 568B (100Ω)



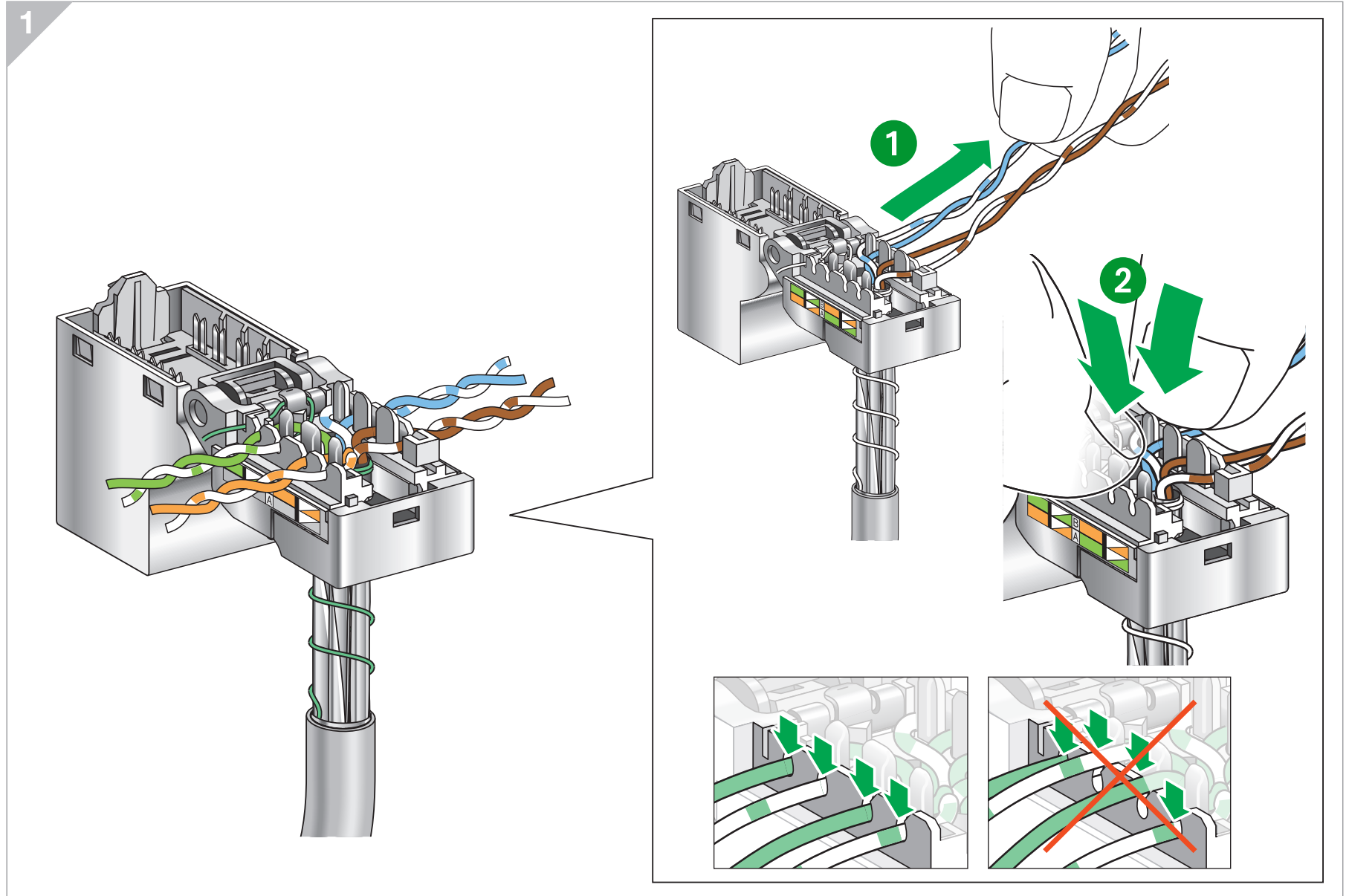
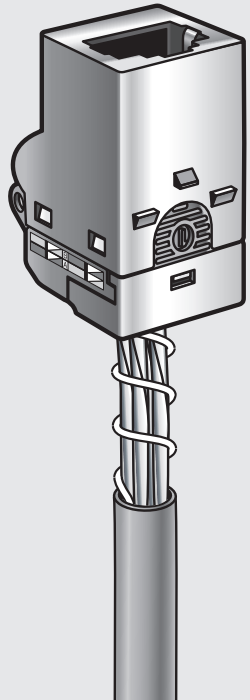
Connector wiring

U/FTP



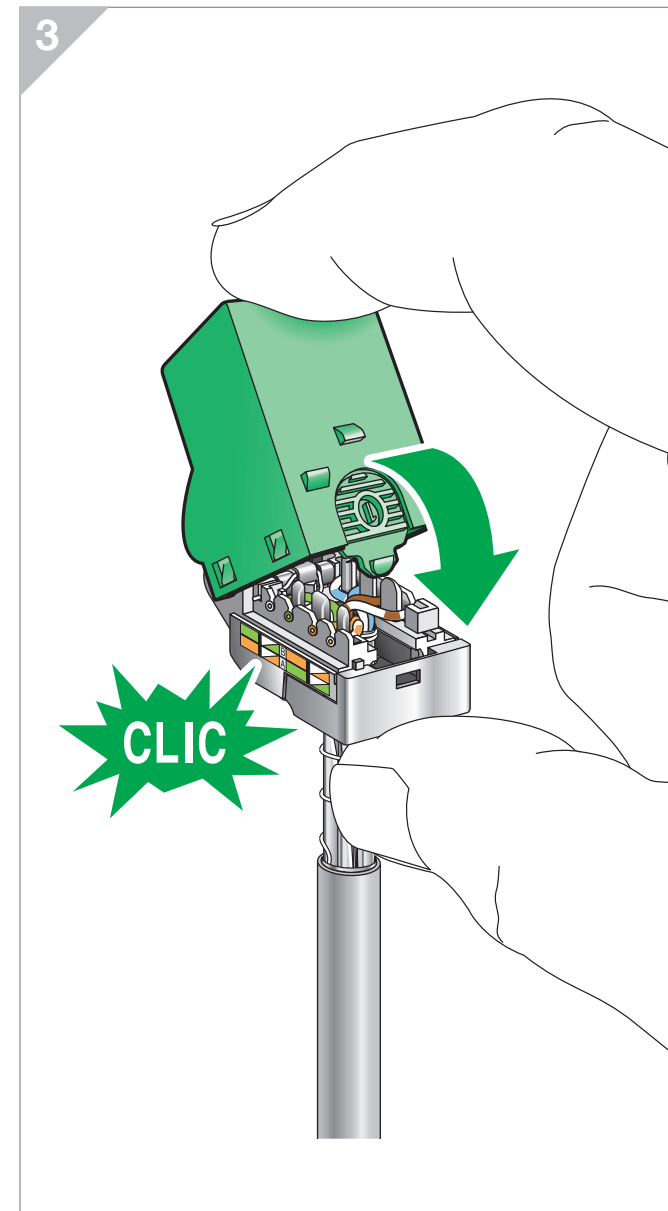
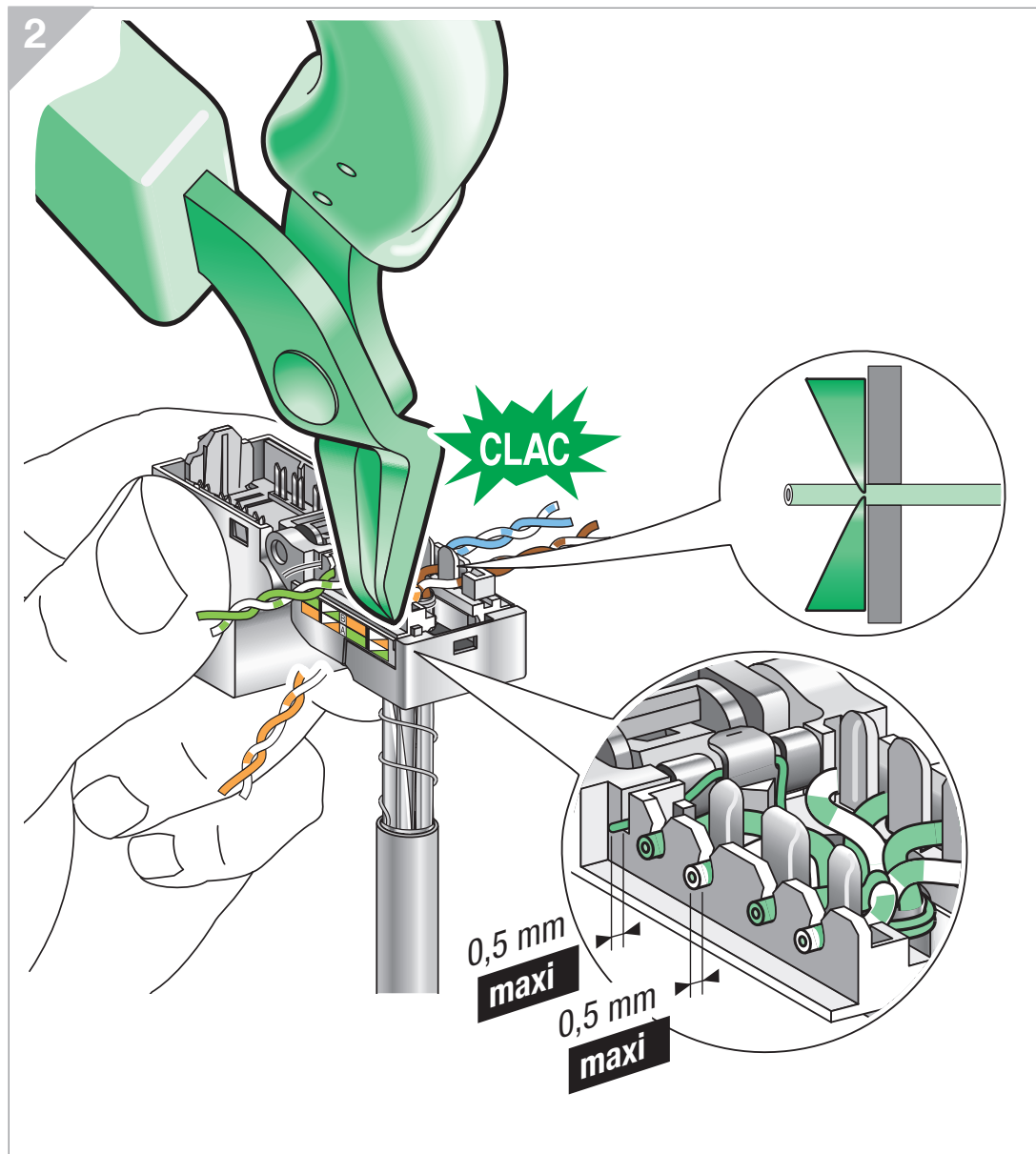
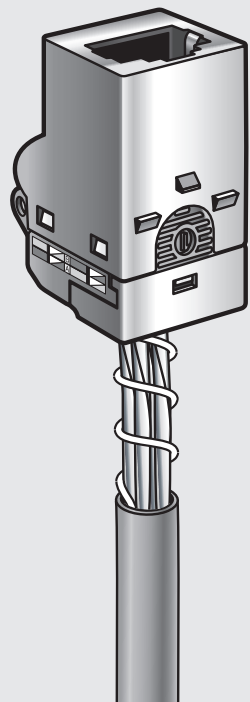
Connector connection

U/FTP



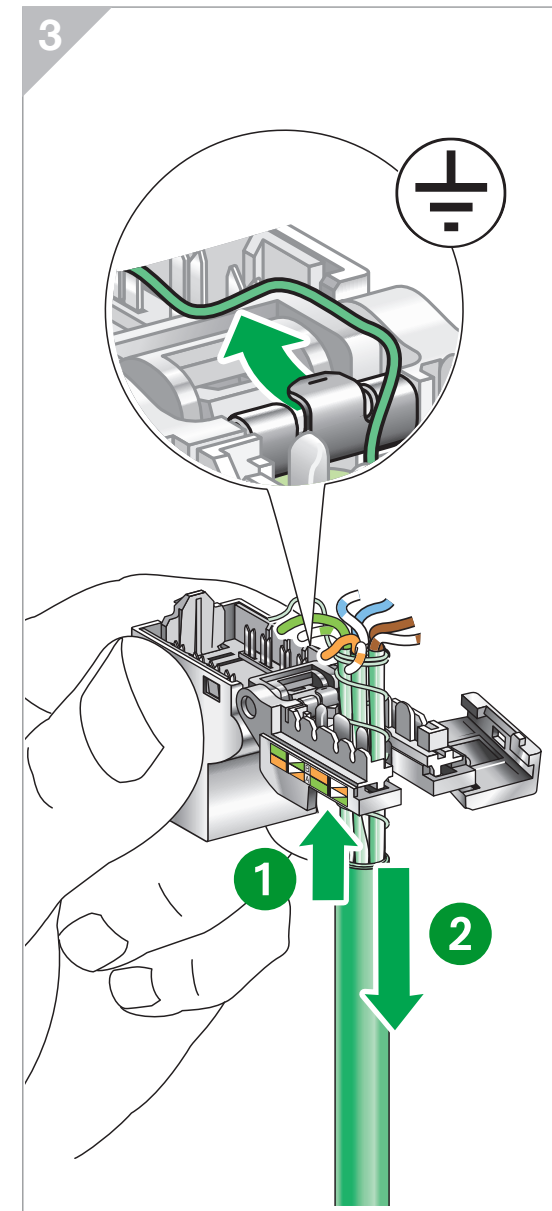
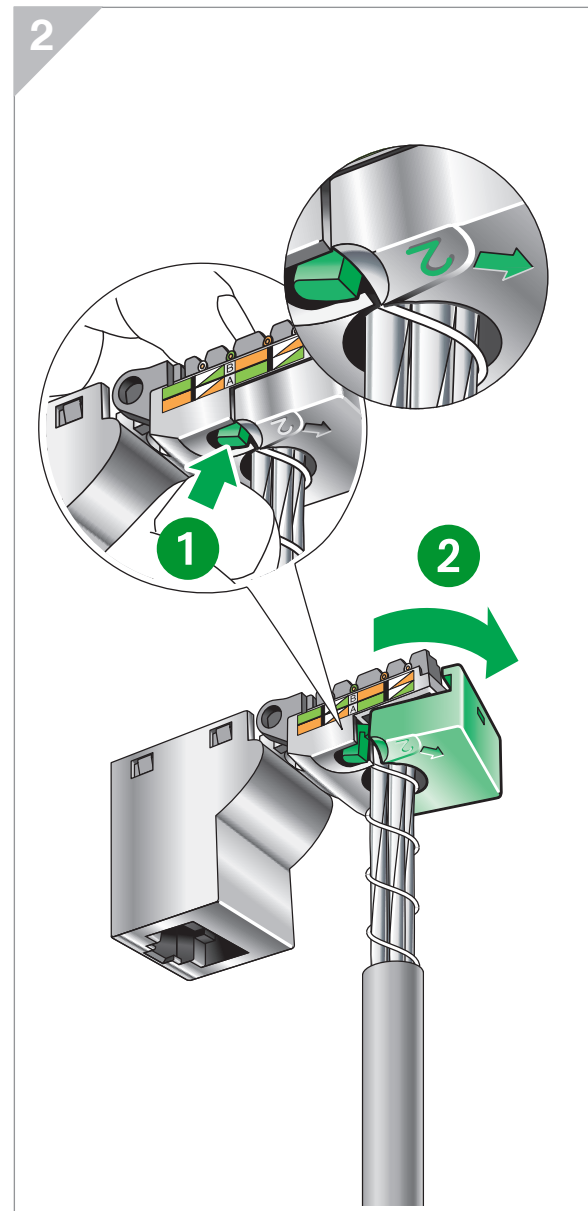
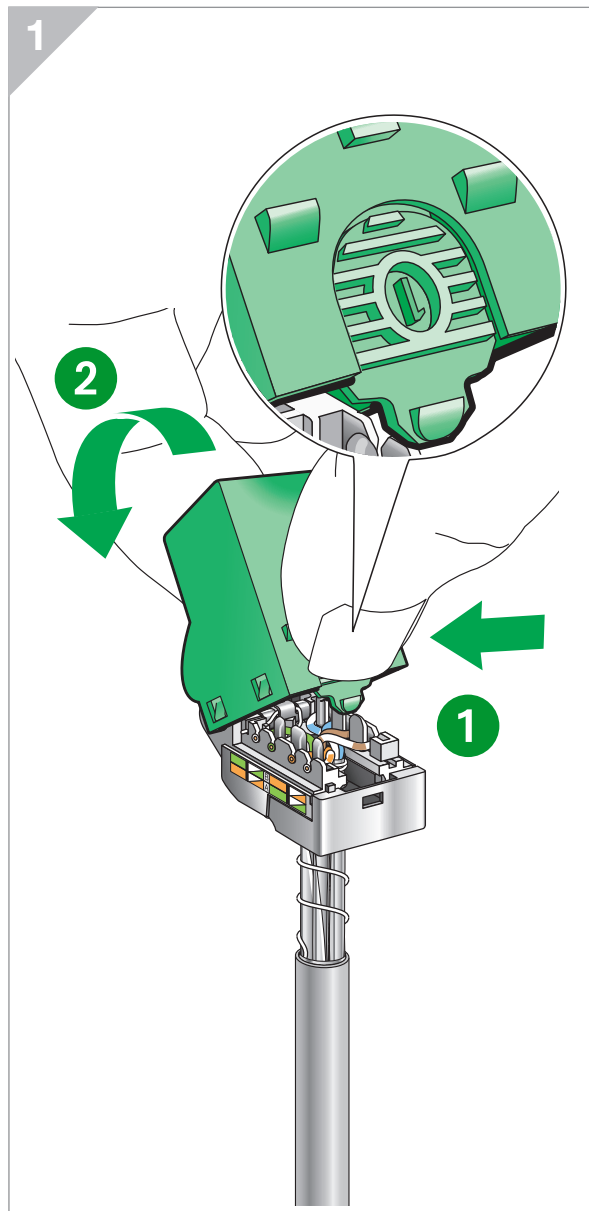
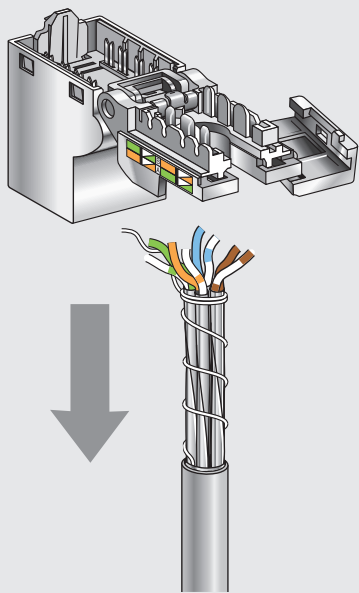
Connector connection

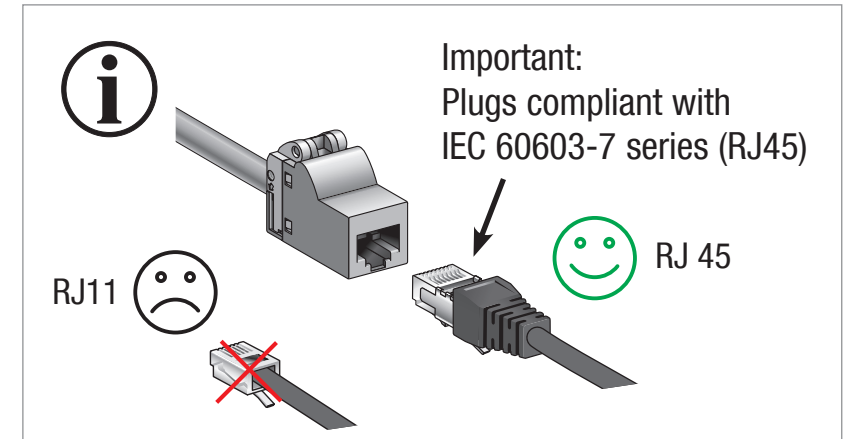
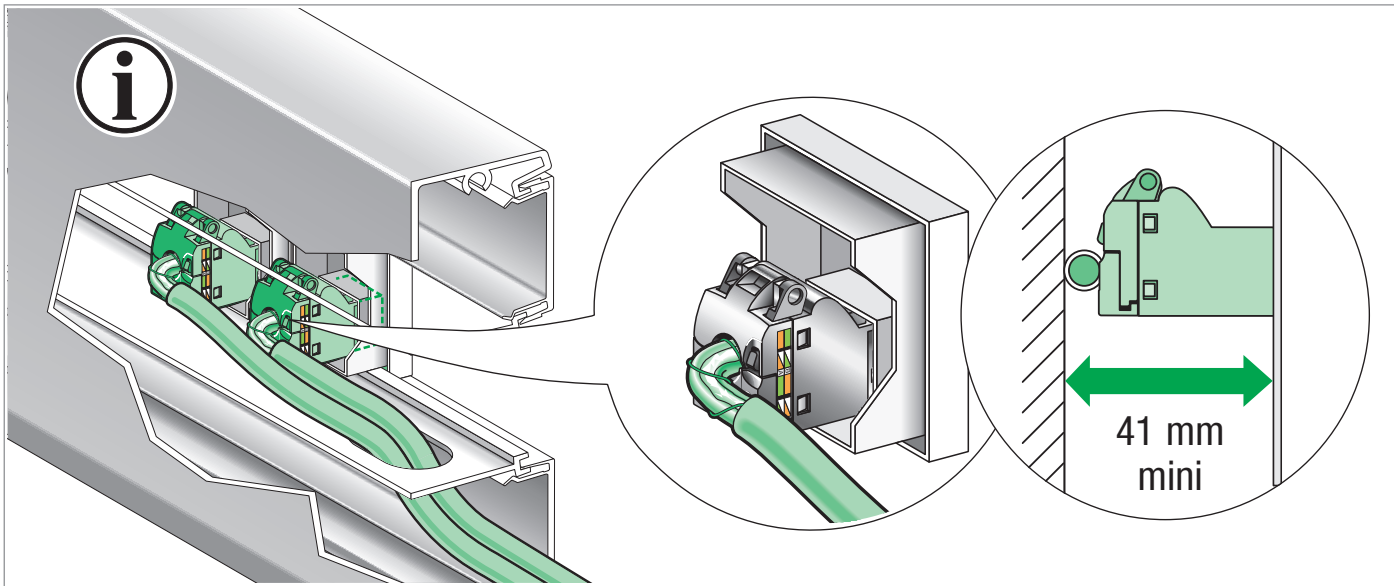
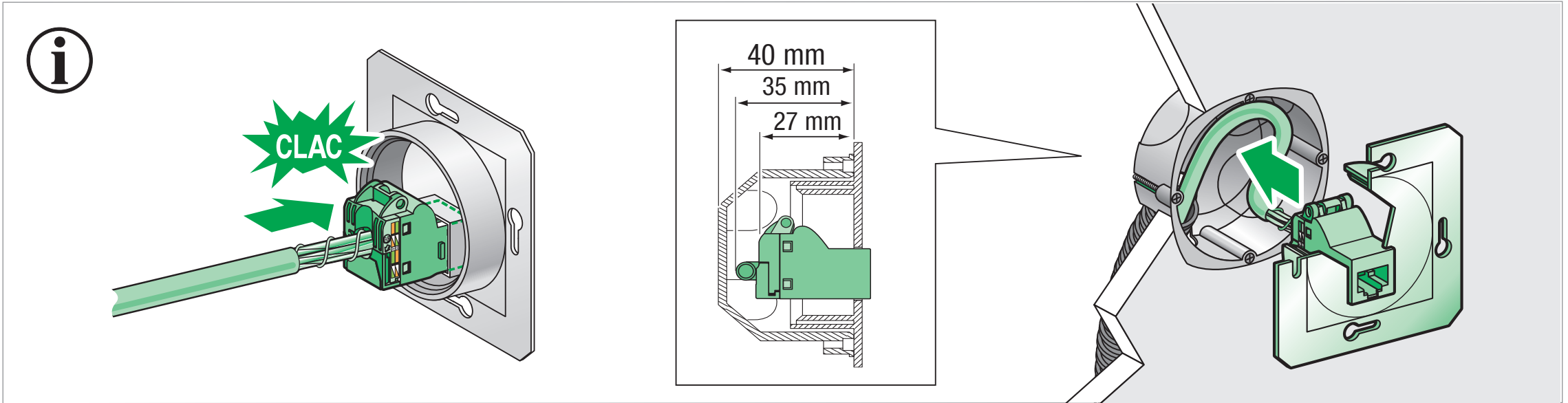
U/FTP



Connector disconnection

U/FTP

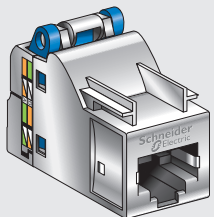




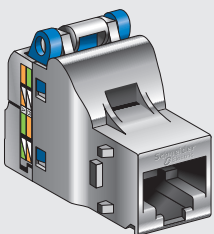
Composition

Shielded connector

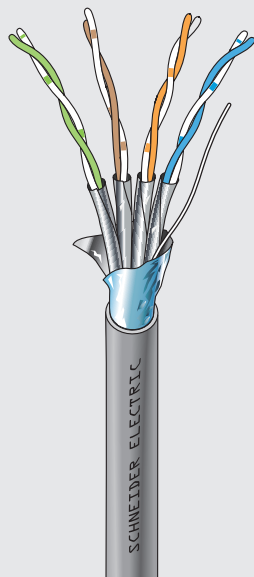
S-One



S-One DPM

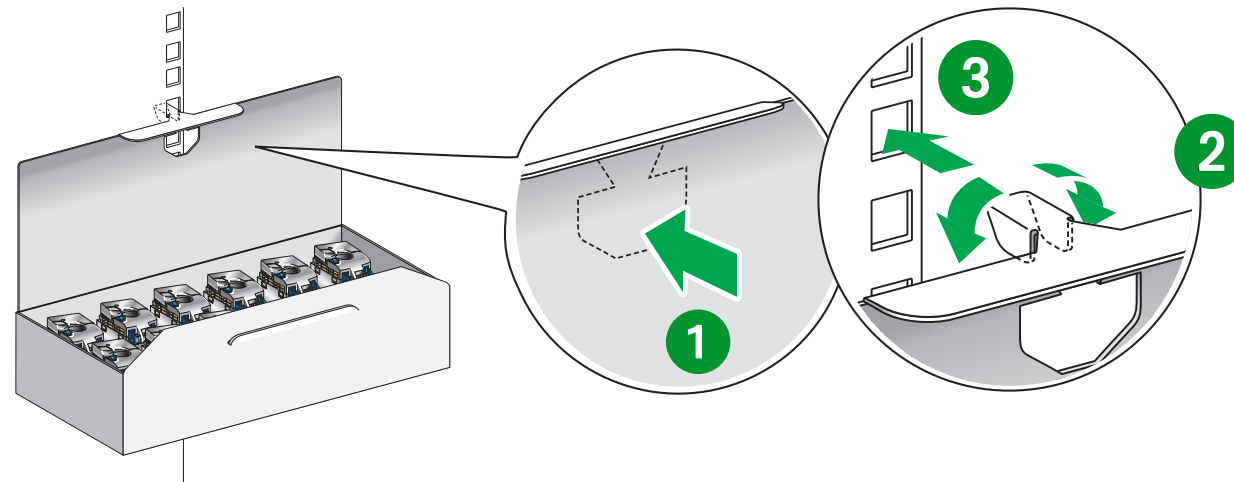
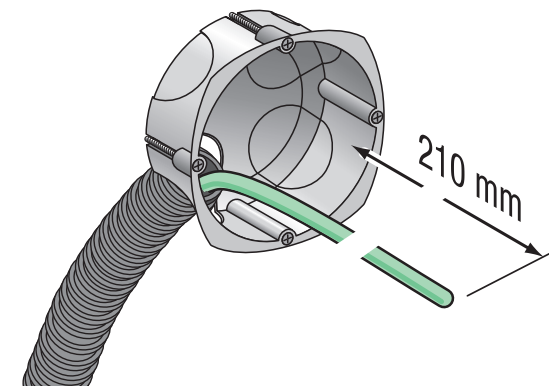


F/FTP



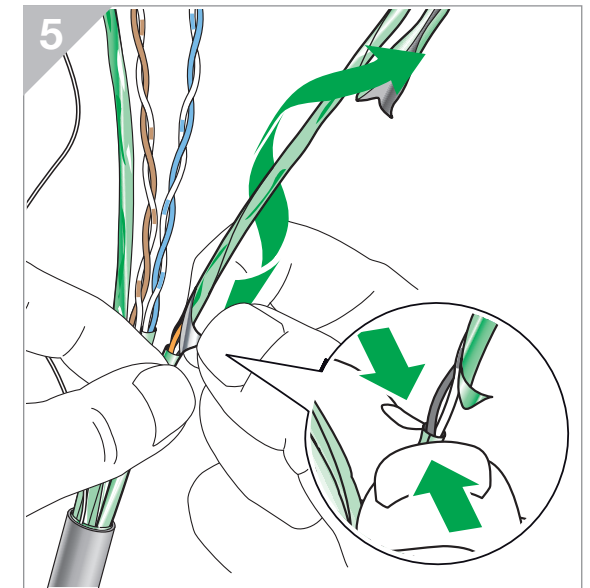
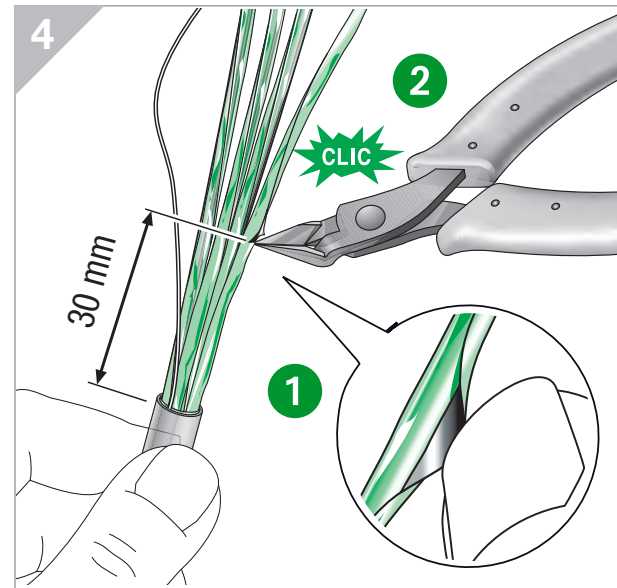
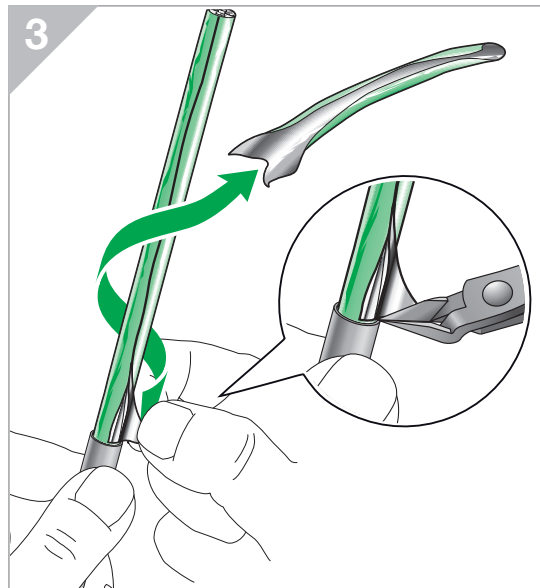
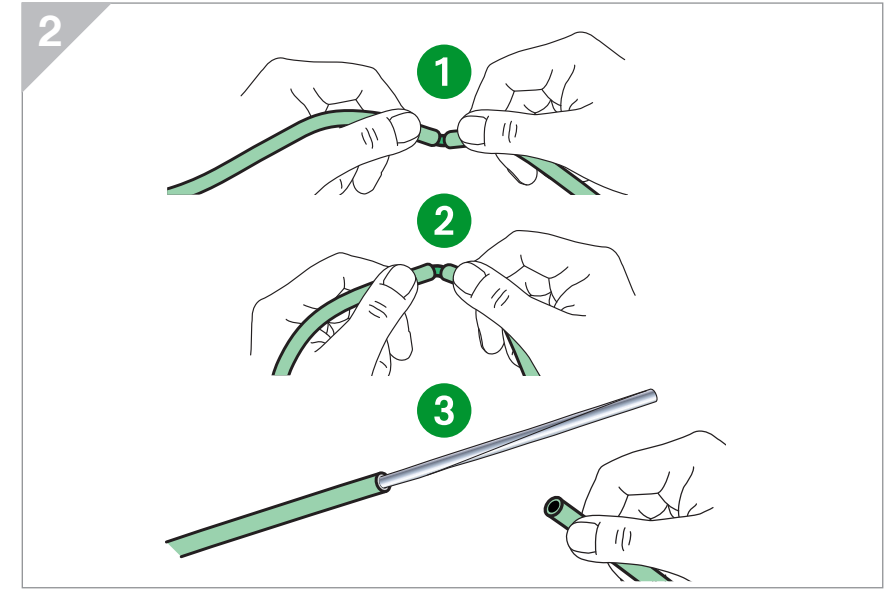
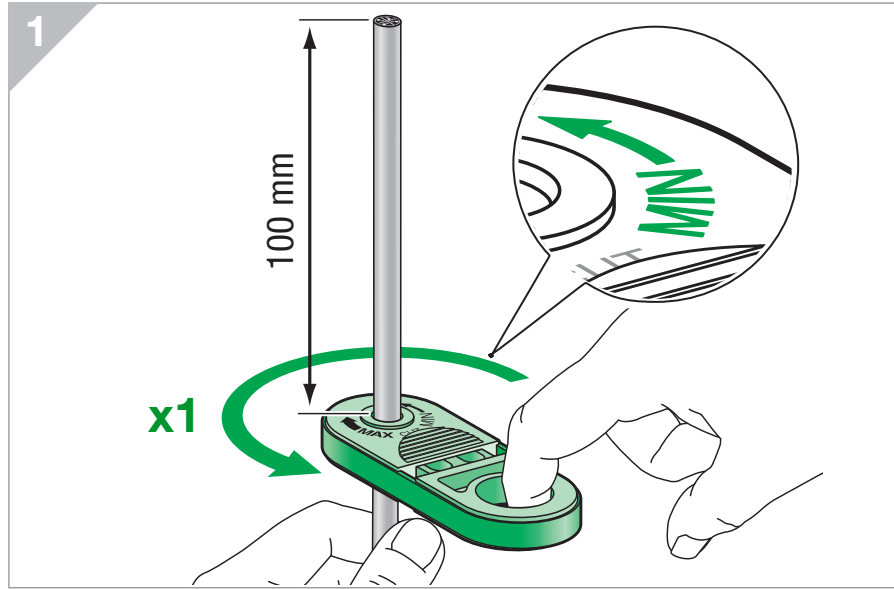
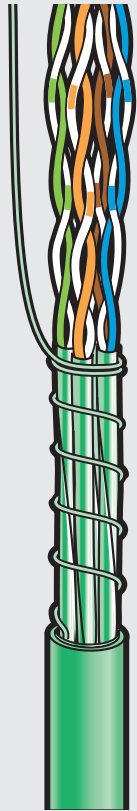
VDIR580020

x1



Cable preparation

F/FTP

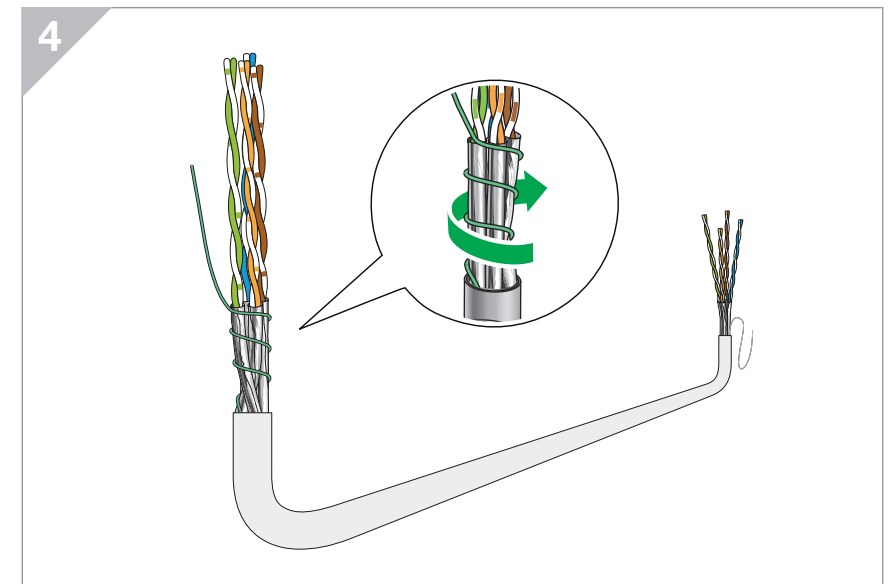
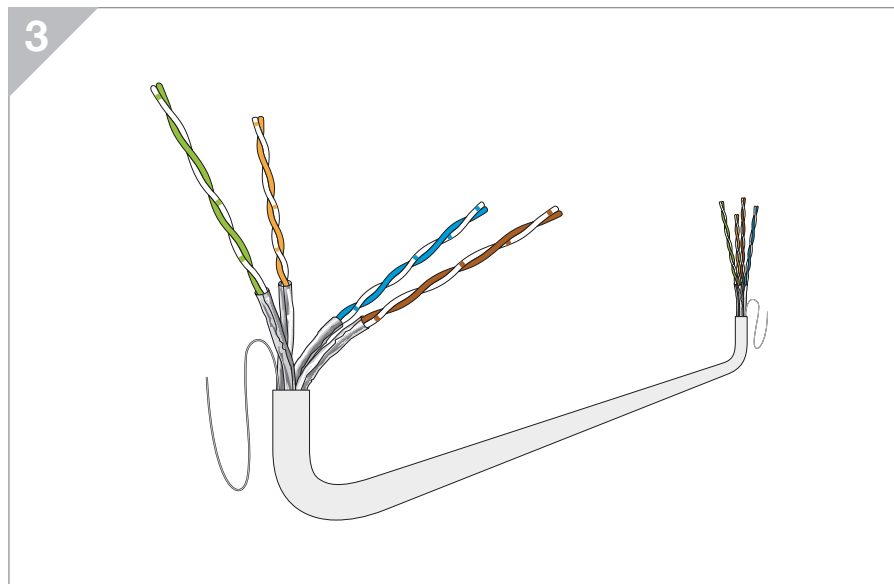
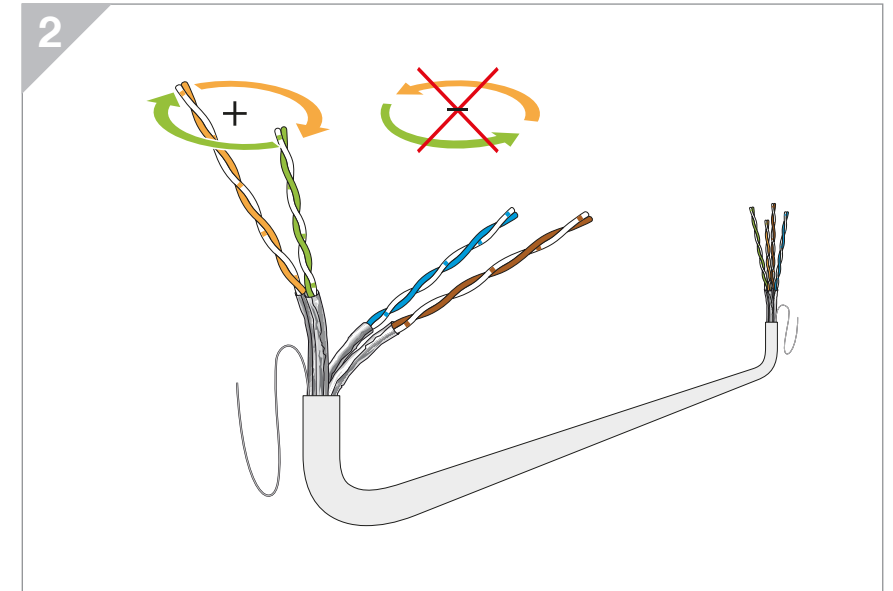
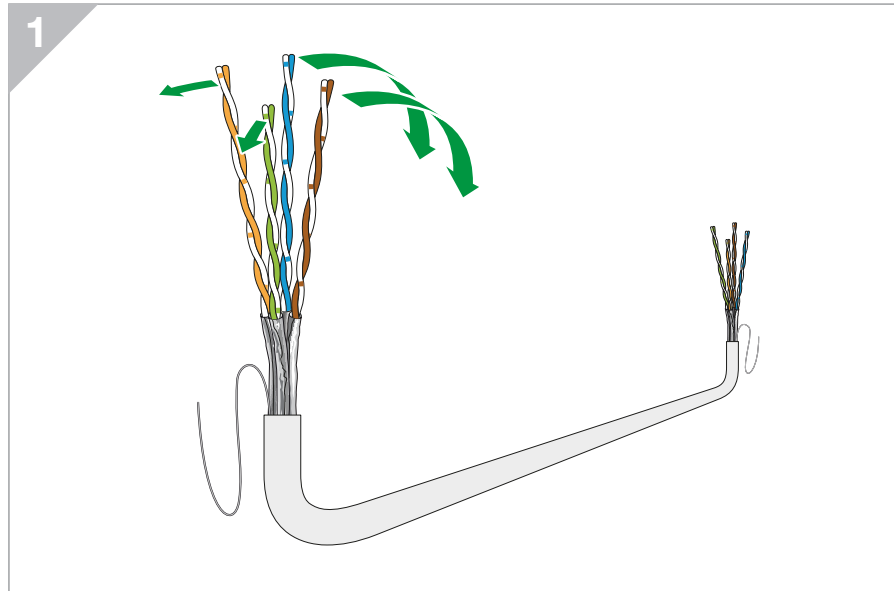
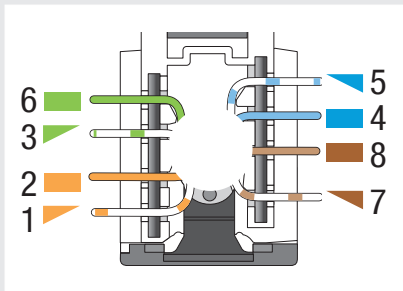


Pairs crossing

F/FTP

How to prepare a F/FTP cable with EIA-TIA 568B to reach high performance

EIA-TIA 568B (100Ω)

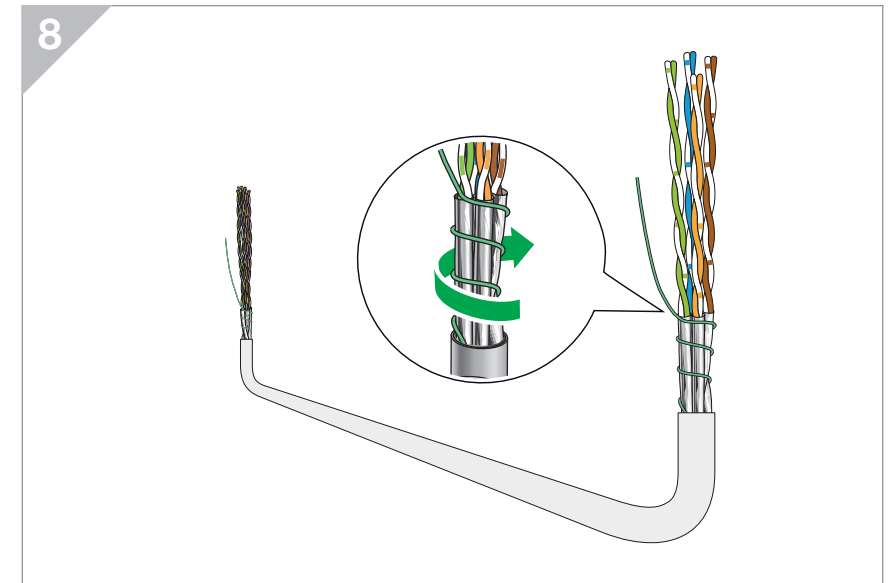
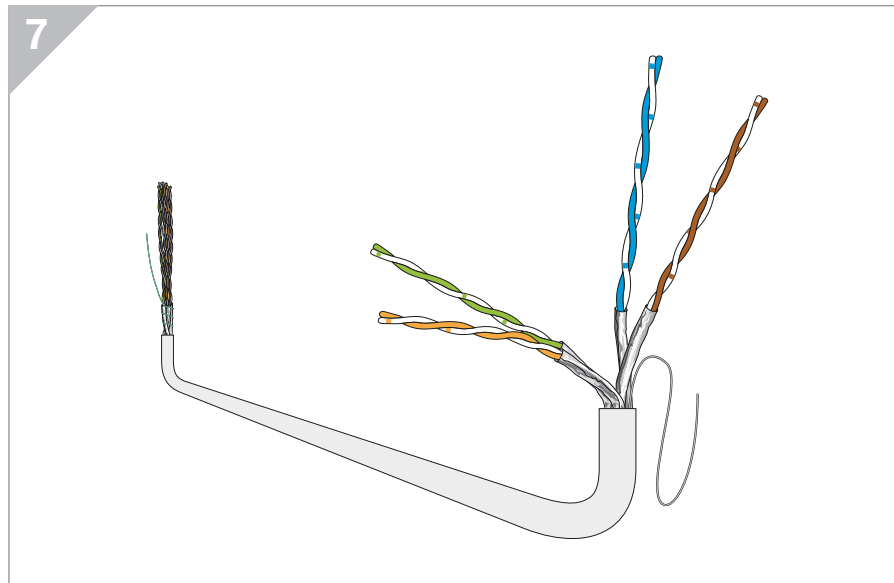
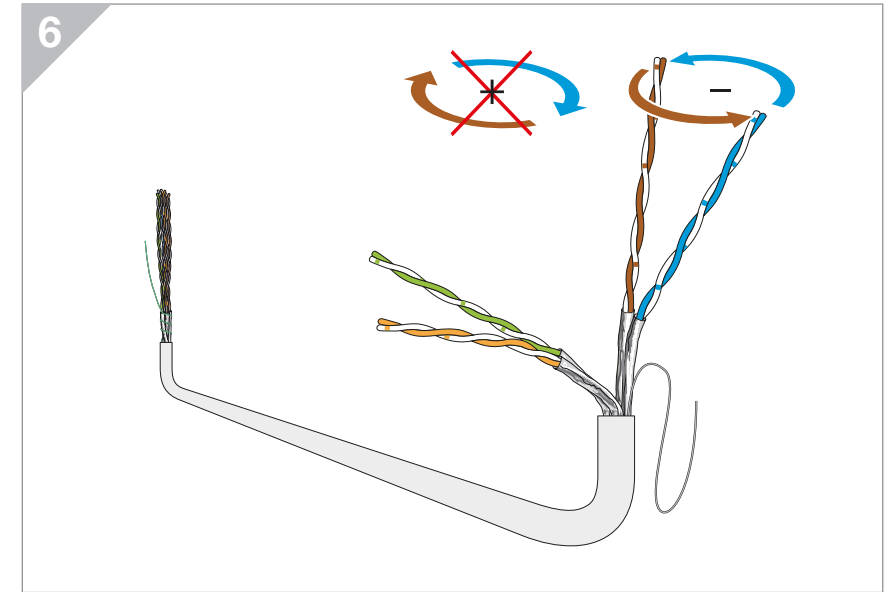
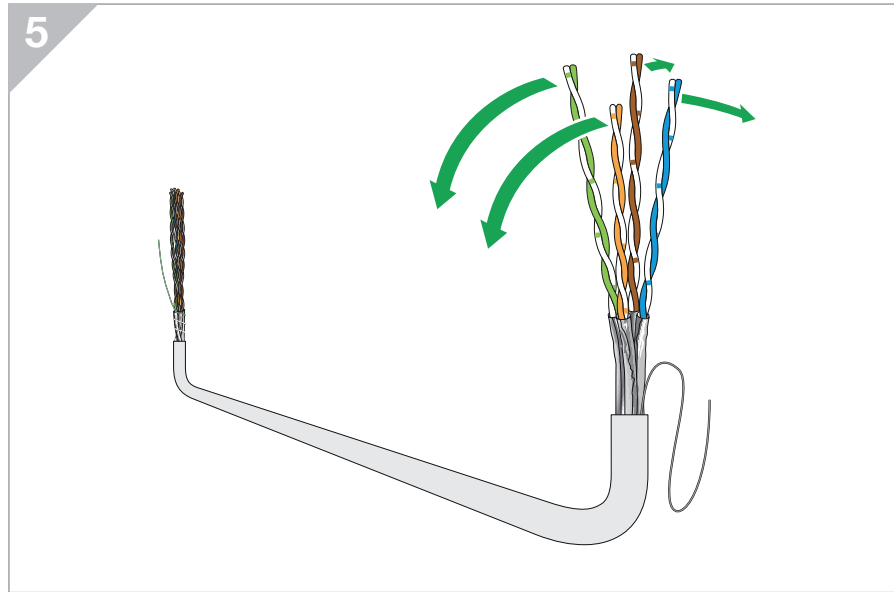
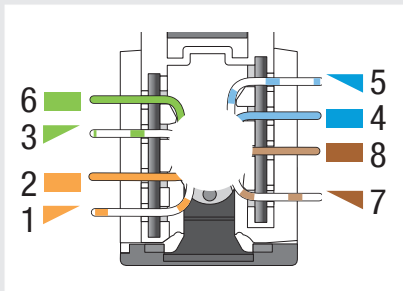


Pairs crossing

F/FTP

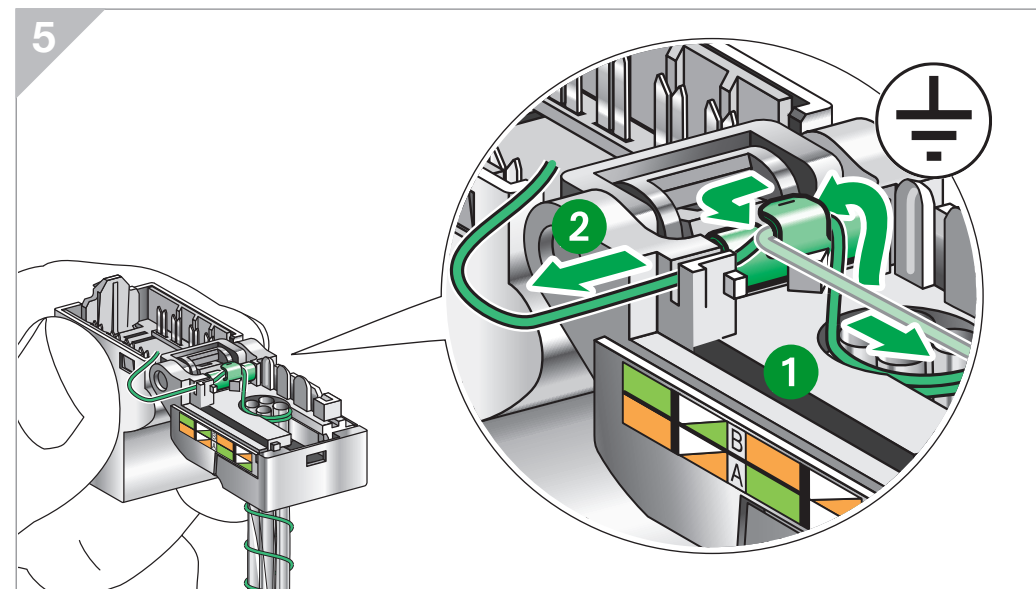
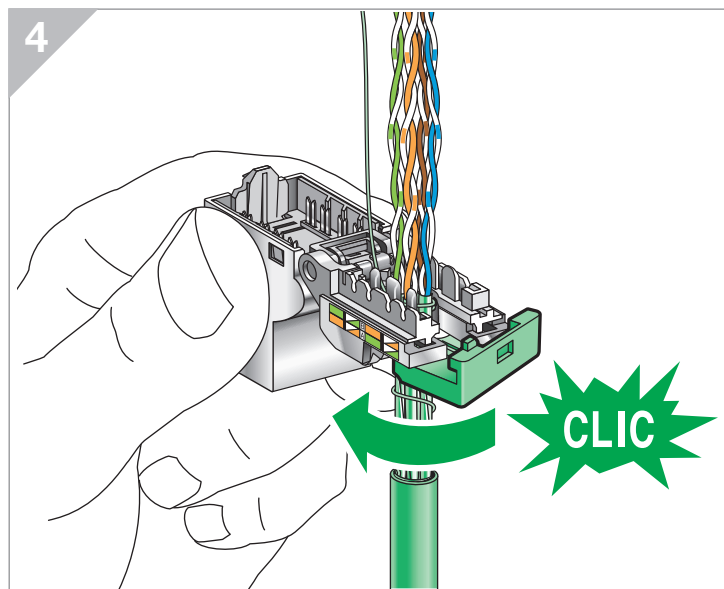
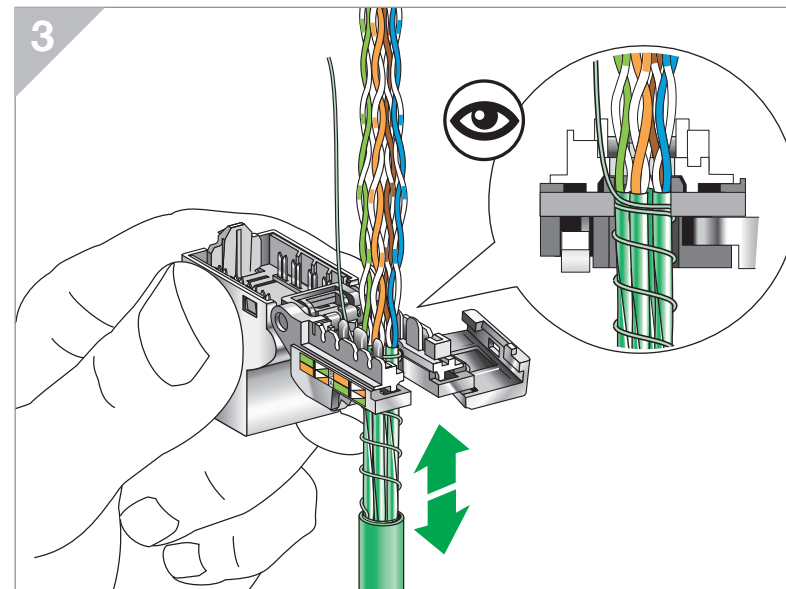
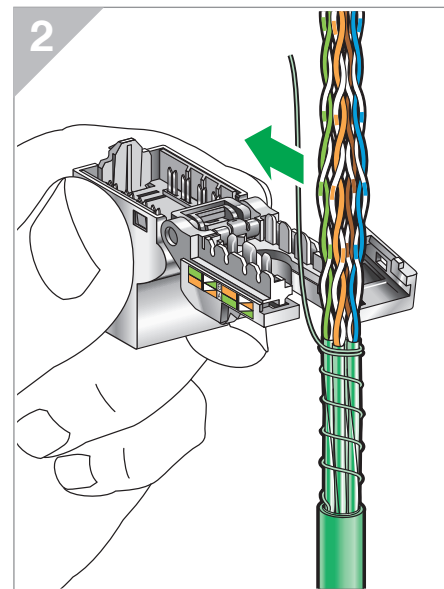
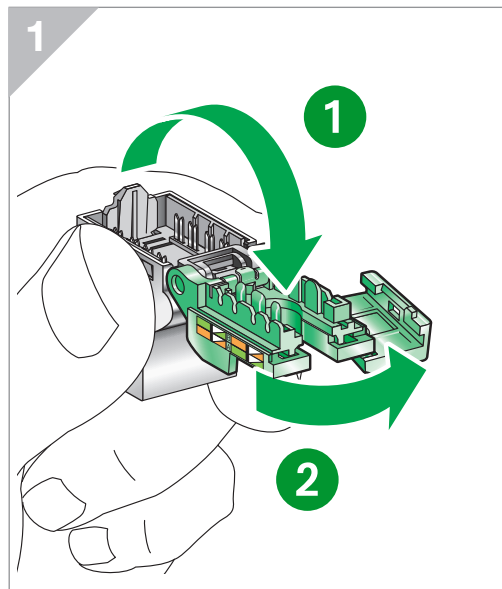
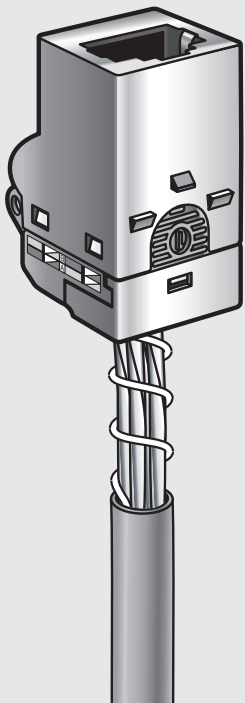
How to prepare a F/FTP cable with EIA-TIA 568B to reach high performance

EIA-TIA 568B (100Ω)



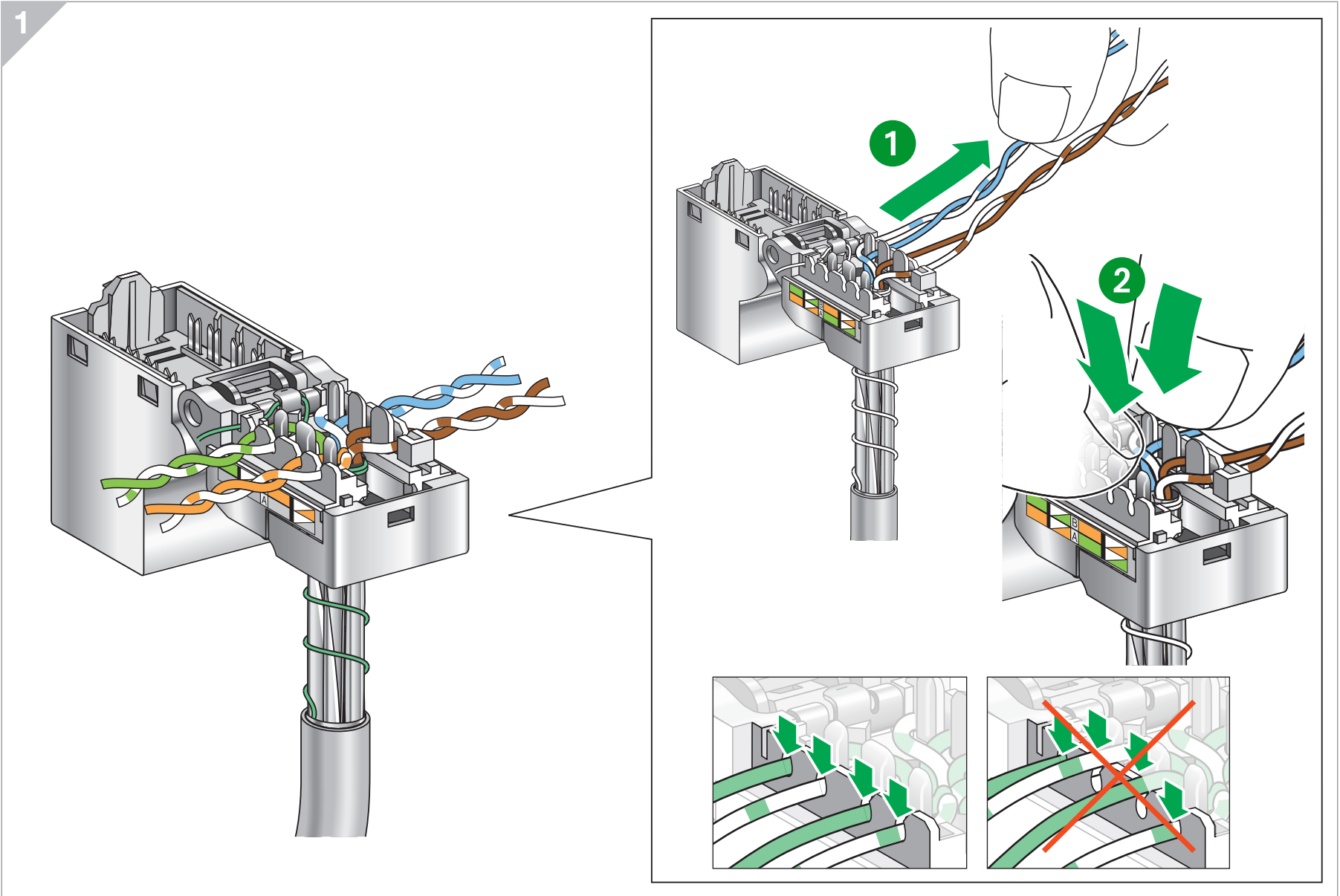
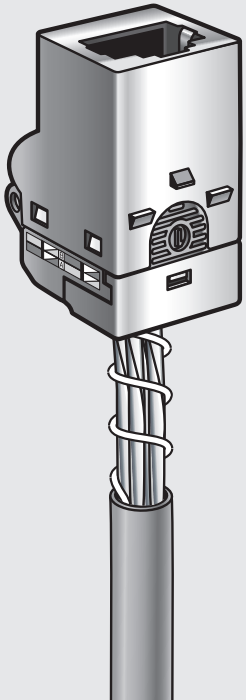
Connector wiring

F/FTP



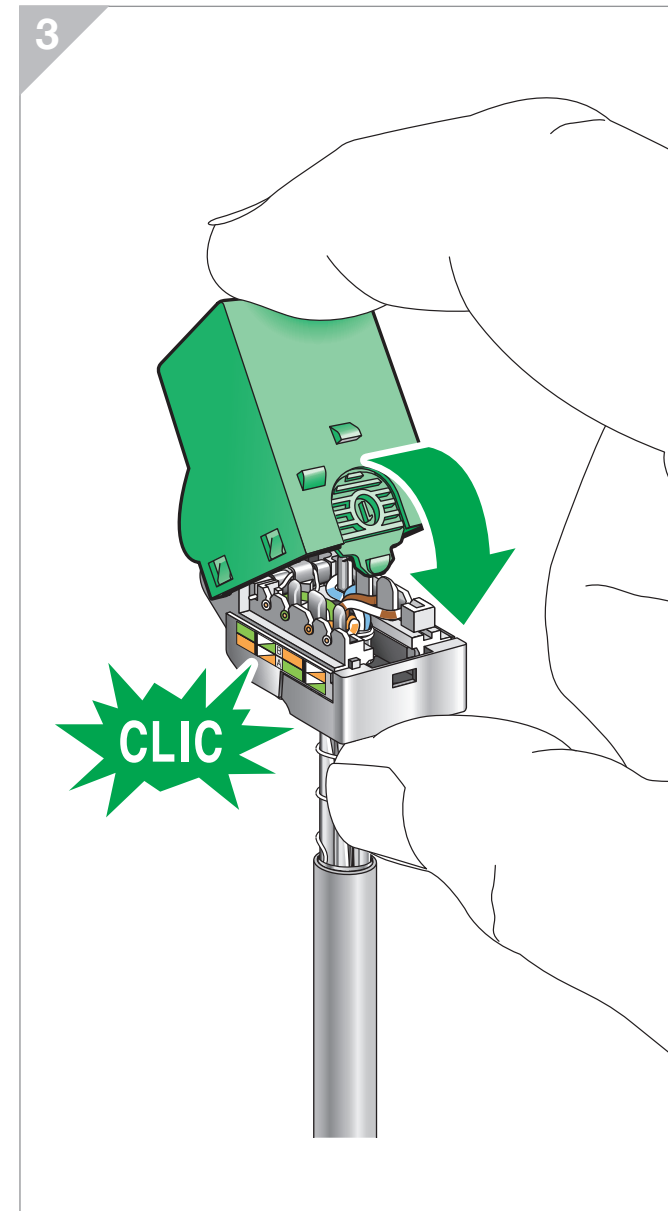
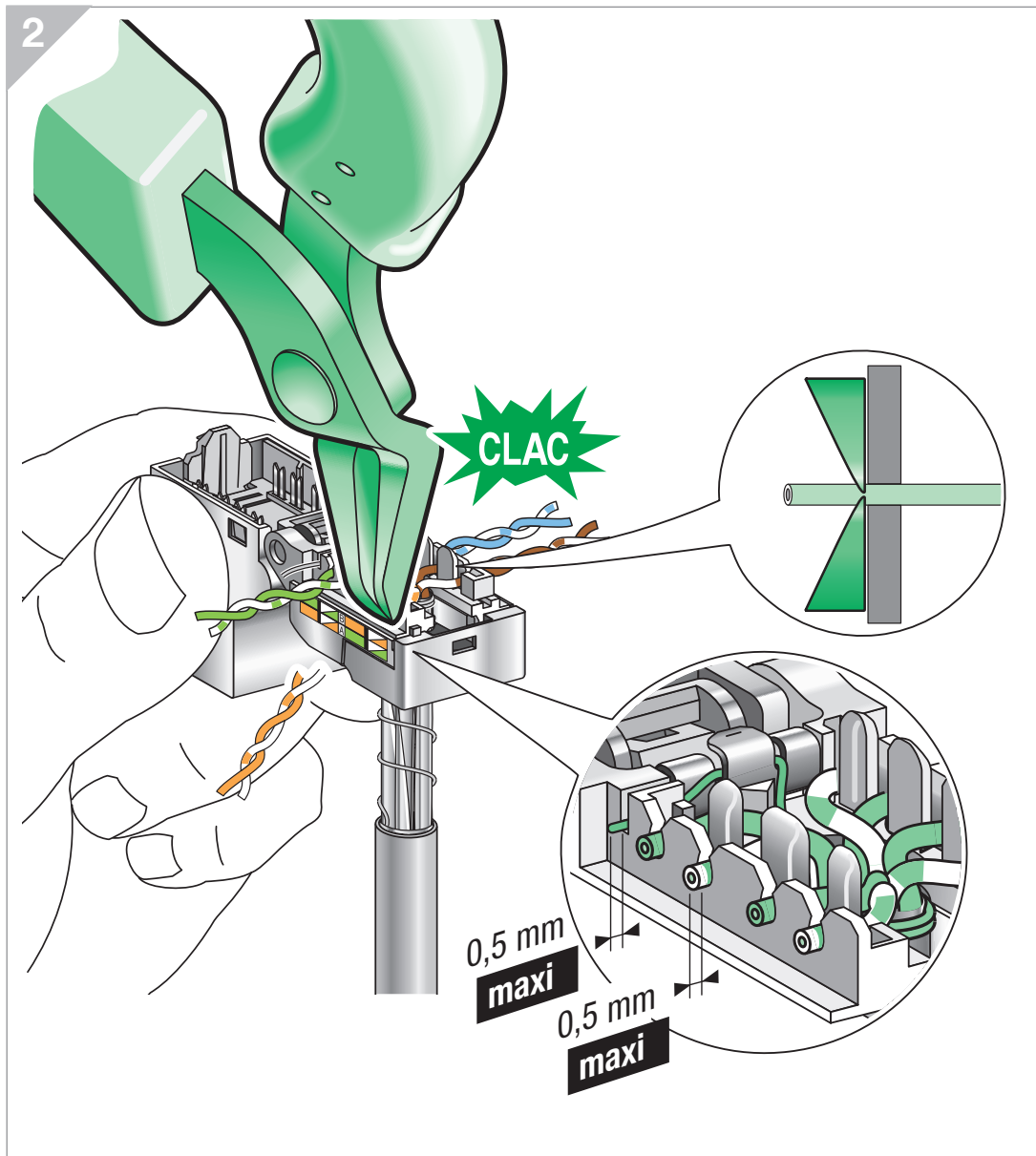
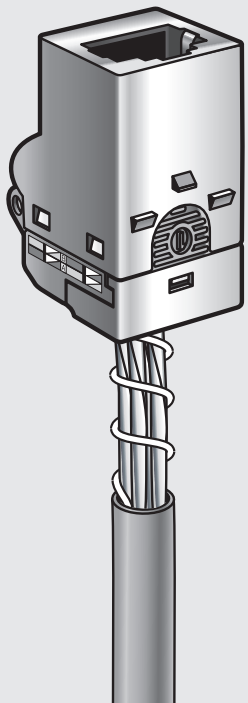
Connector connection

F/FTP



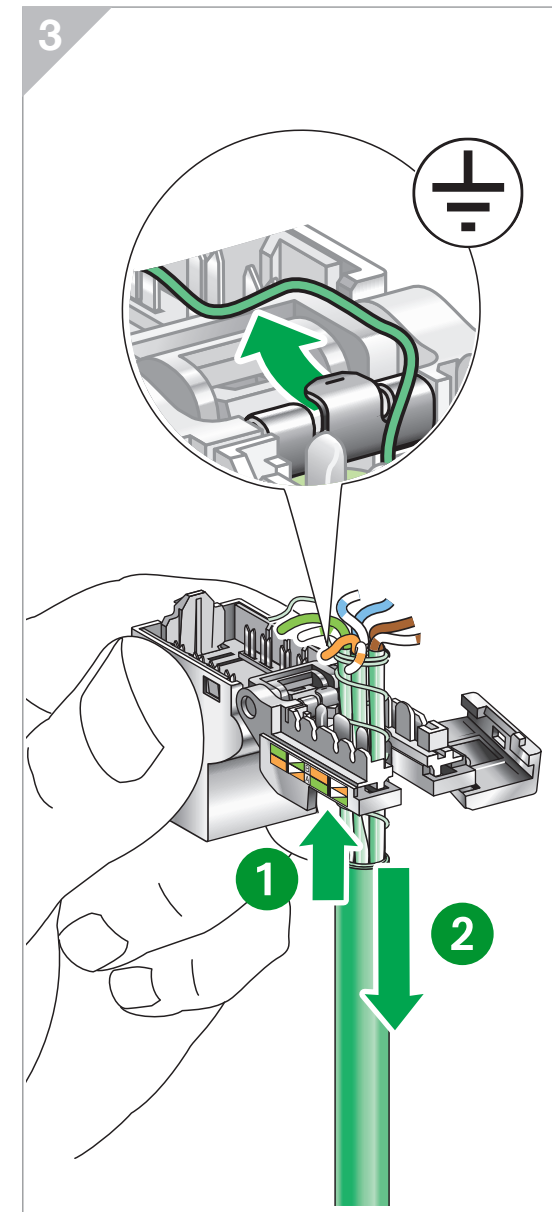
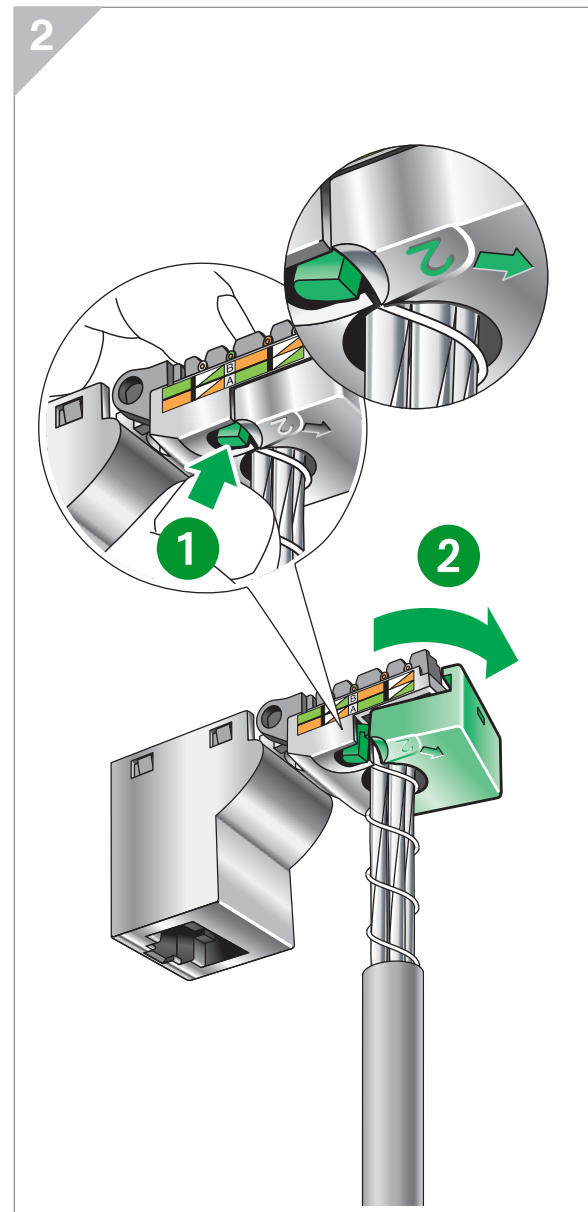
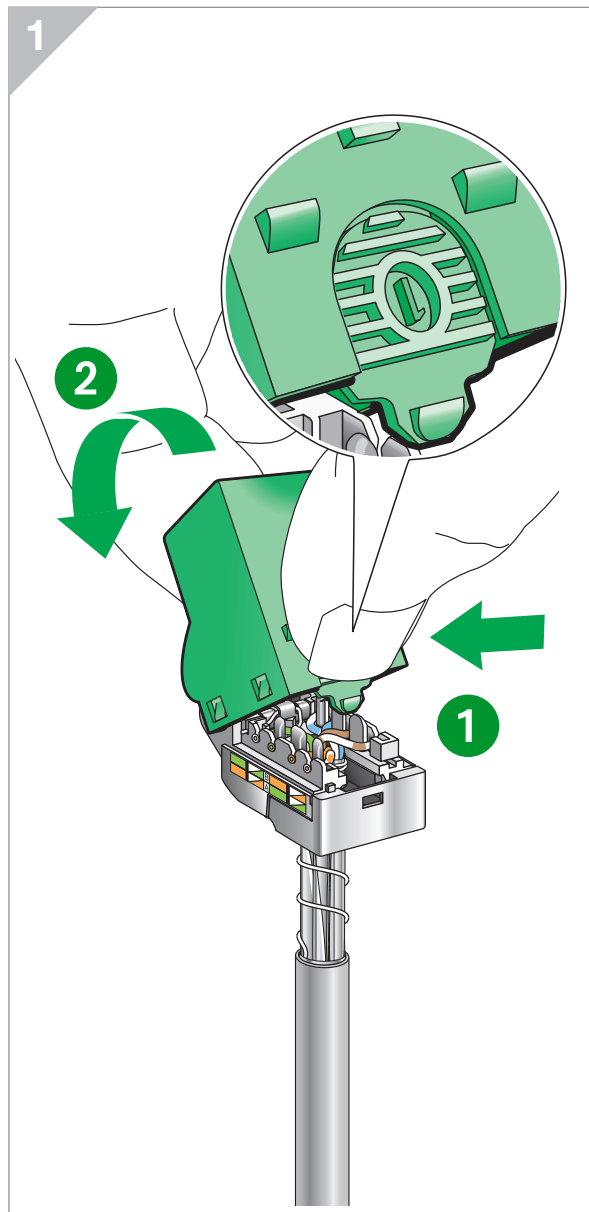
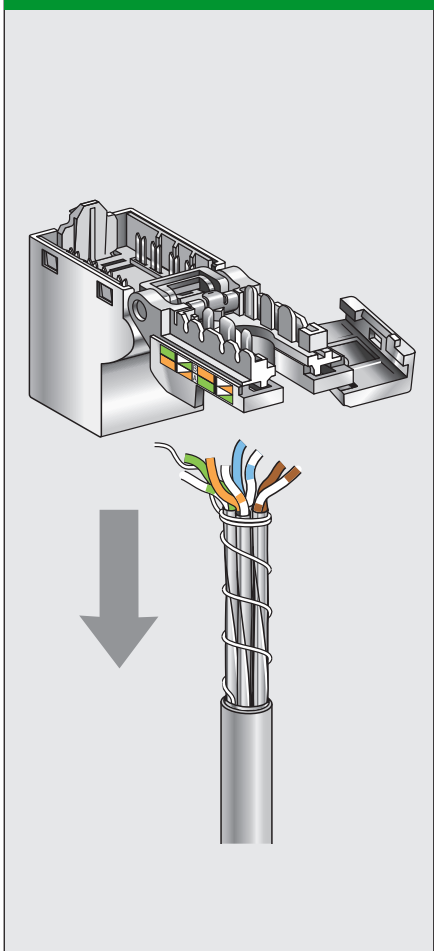
Connector connection

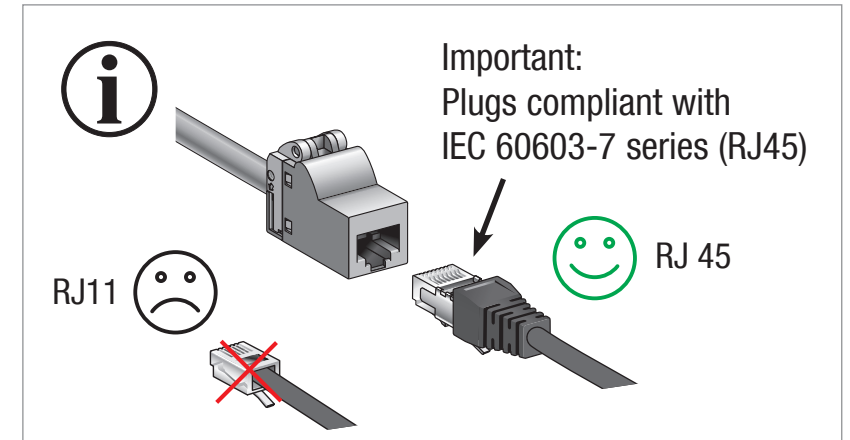
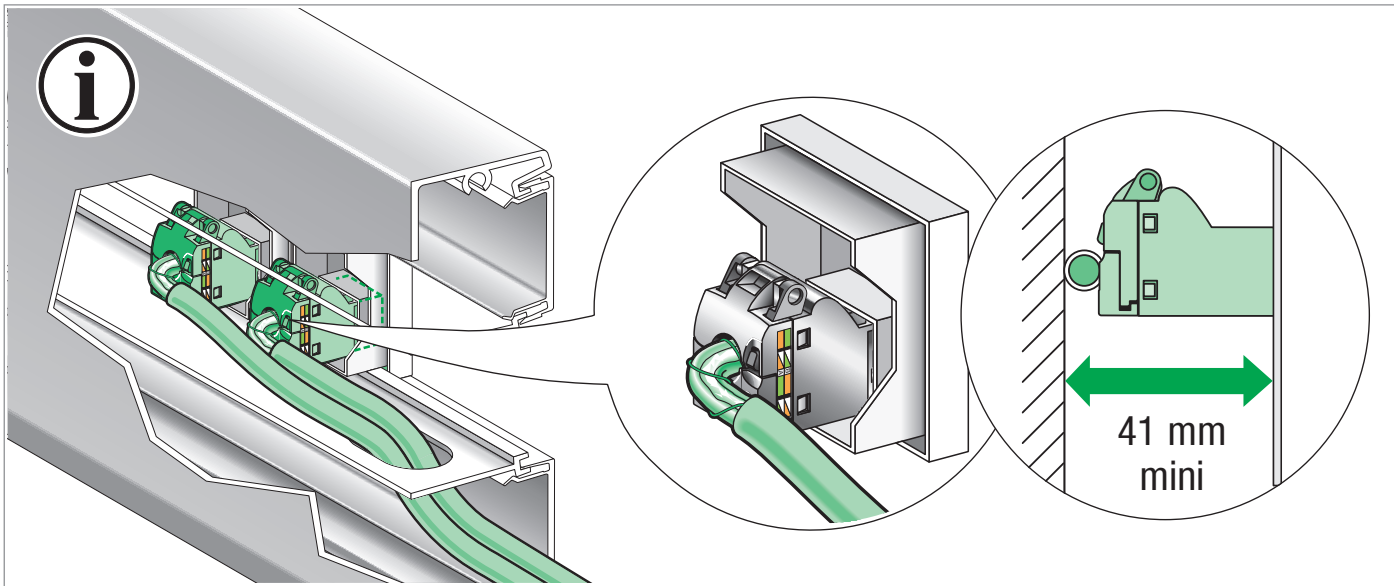
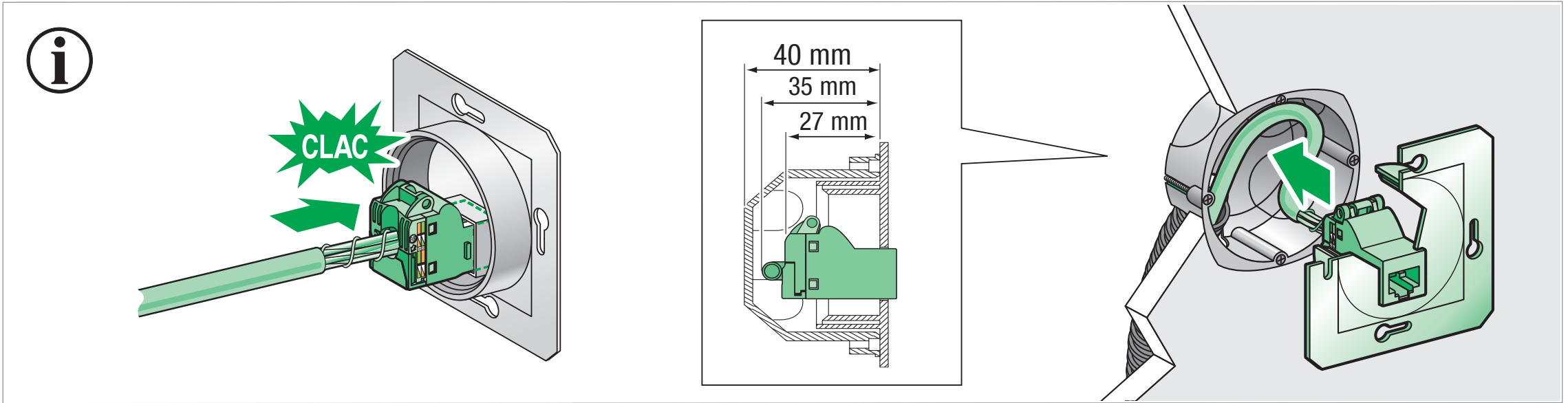
F/FTP



Connector disconnection

F/FTP

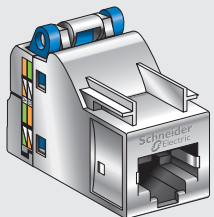




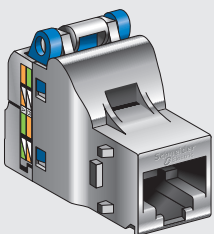
Composition

Shielded connector

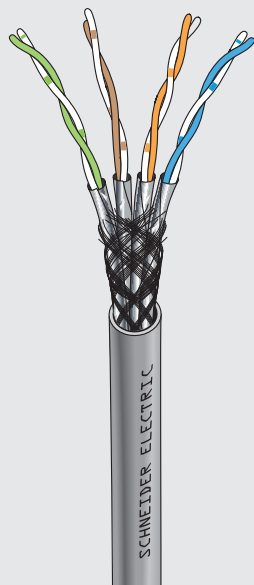
S-One



S-One DPM

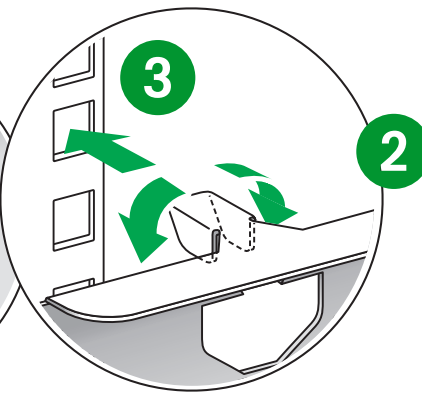
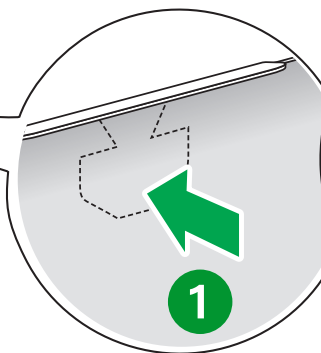
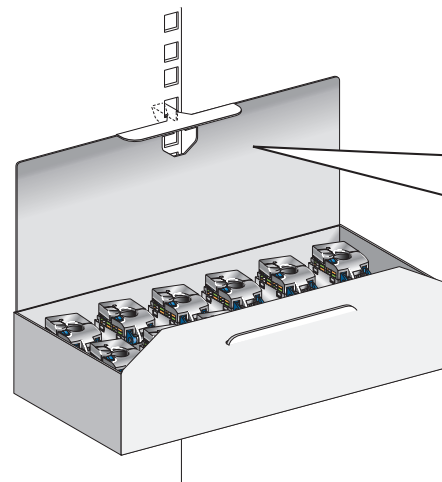
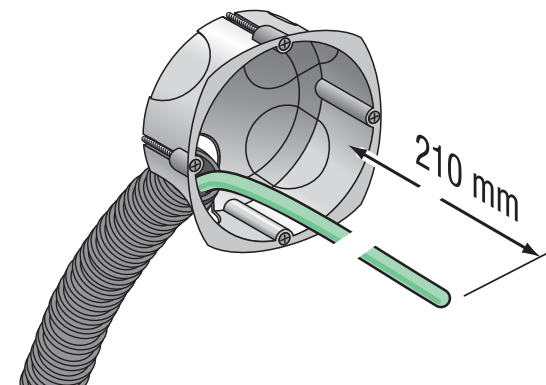


S/FTP



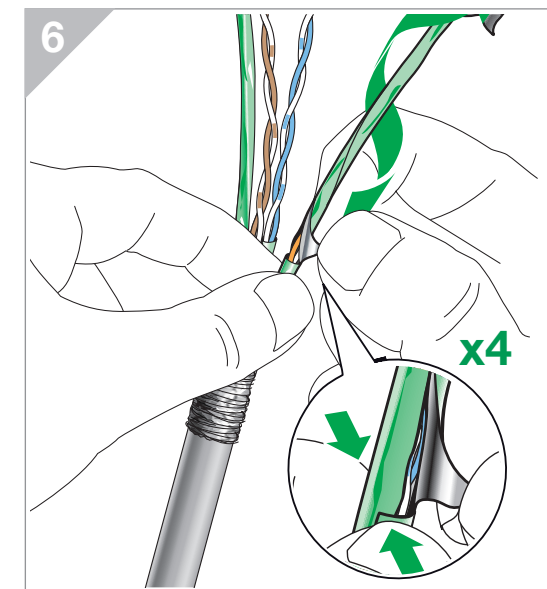
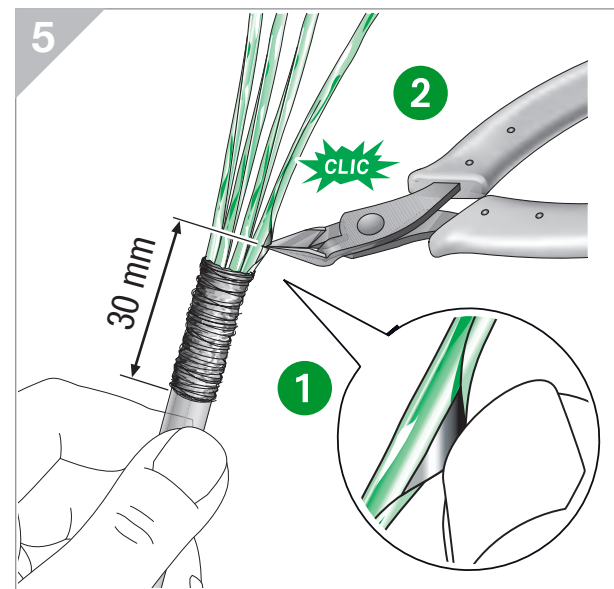
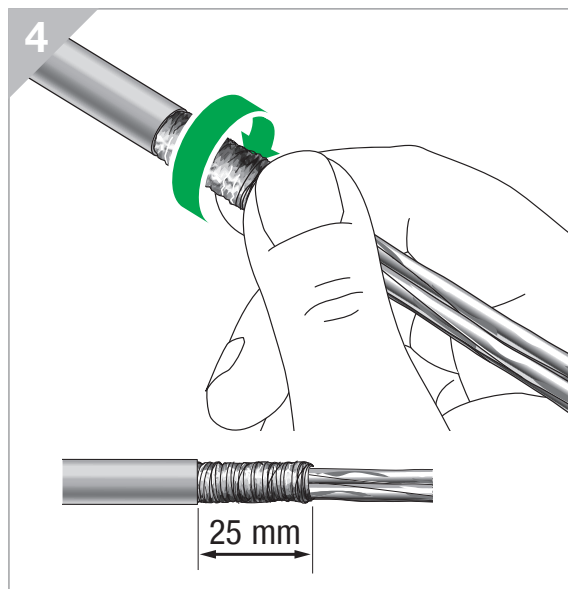
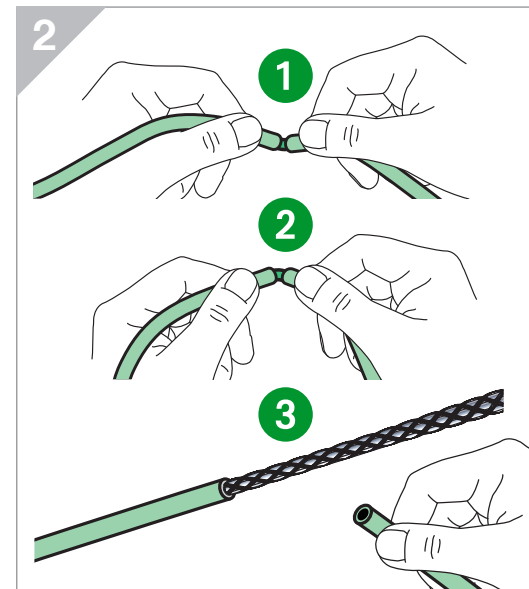
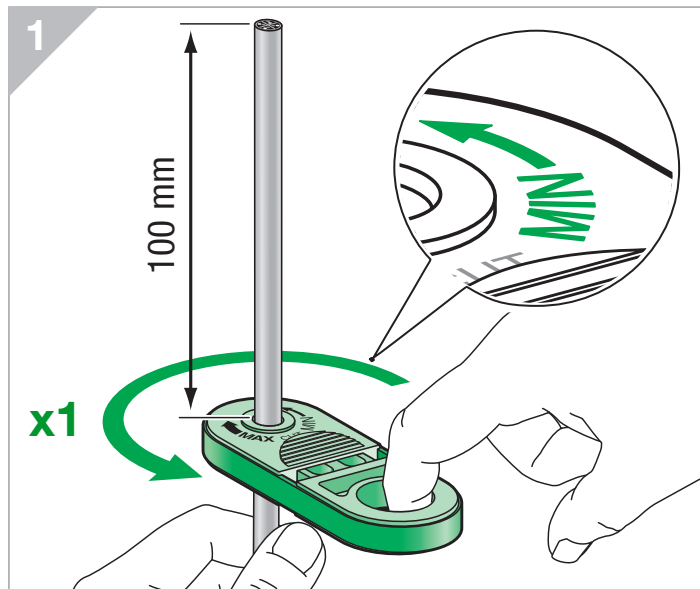
VDIR580020

x1



Cable preparation

S/FTP

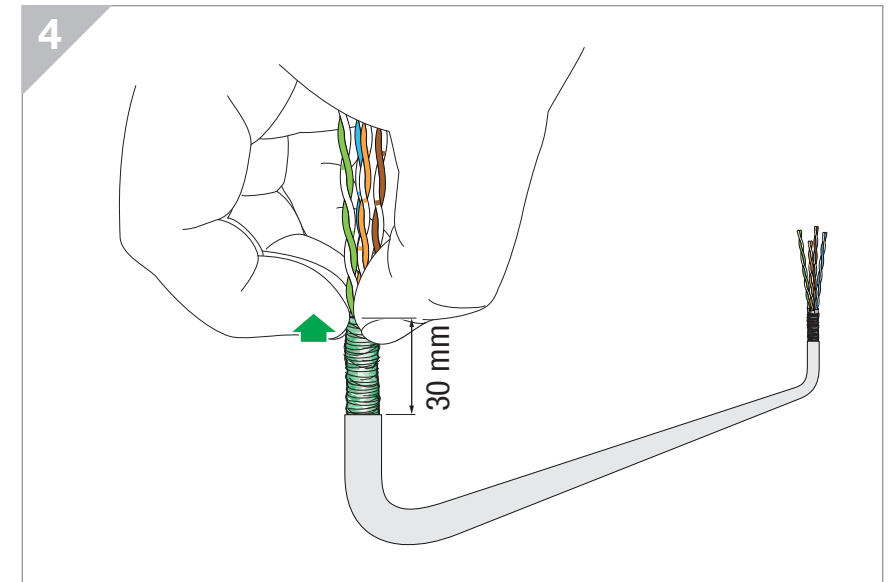
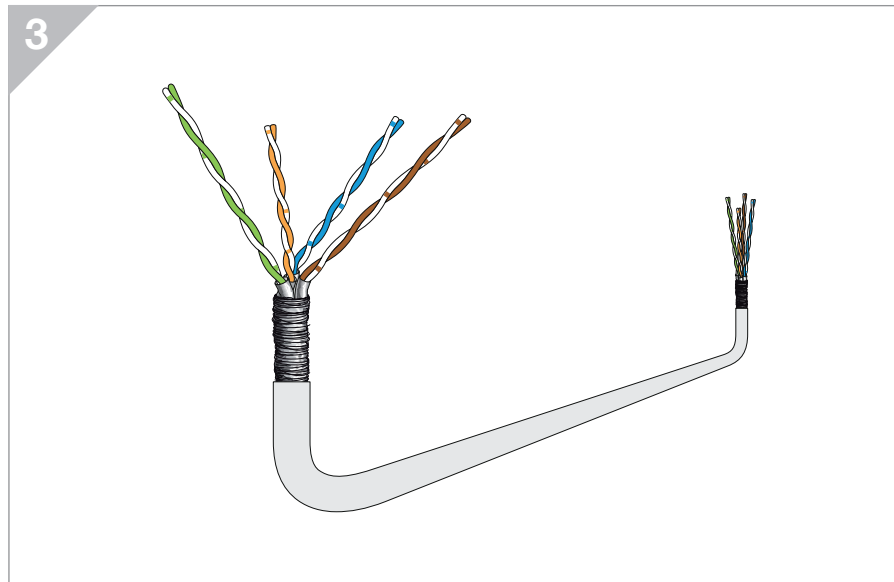
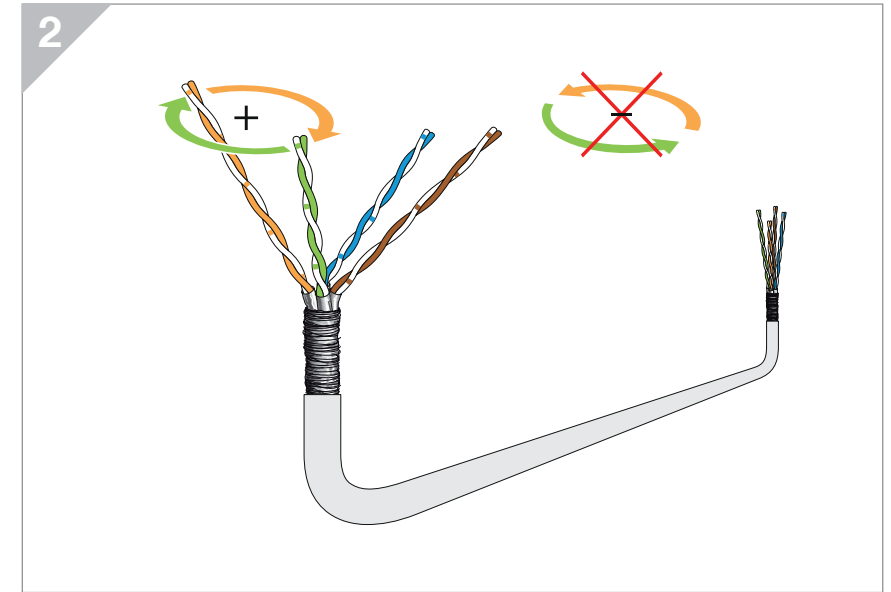
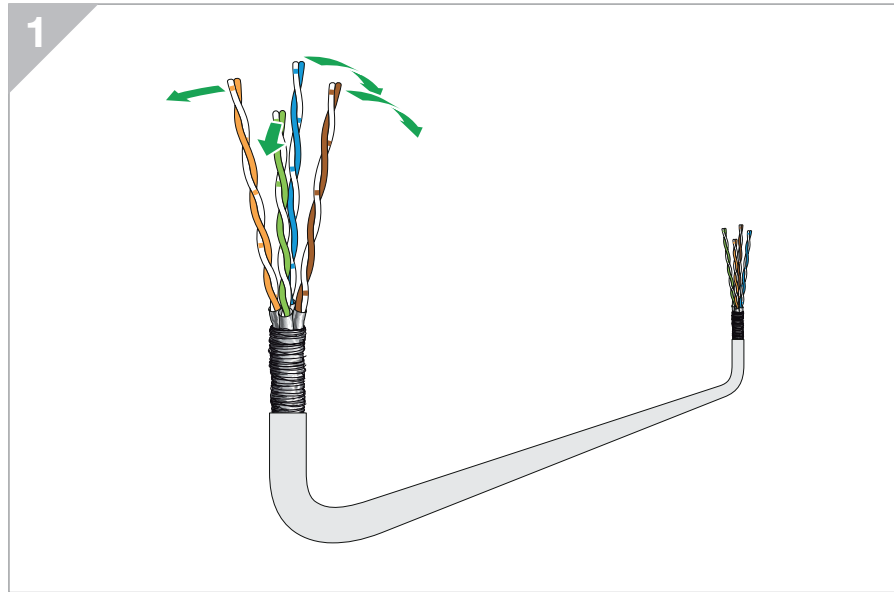
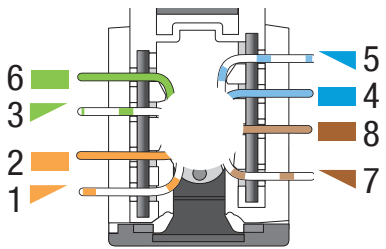


Pairs crossing

S/FTP

How to prepare a S/FTP cable with EIA-TIA 568B to reach high performance

EIA-TIA 568B (100Ω)

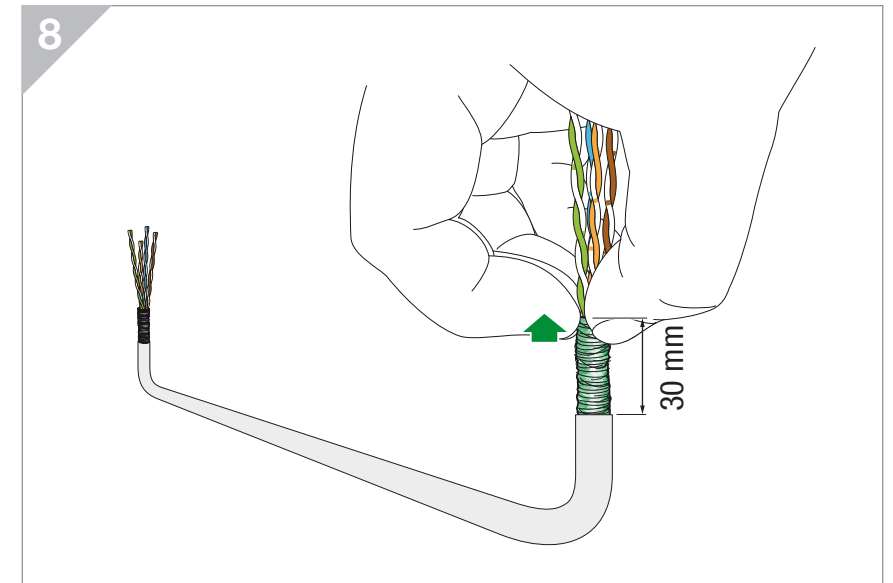
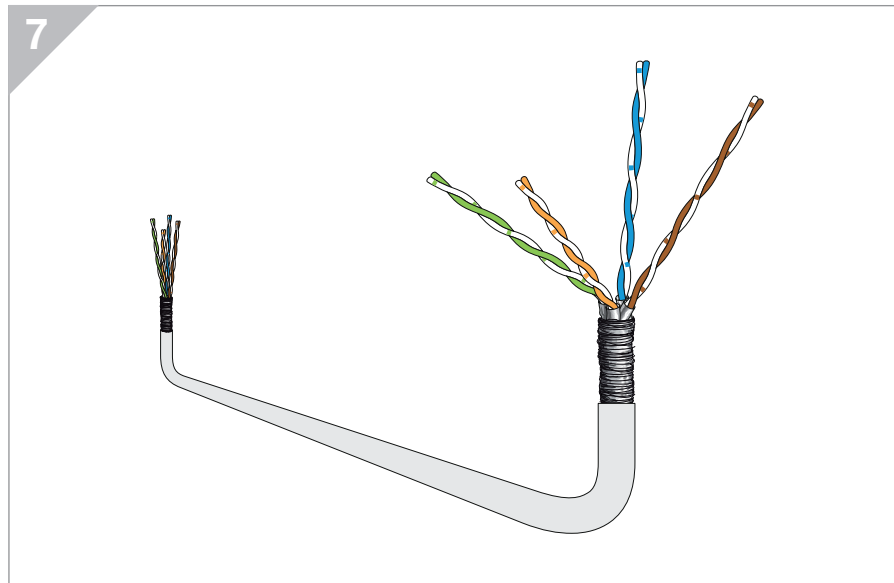
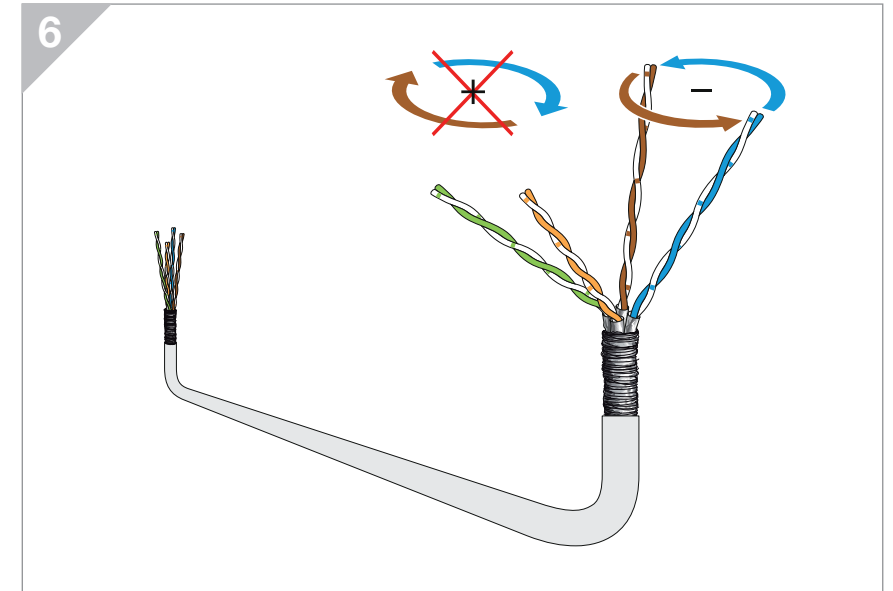
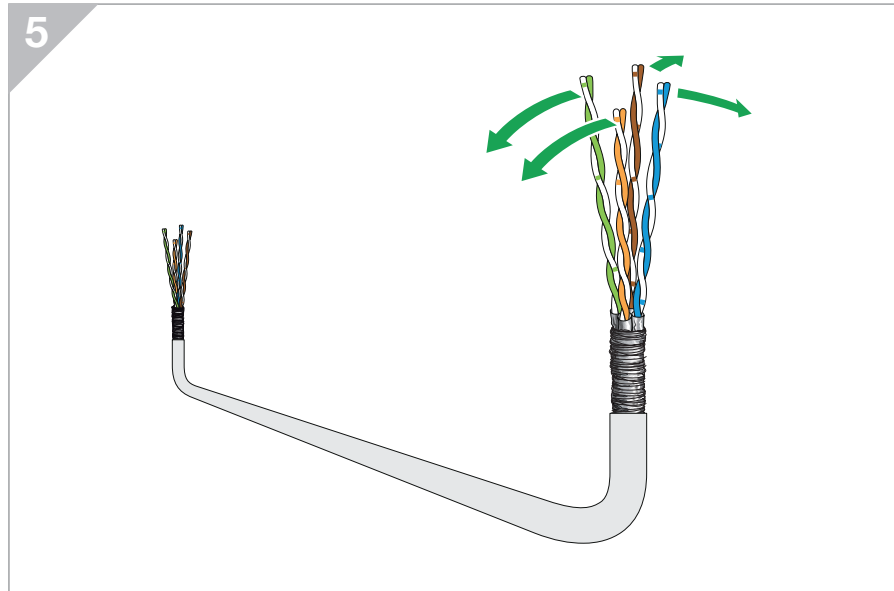
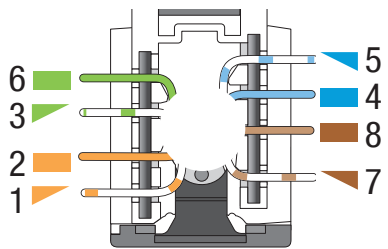


Pairs crossing

S/FTP

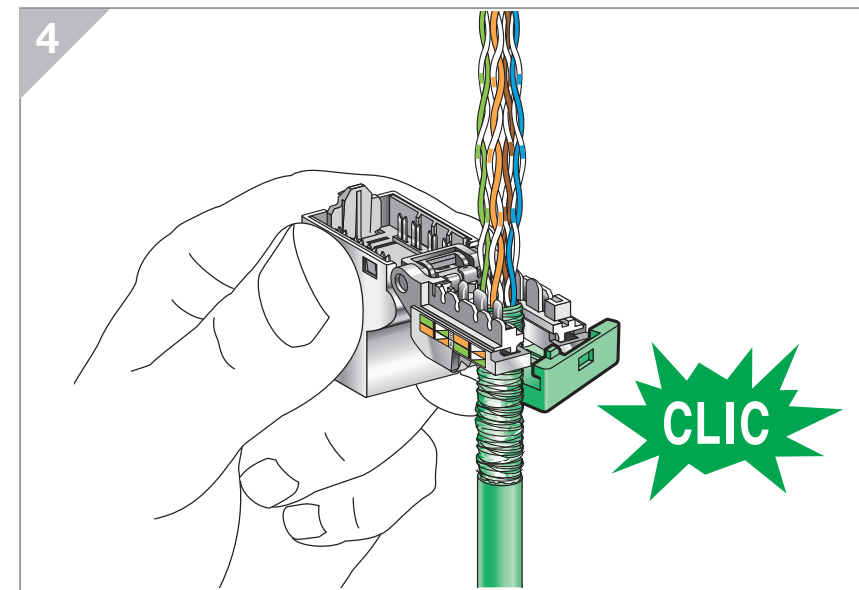
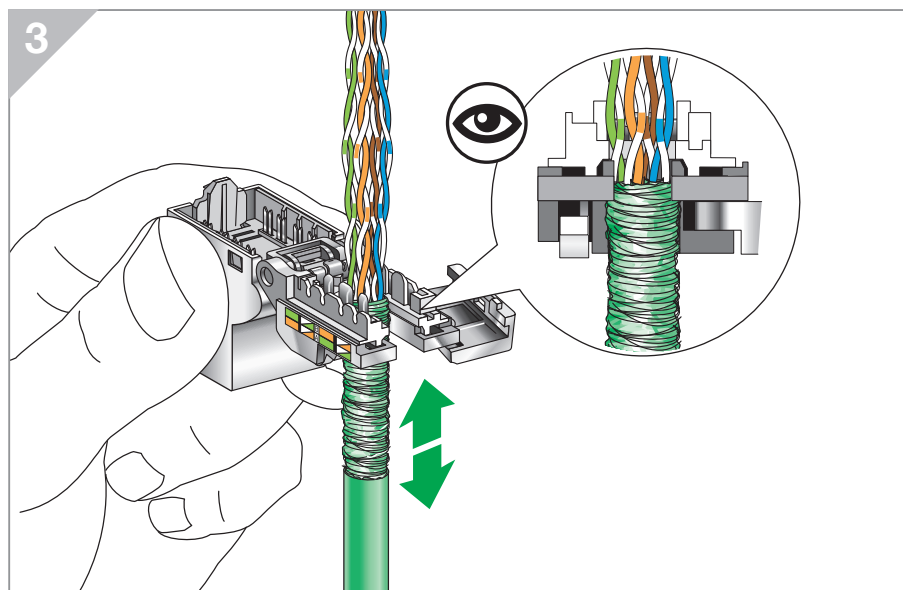
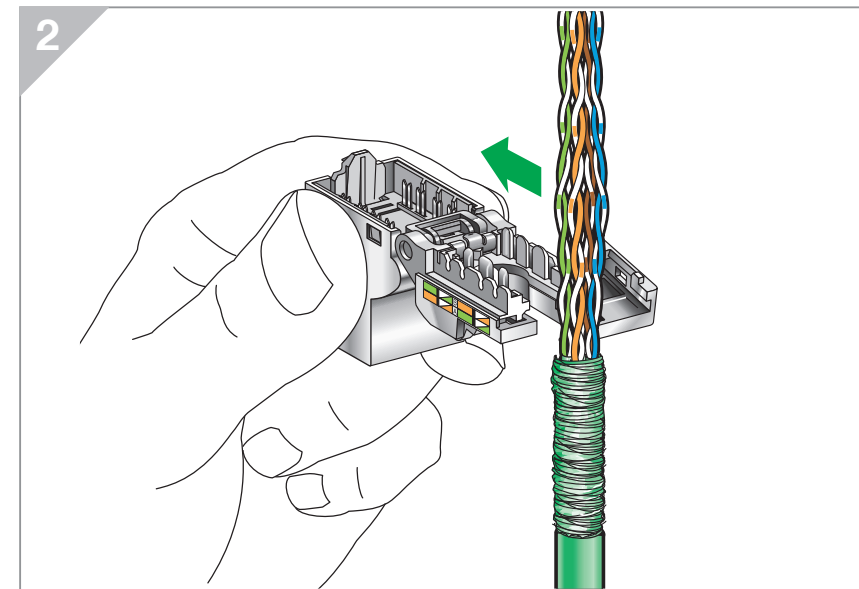
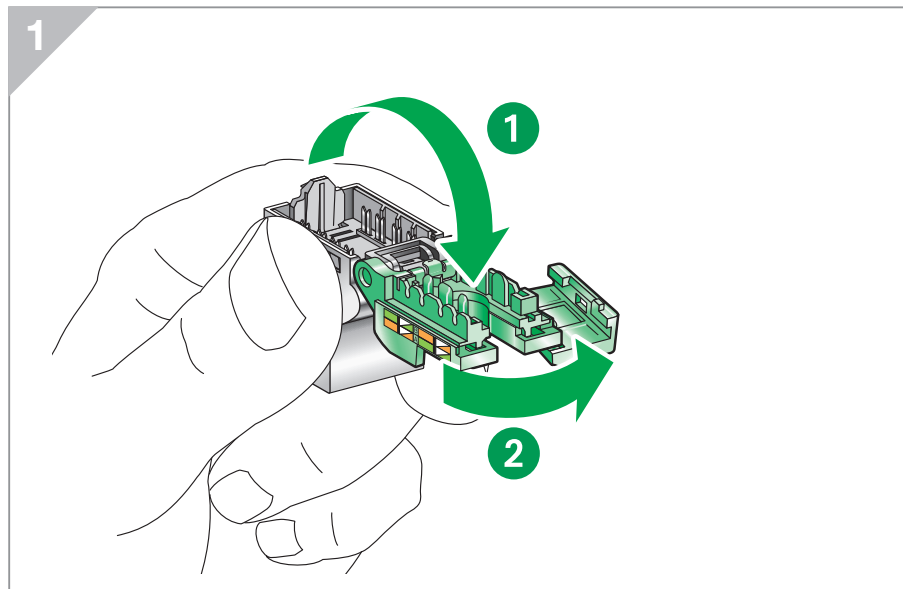
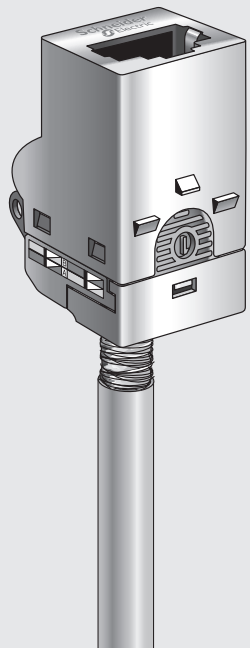
How to prepare a S/FTP cable with EIA-TIA 568B to reach high performance

EIA-TIA 568B (100Ω)



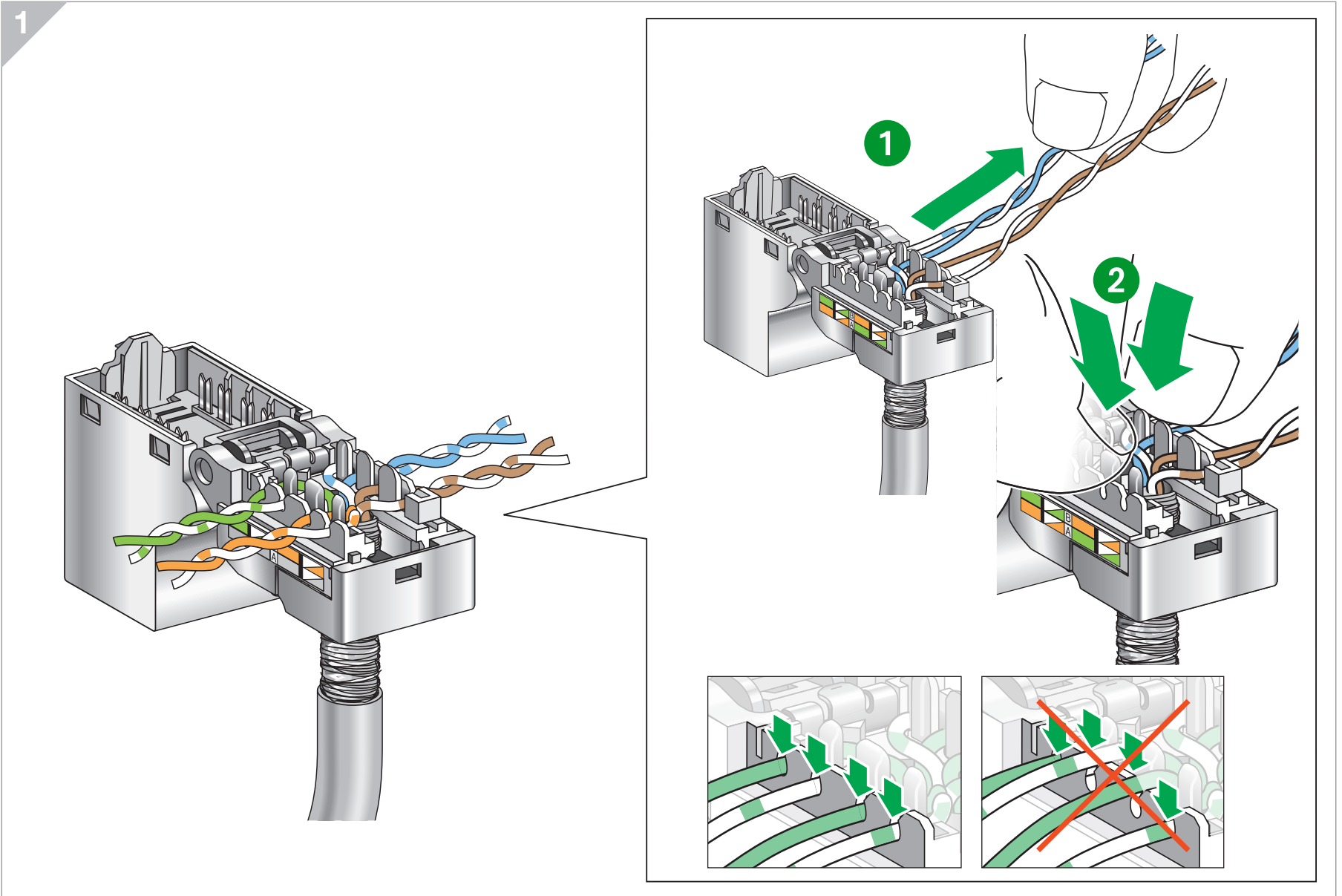
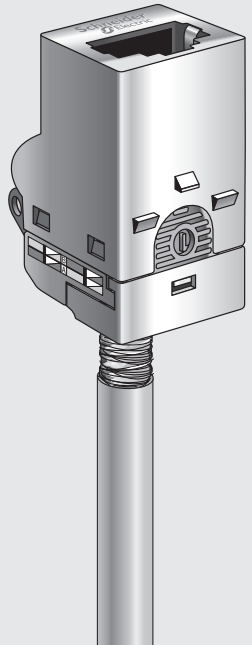
Connector wiring

S/FTP



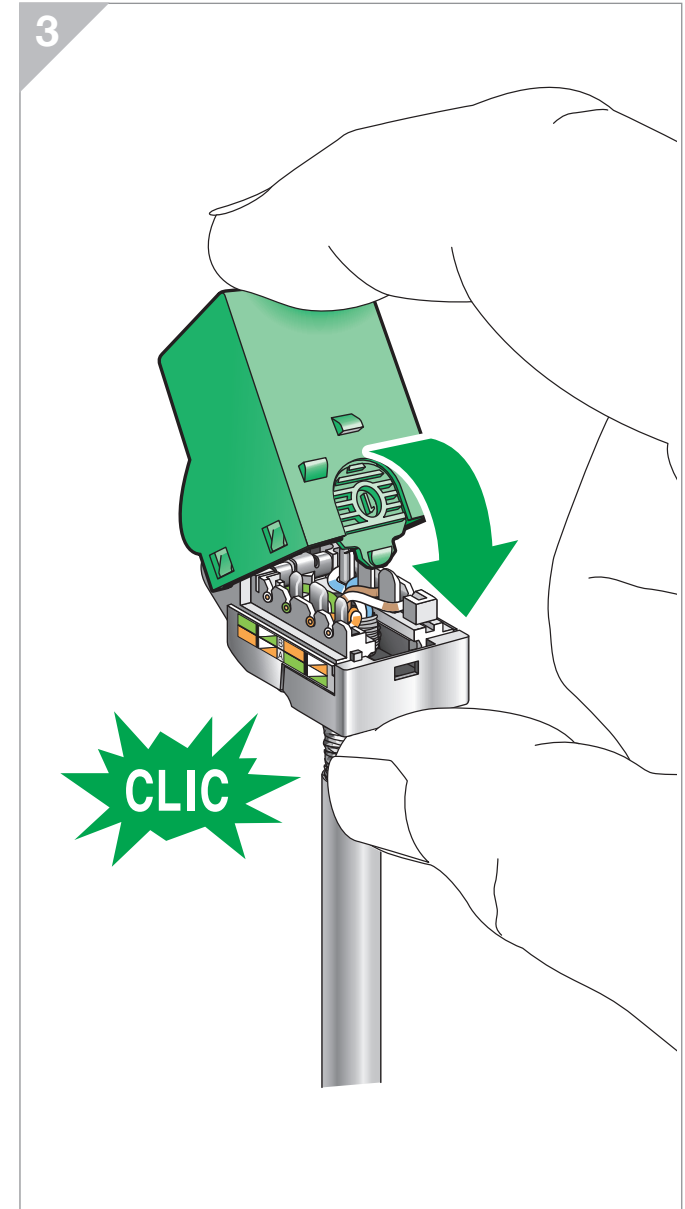
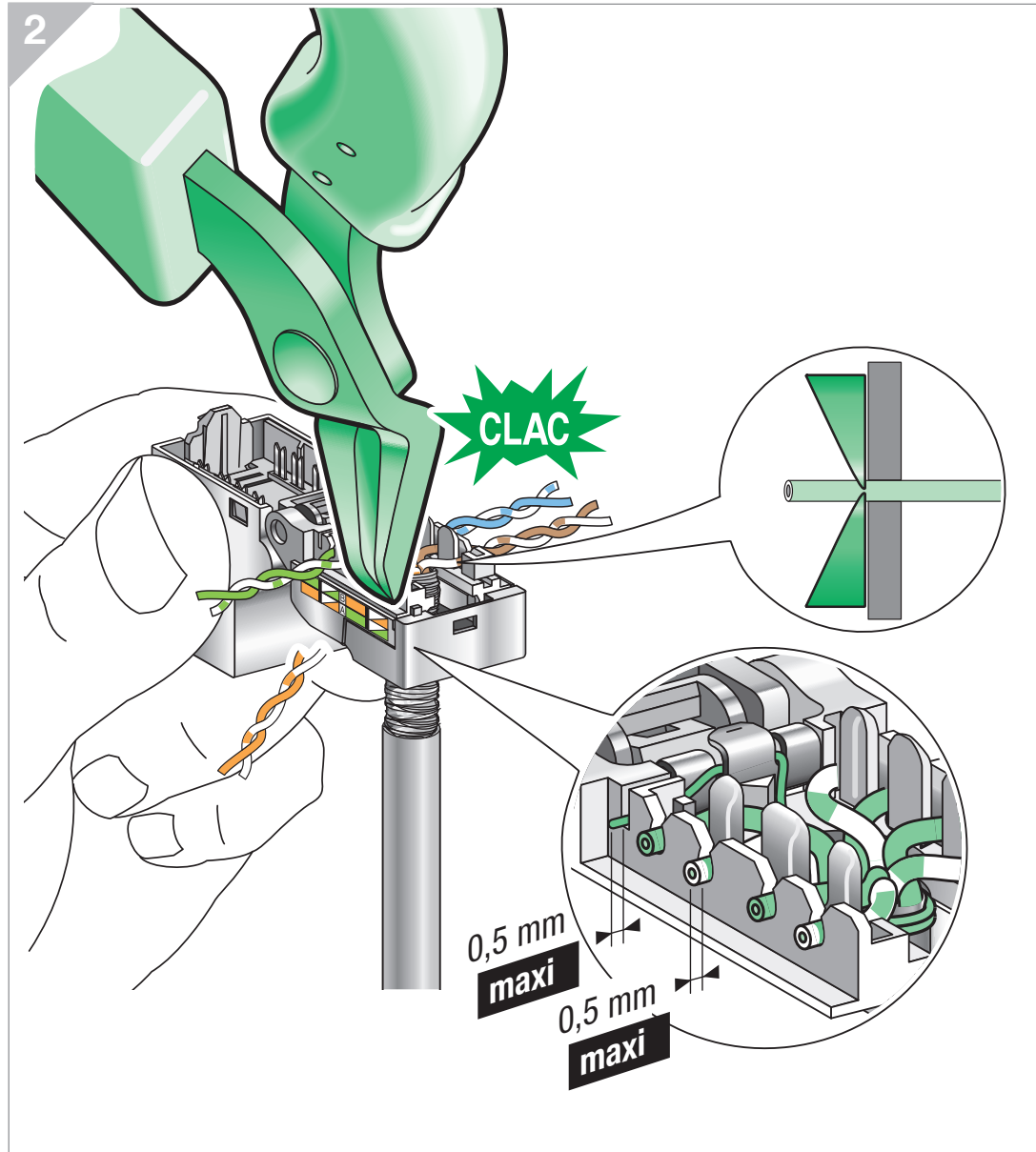
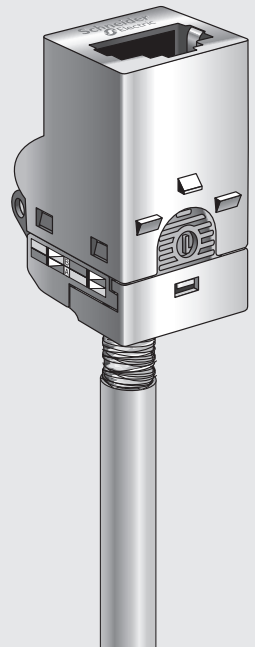
Connector connection

S/FTP



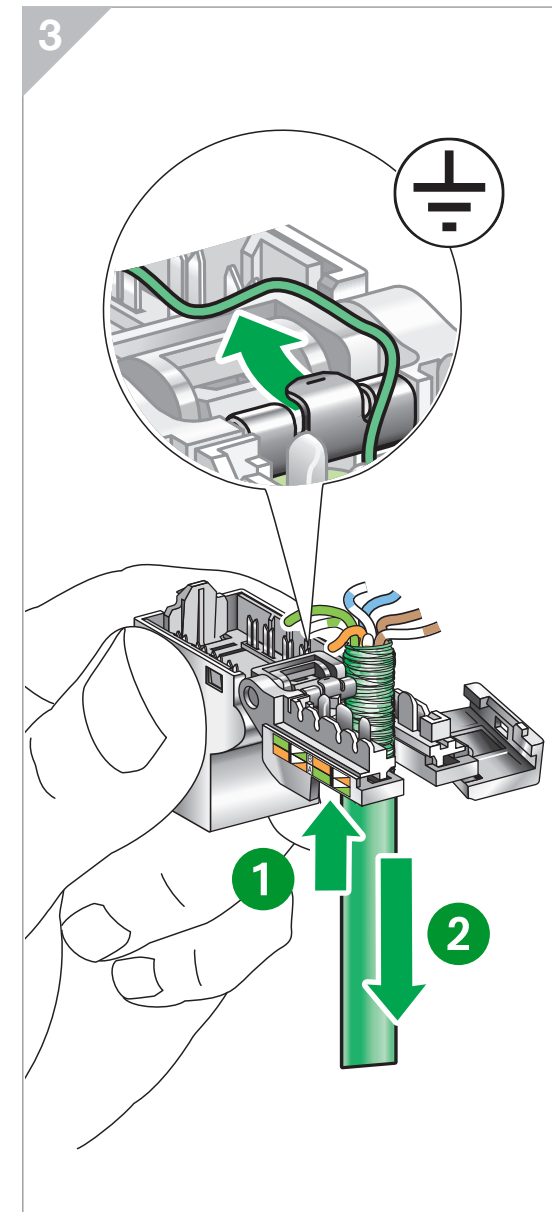
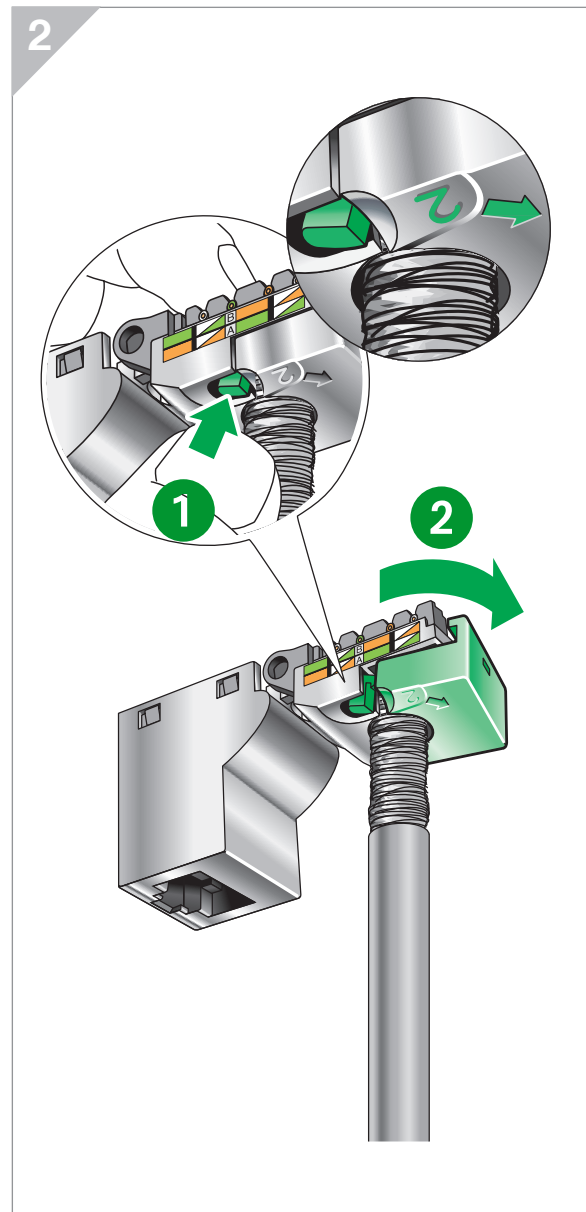
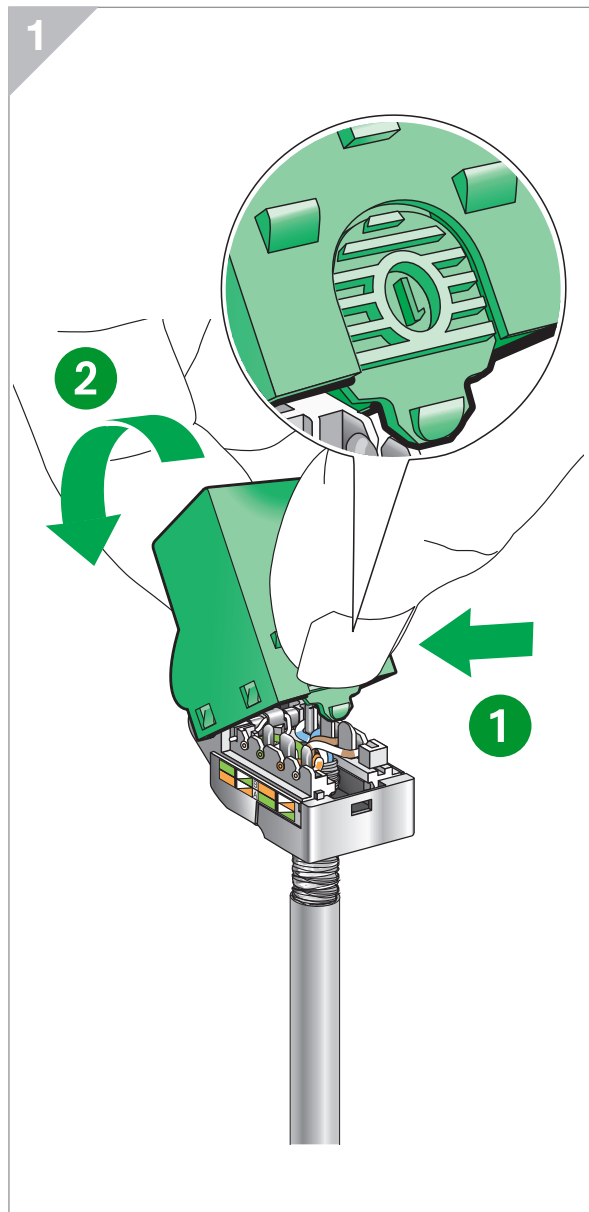
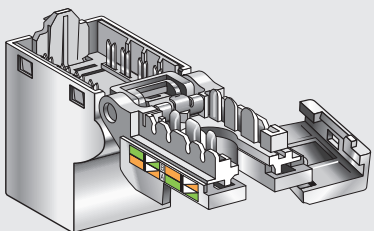
Connector connection

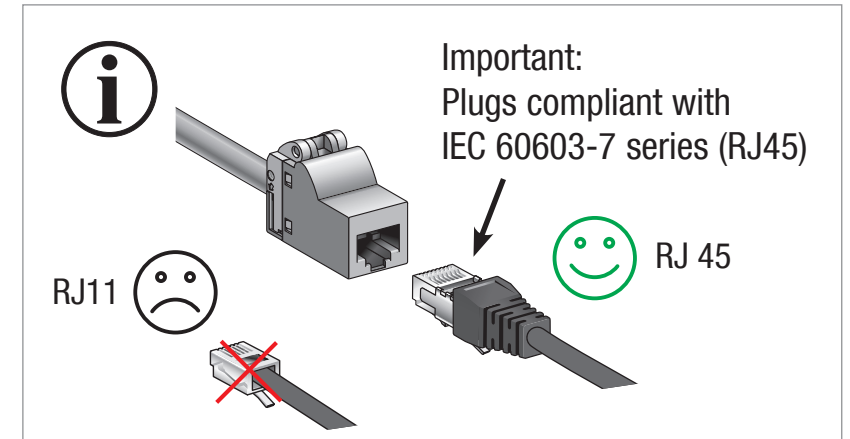
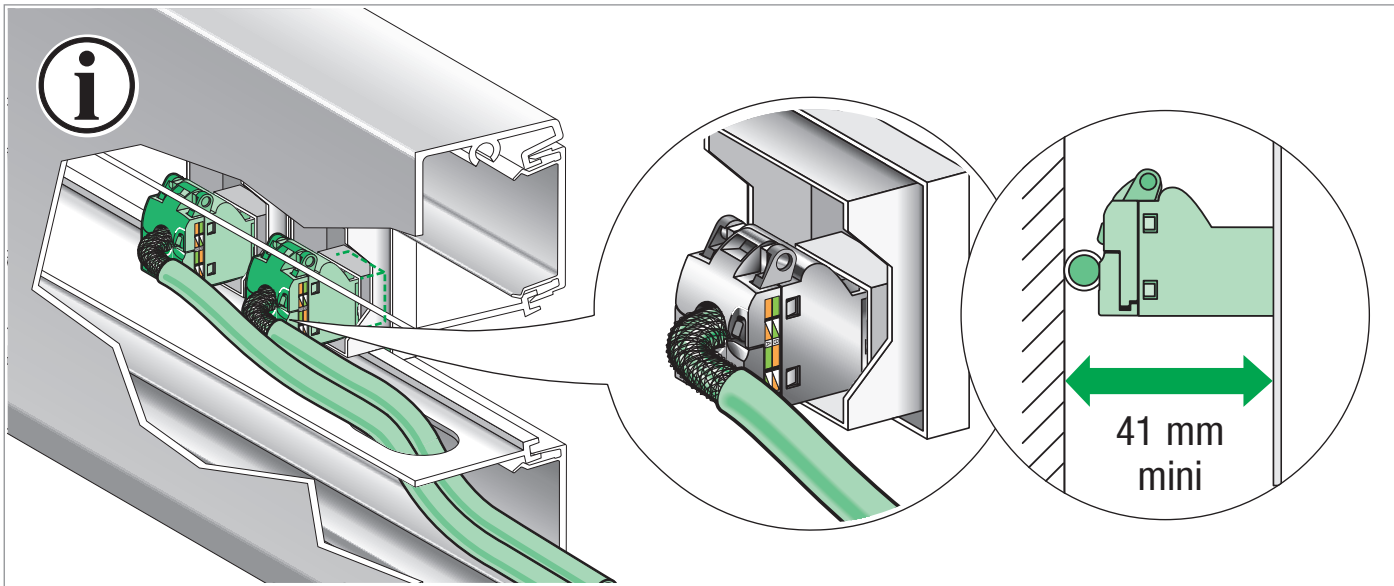
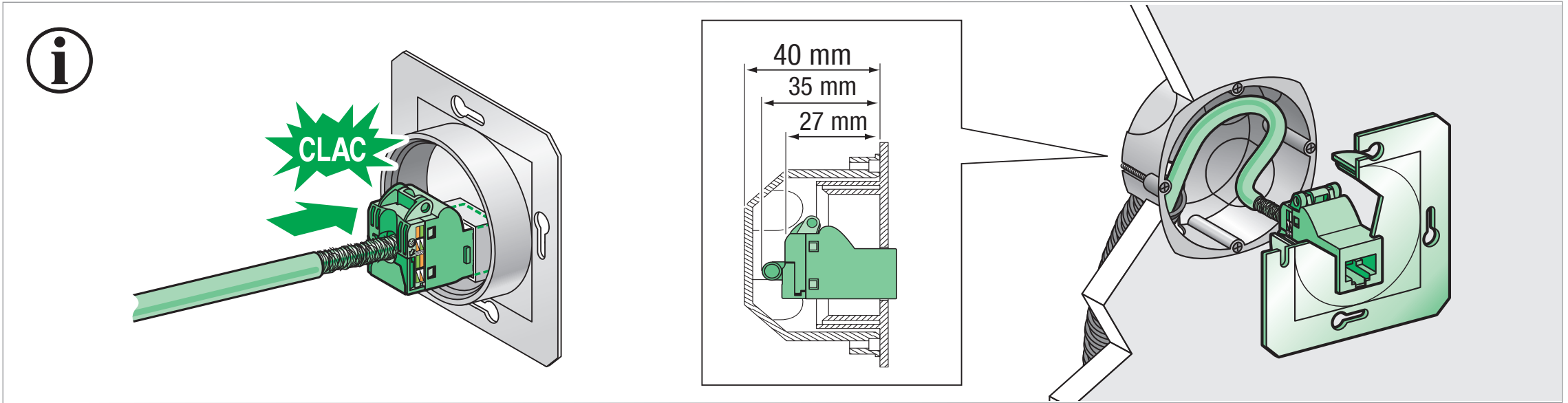
S/FTP



Connector disconnection

S/FTP

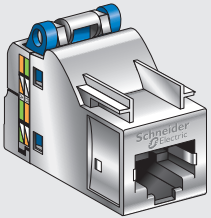




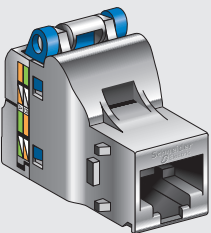
Composition

Shielded connector

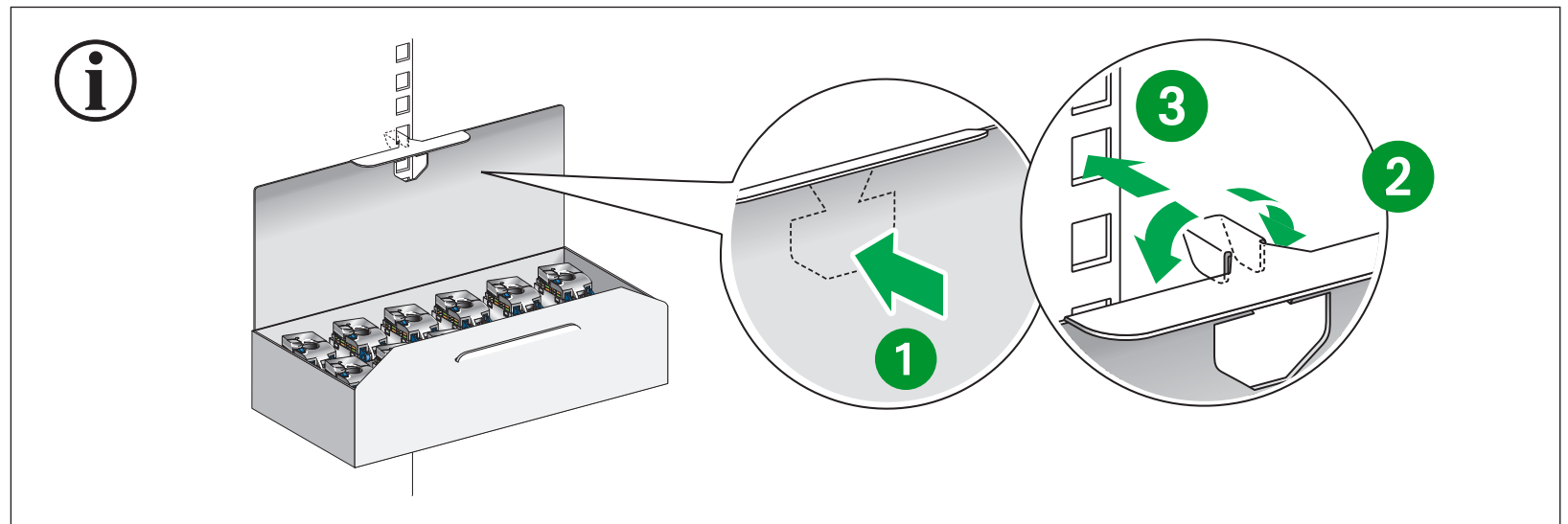
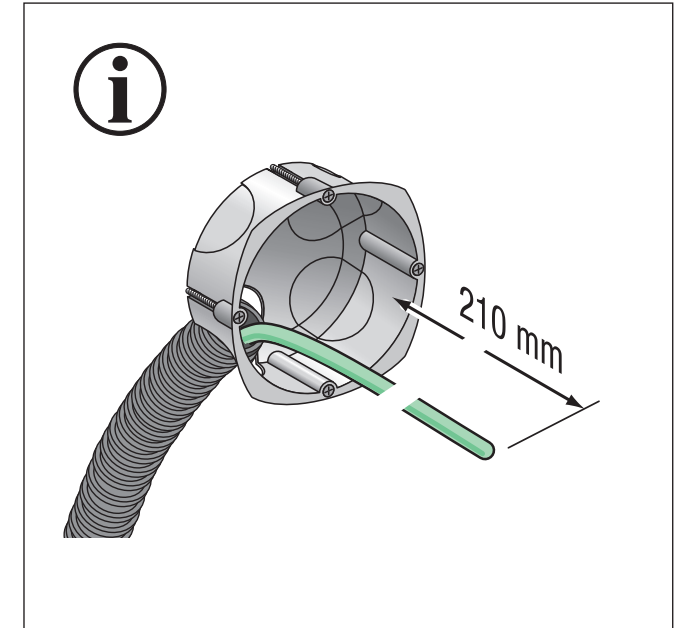
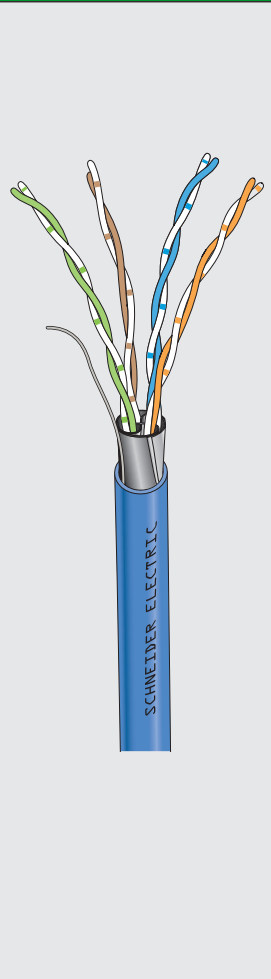
S-One



S-One DPM

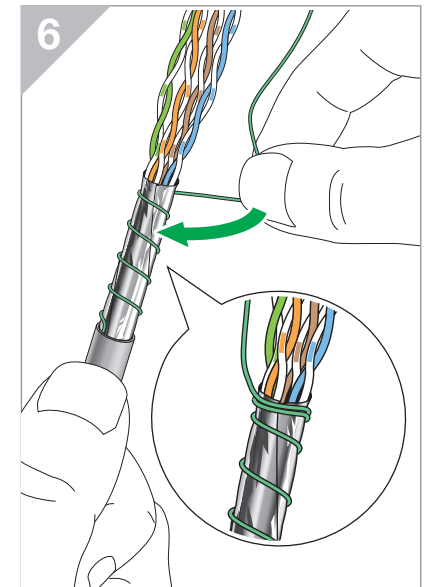
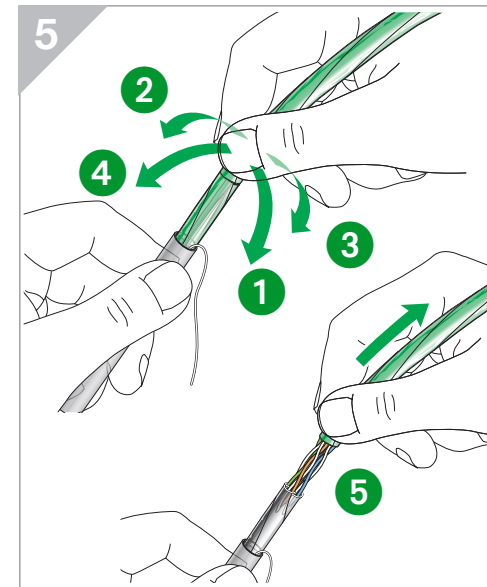
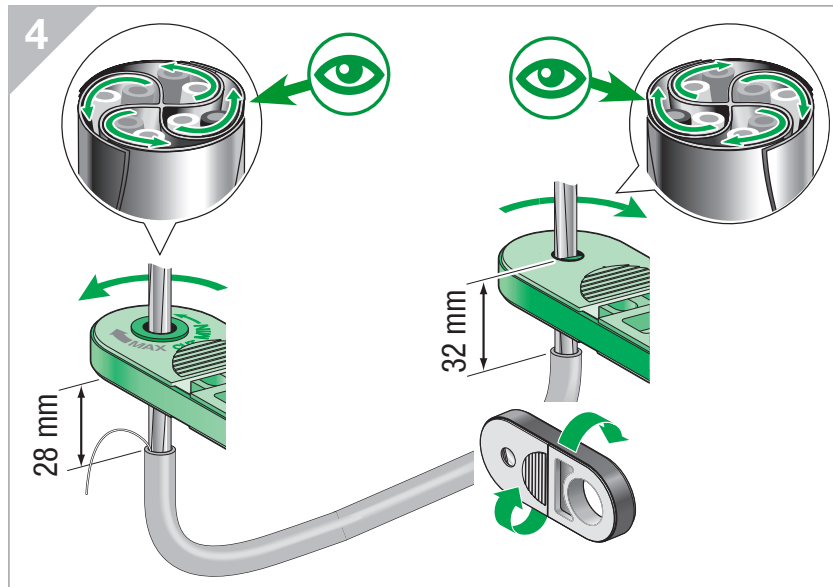
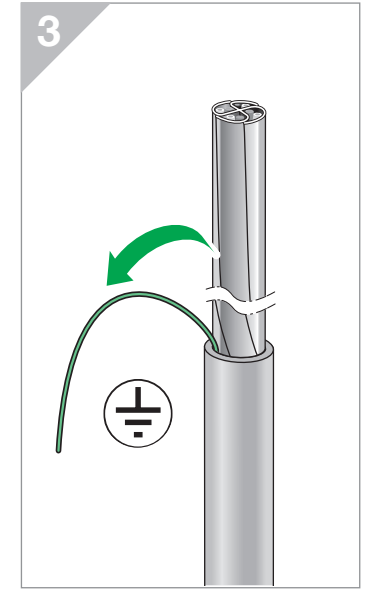
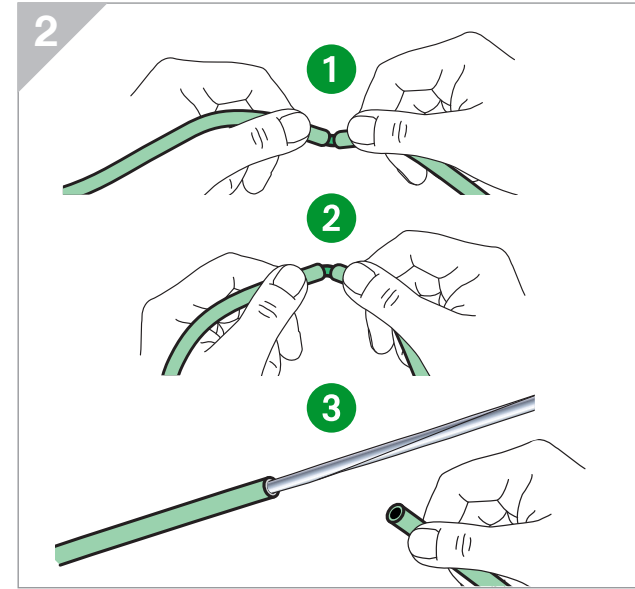
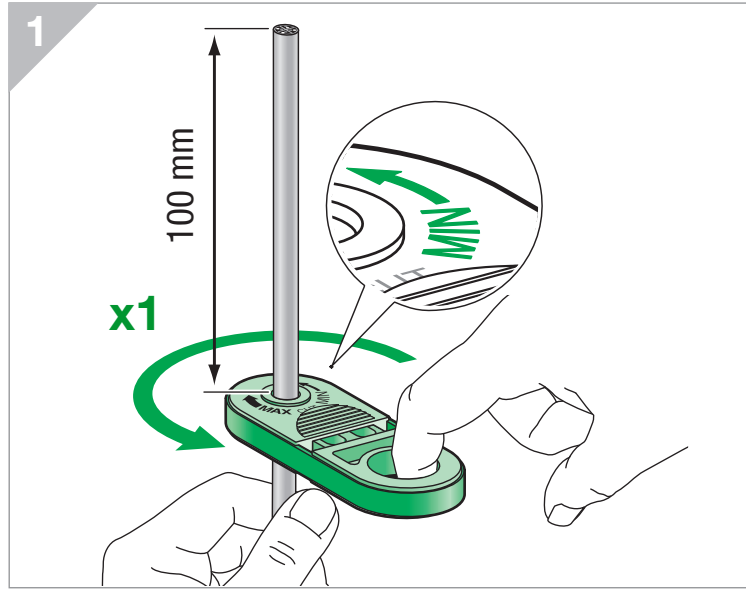


CLMX F/FTP



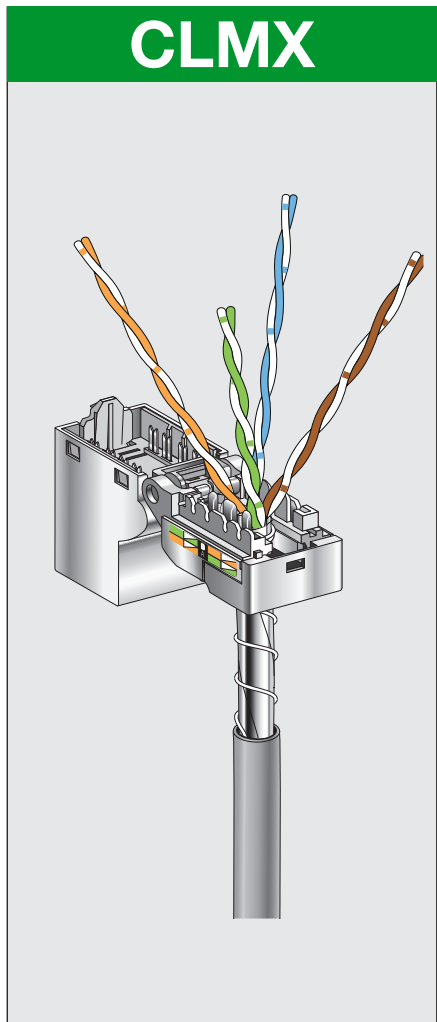
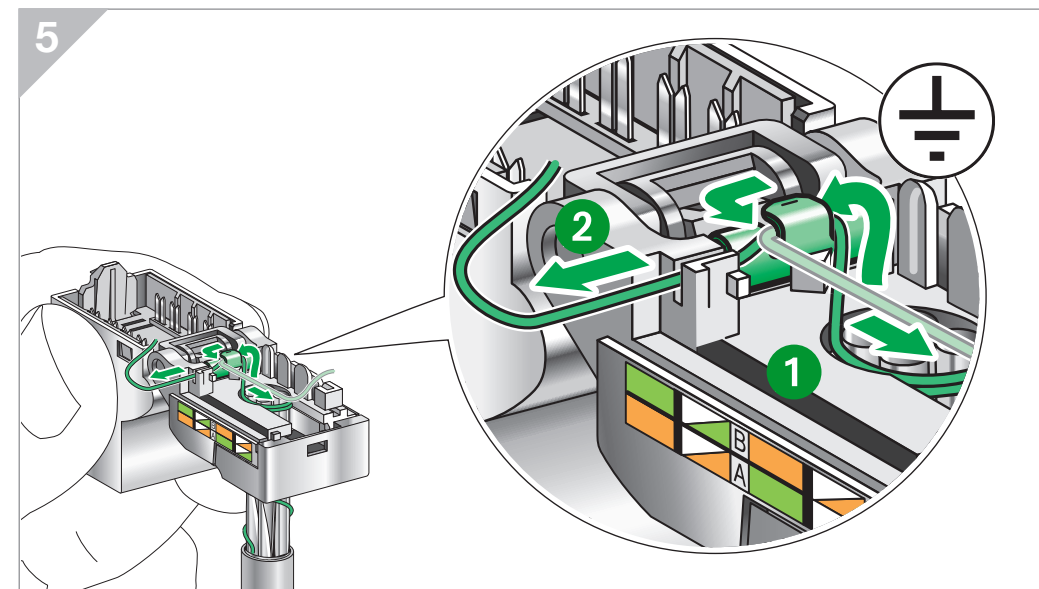
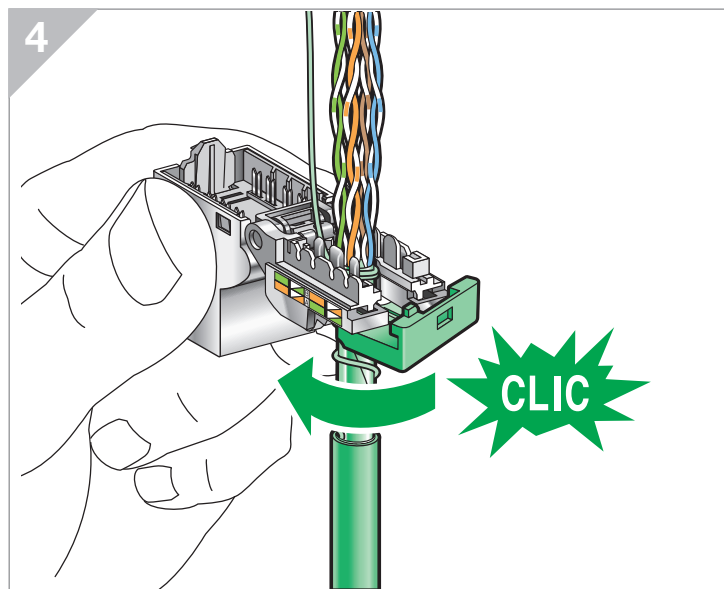
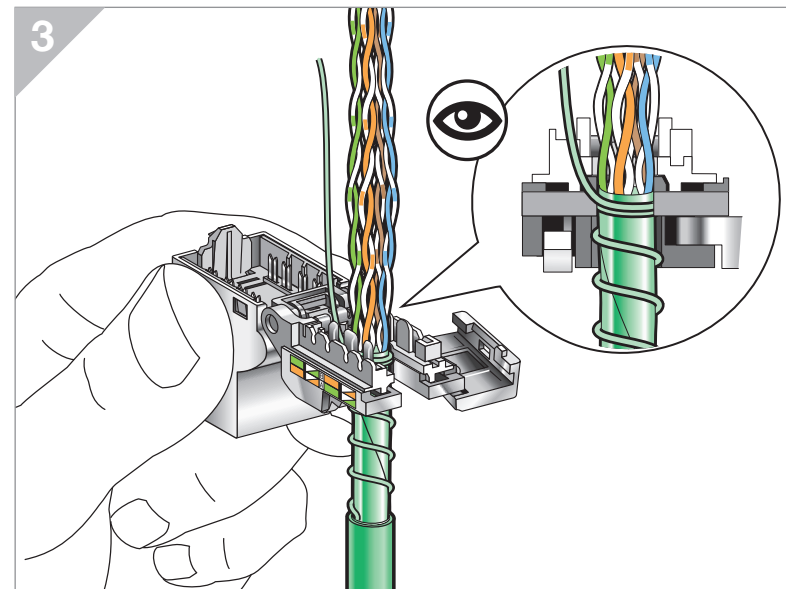
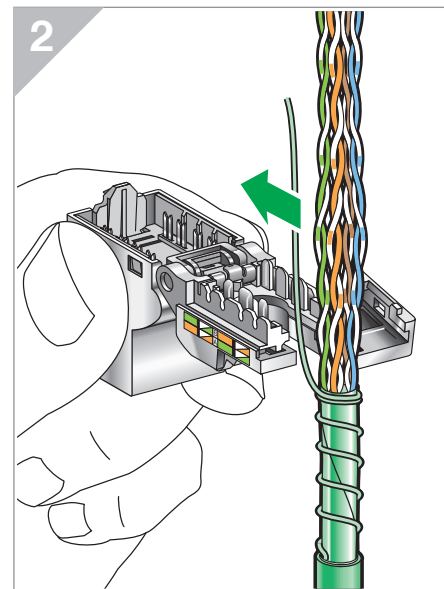
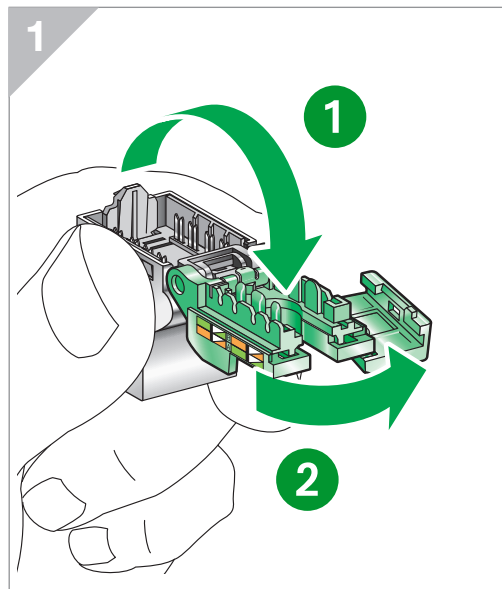
Cable preparation

CLMX



Connector wiring

CLMX

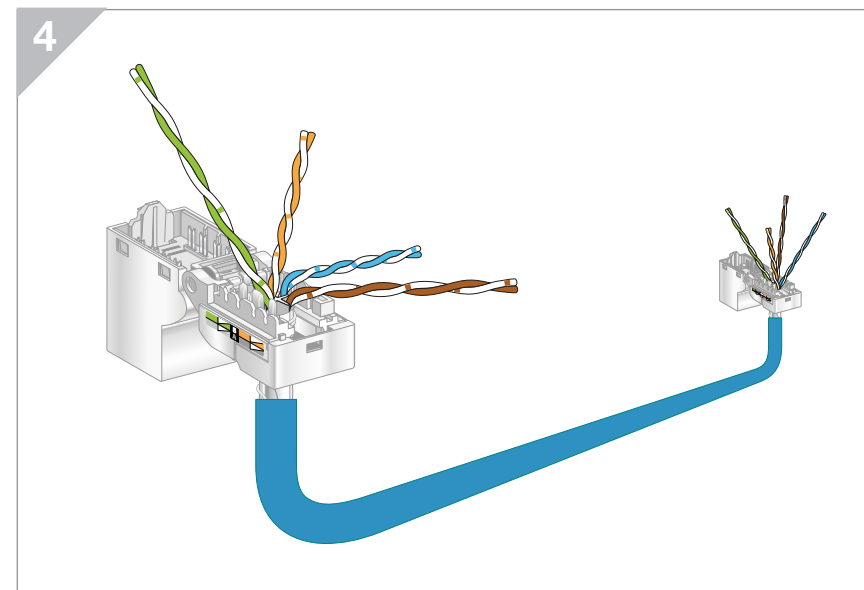
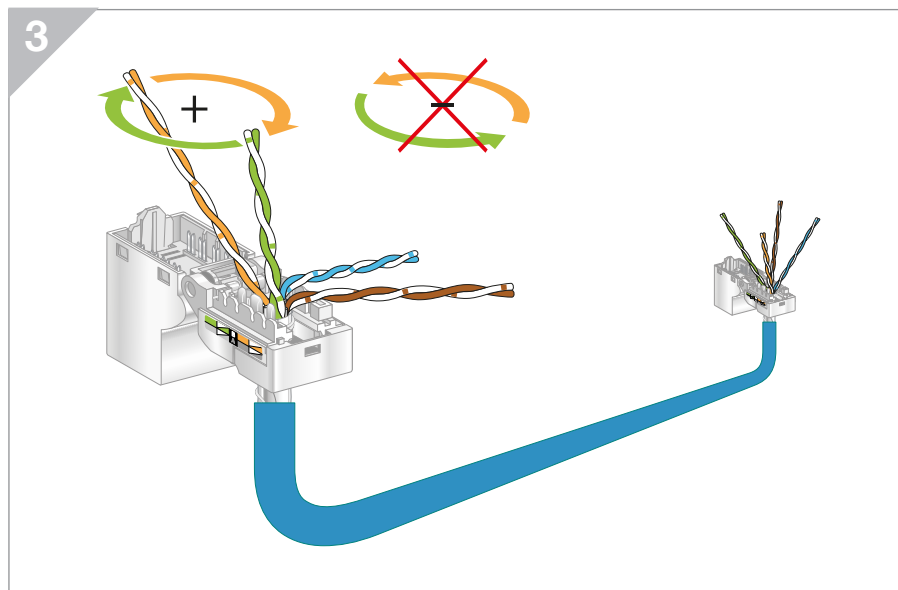
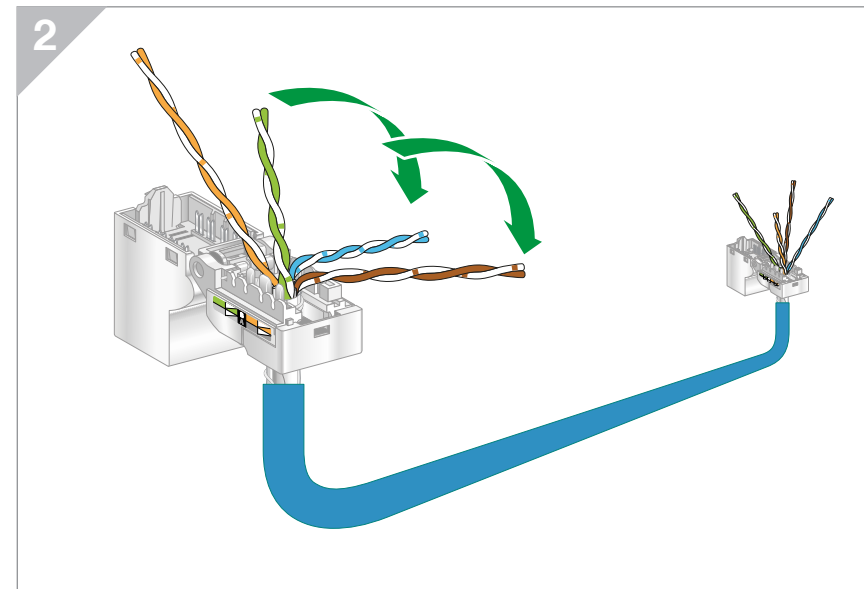
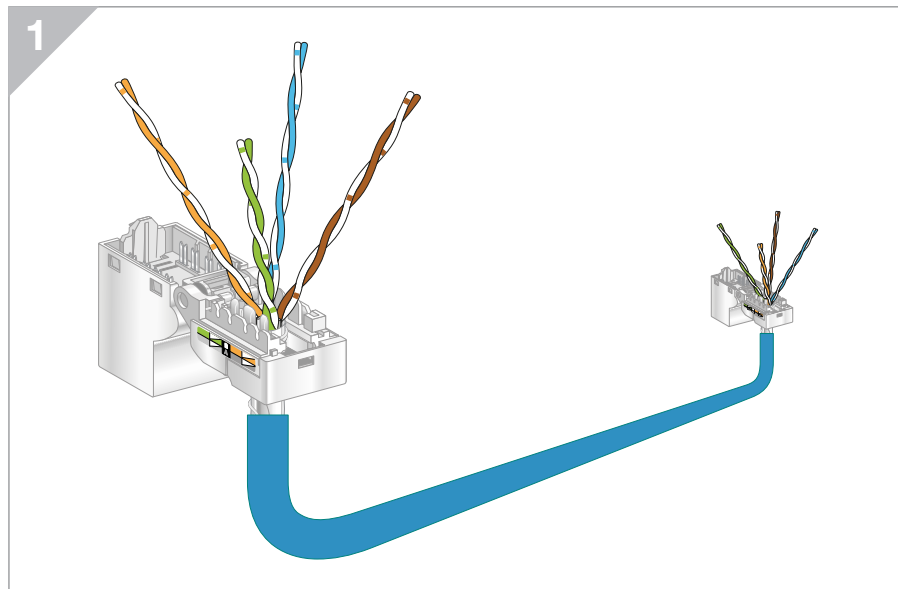
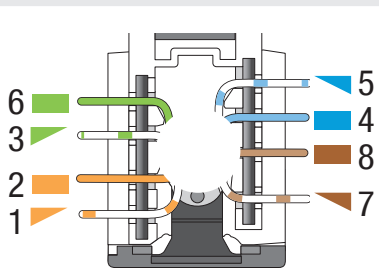


Pairs crossing

CLMX

How to prepare a CLMX cable with EIA-TIA 568B to reach high performance

EIA-TIA 568B (100Ω)

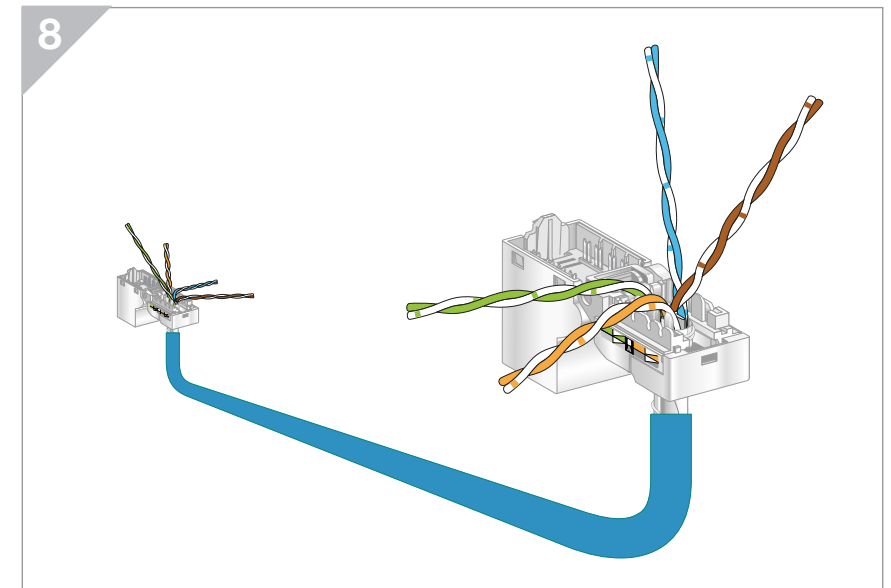
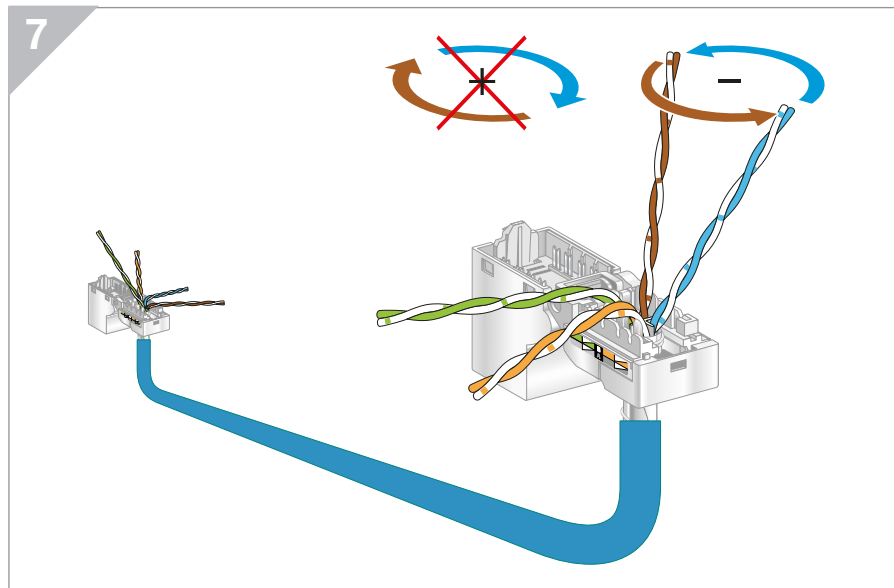
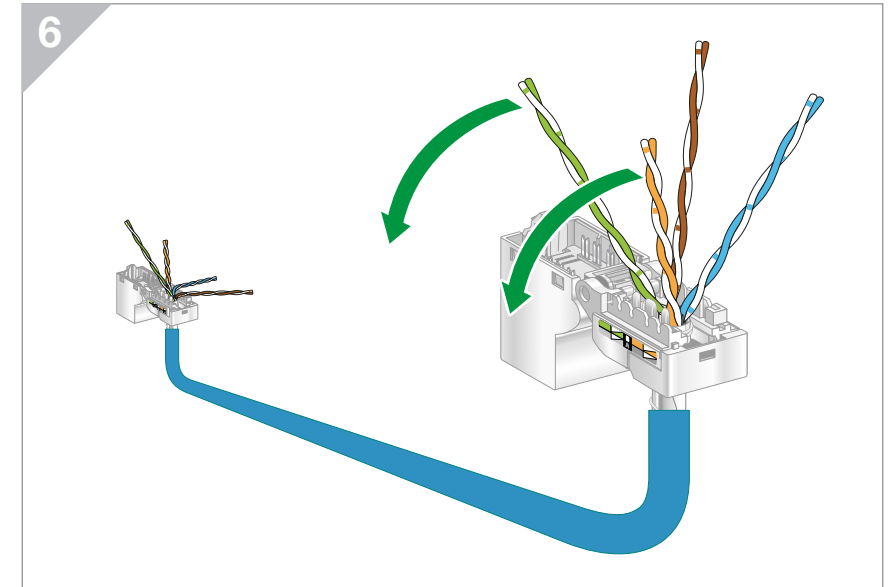
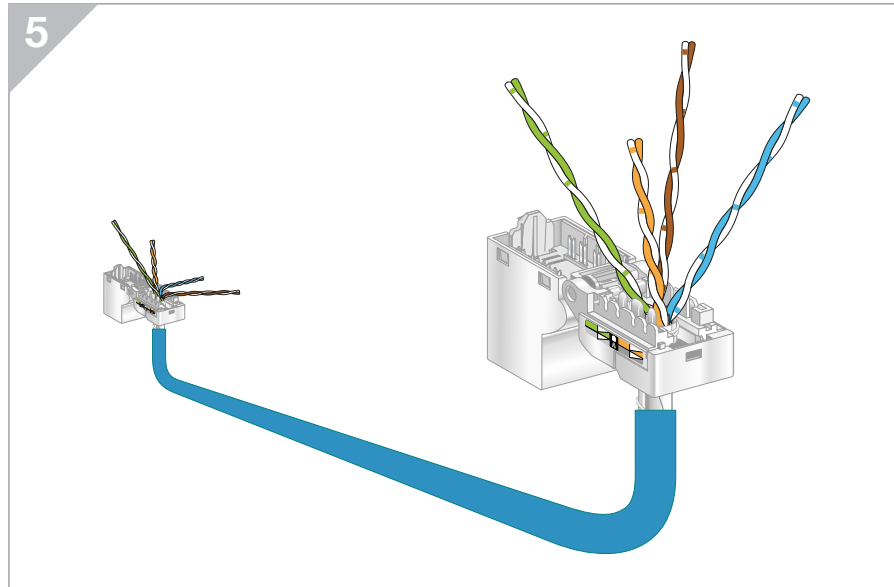
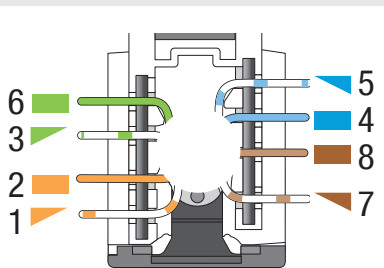


Pairs crossing

CLMX

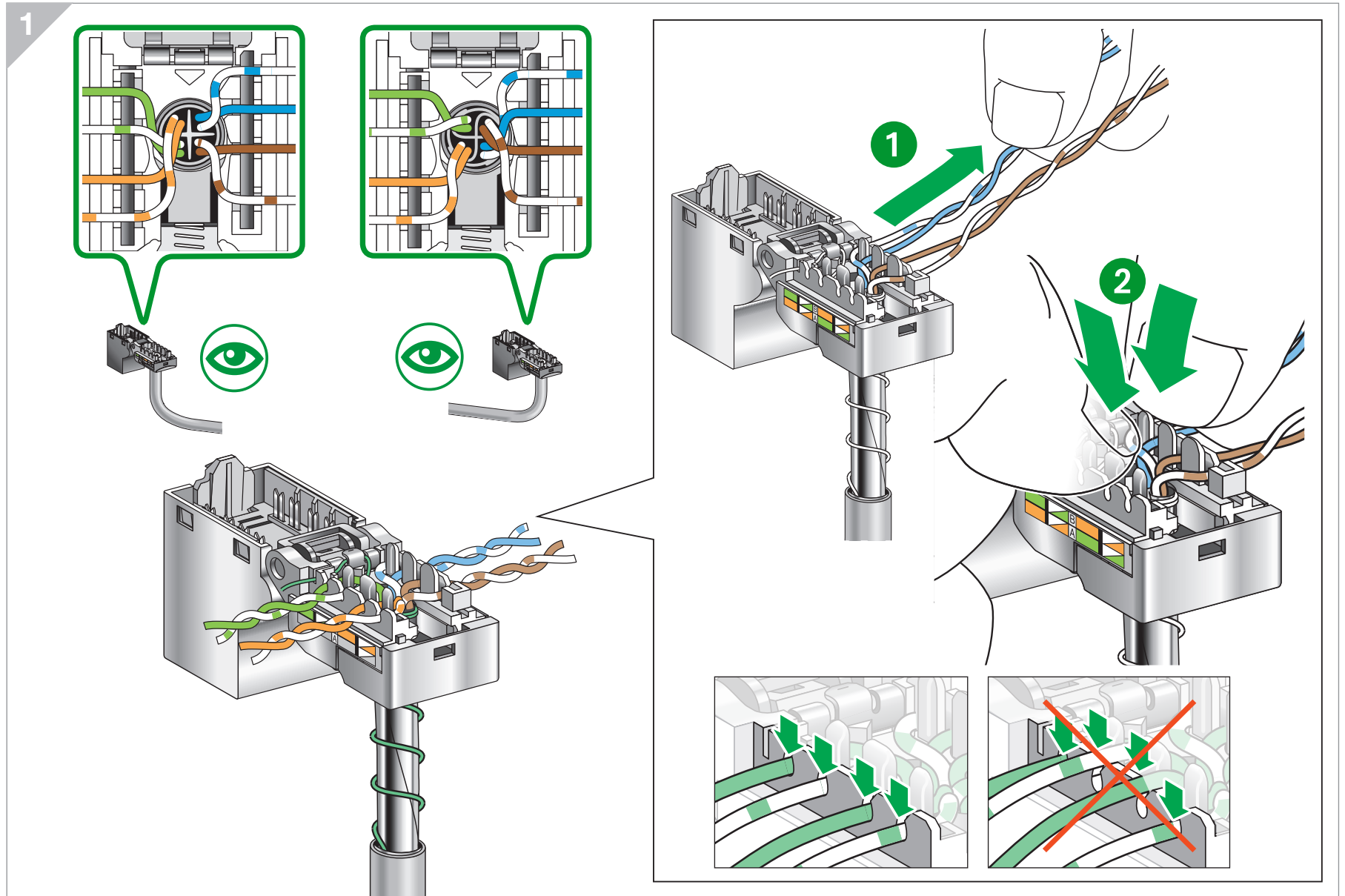
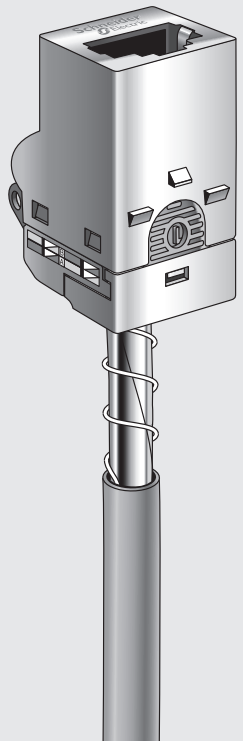
How to prepare a CLMX cable with EIA-TIA 568B to reach high performance

EIA-TIA 568B (100Ω)



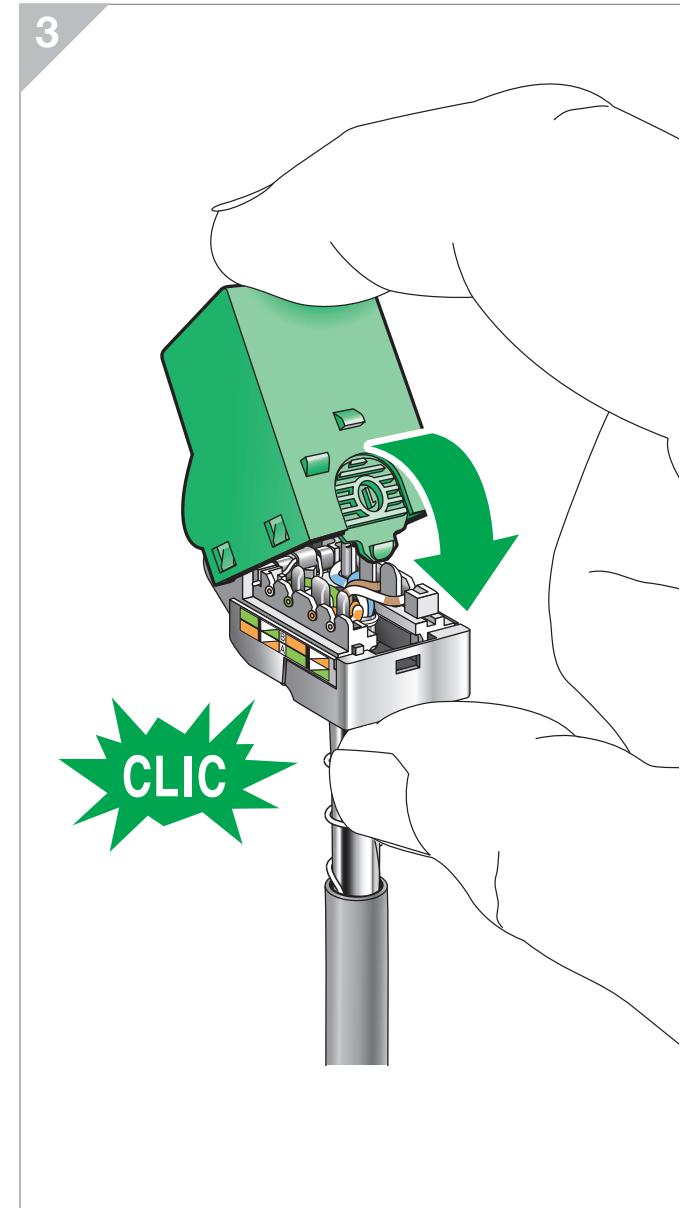
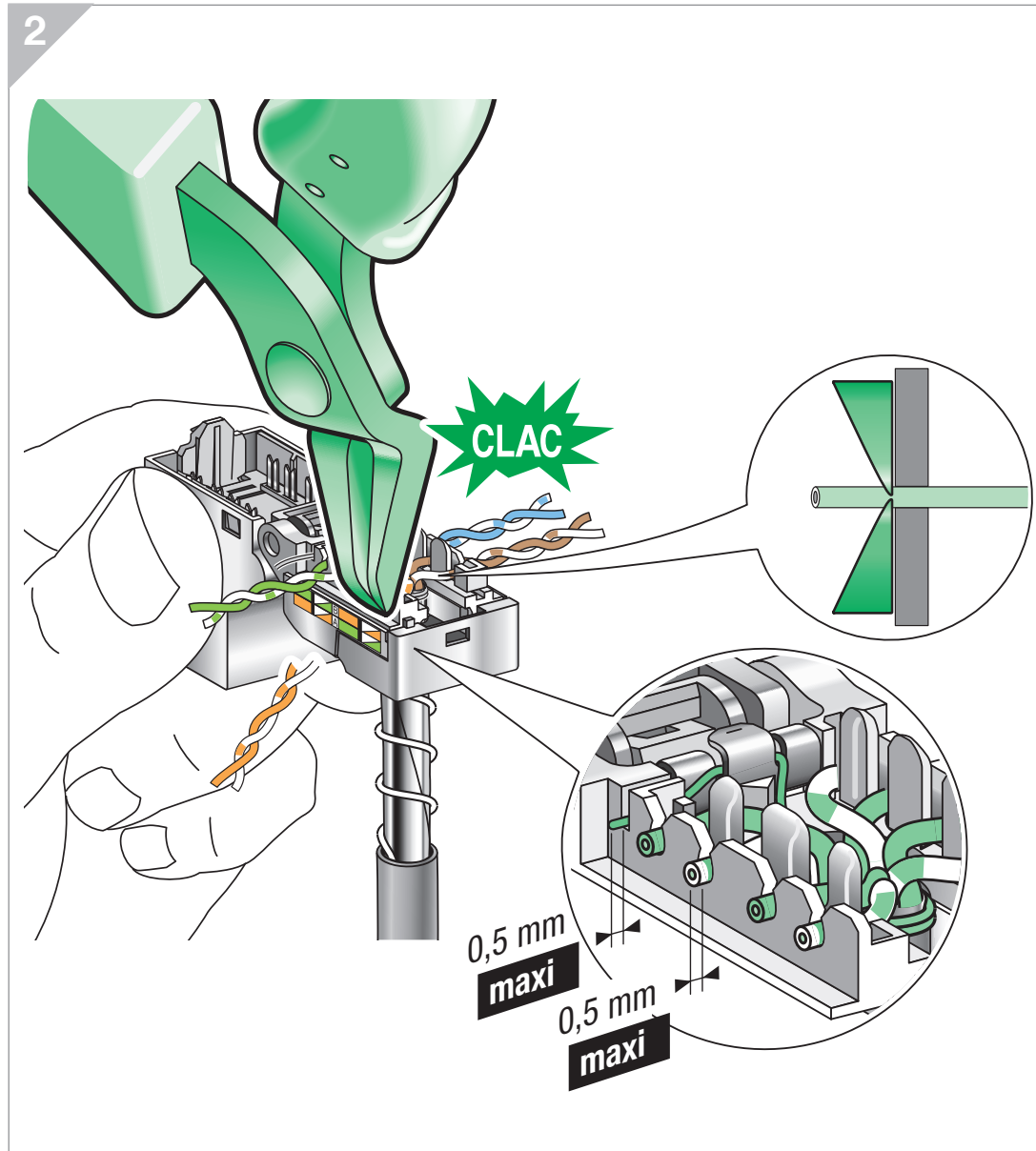
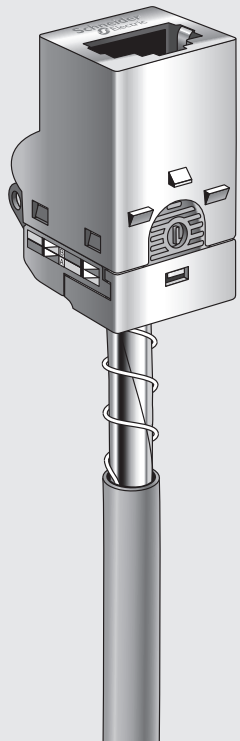
Connector connection

CLMX



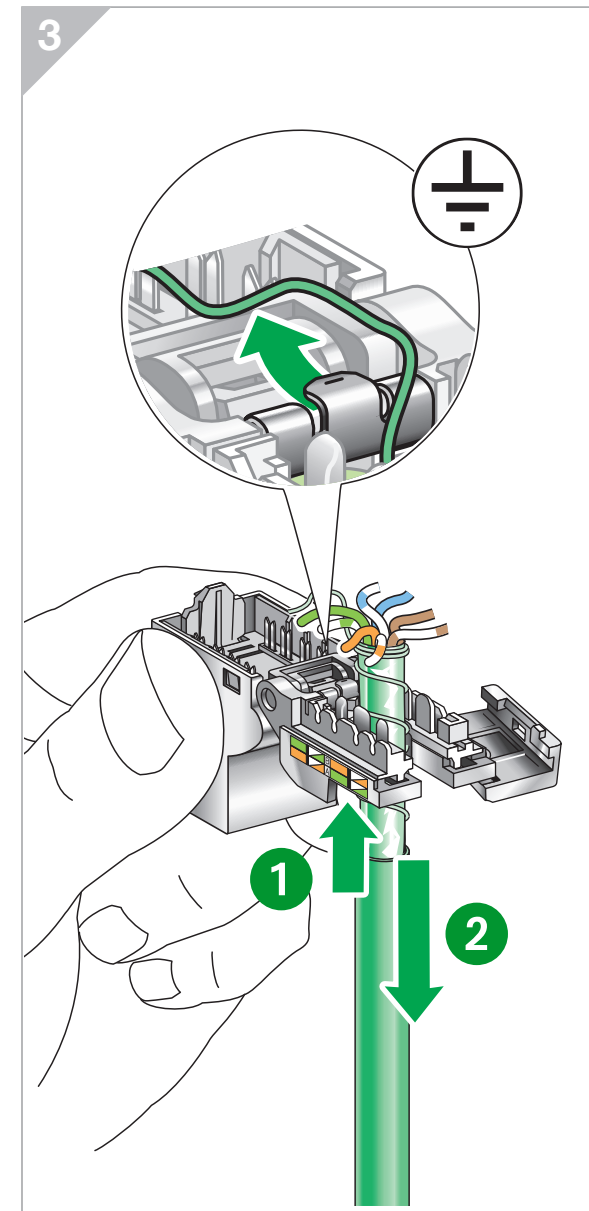
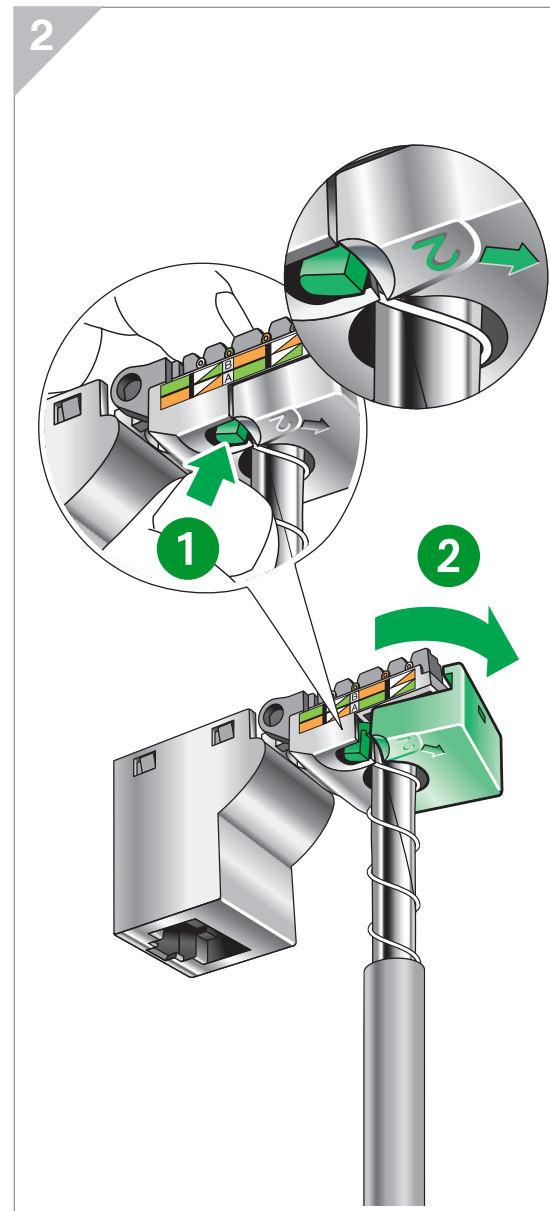
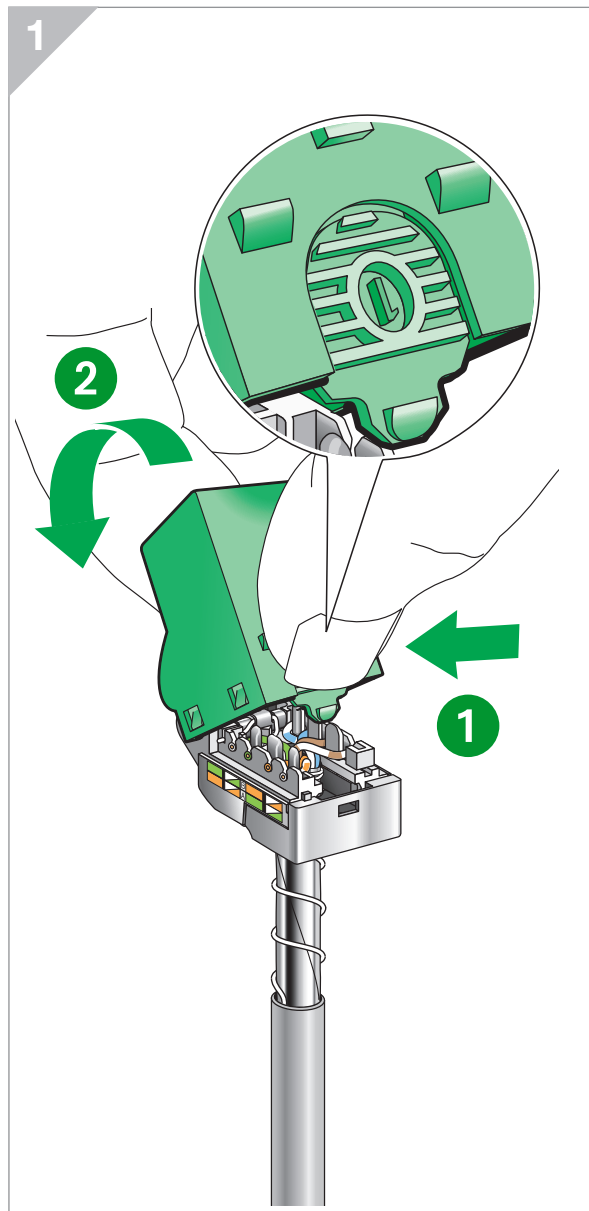
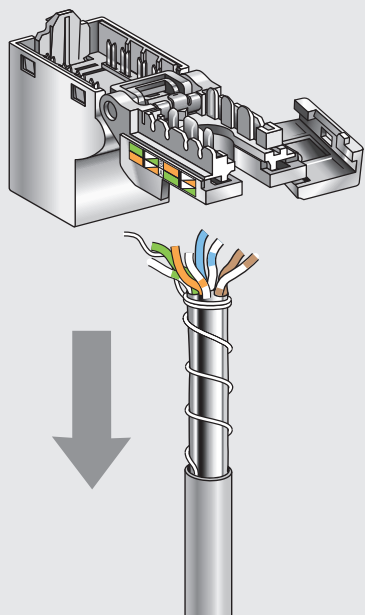
Connector connection

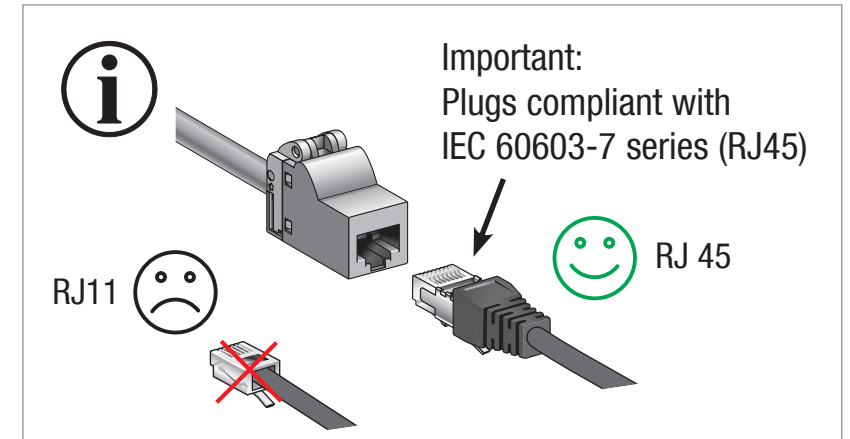
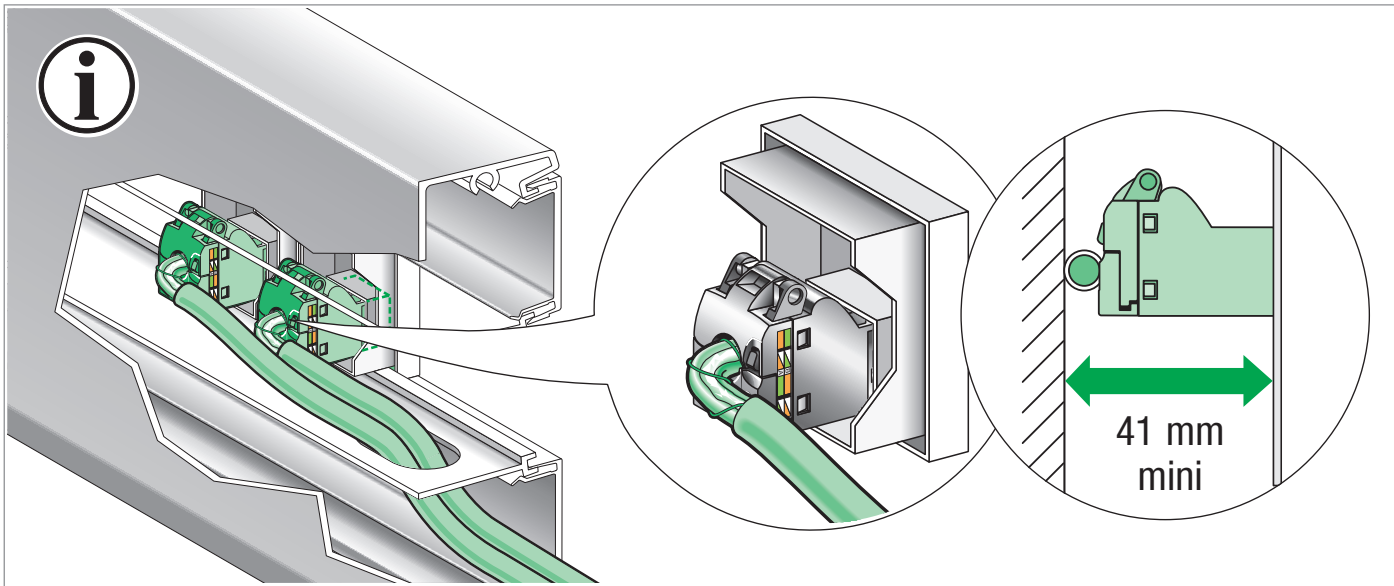
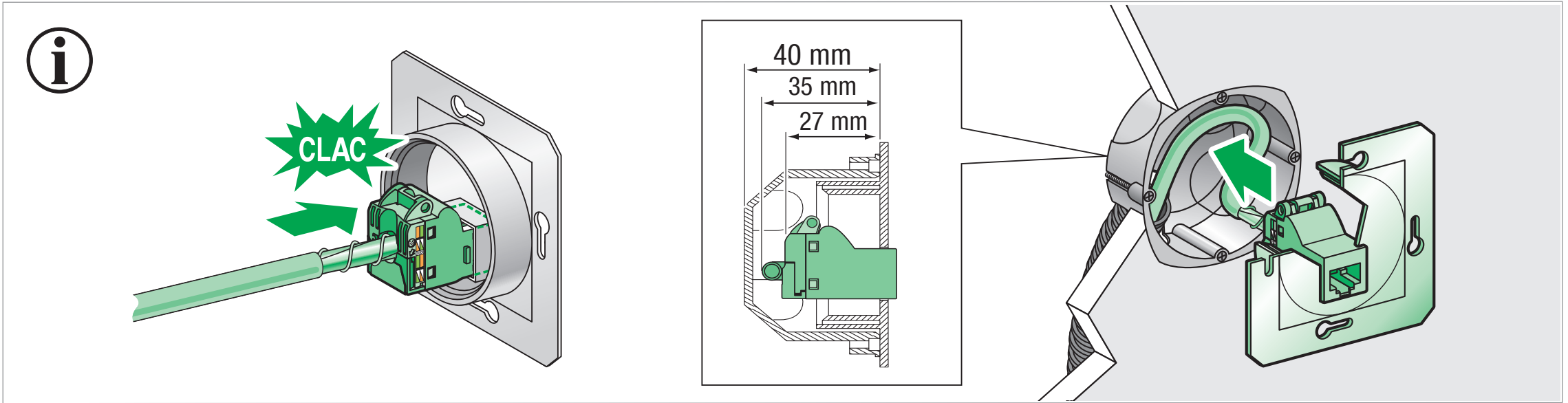
CLMX



Connector disconnection

CLMX

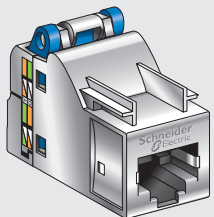




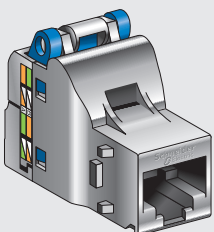
Composition

Shielded connector

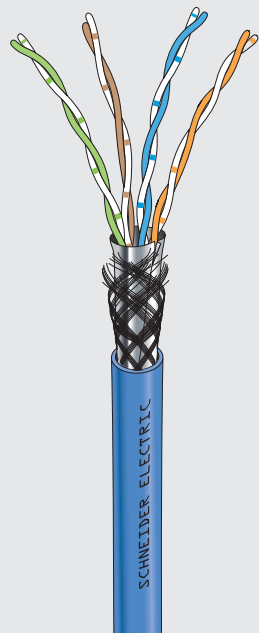
S-One



S-One DPM

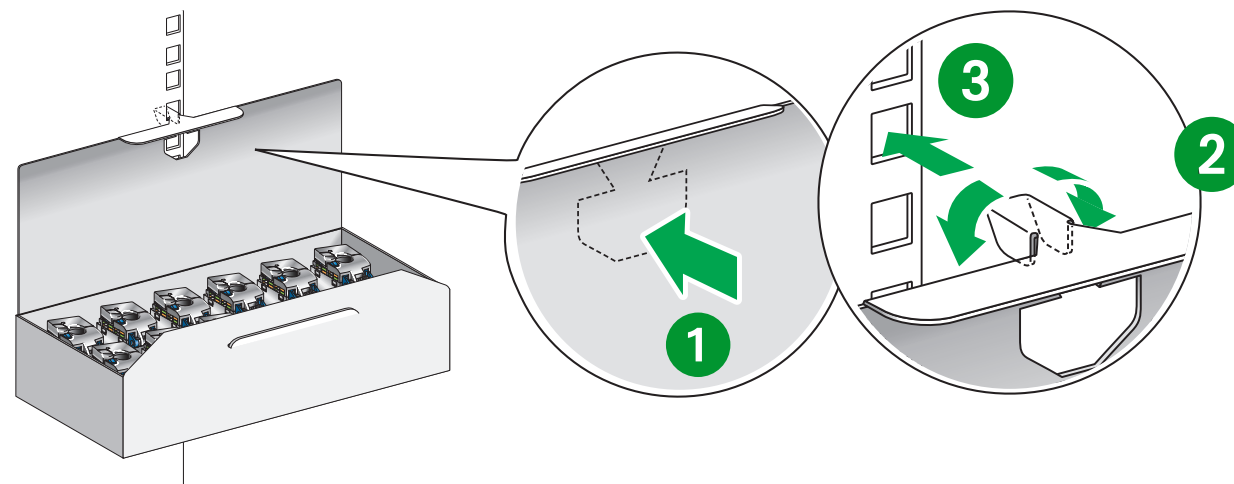
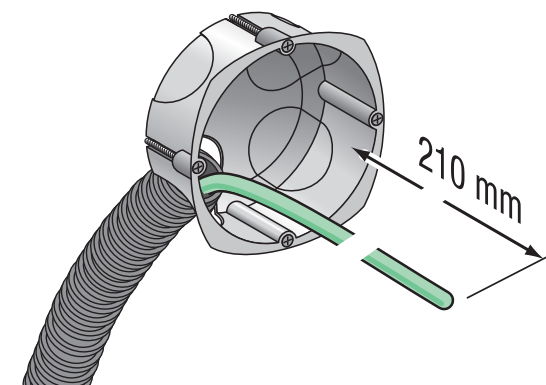


SF/UTP



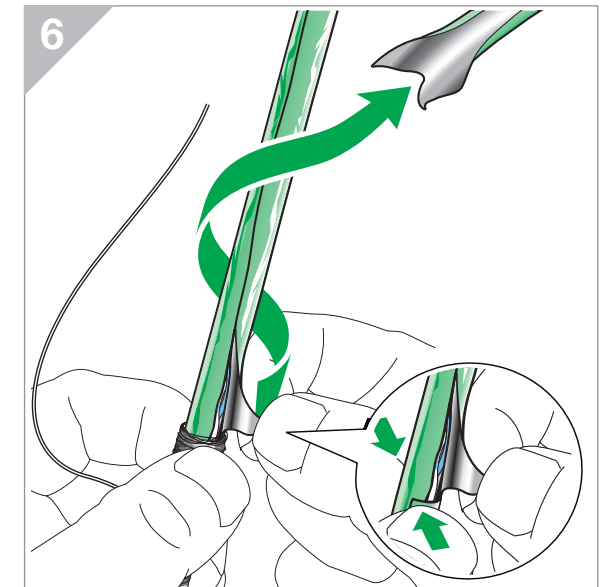
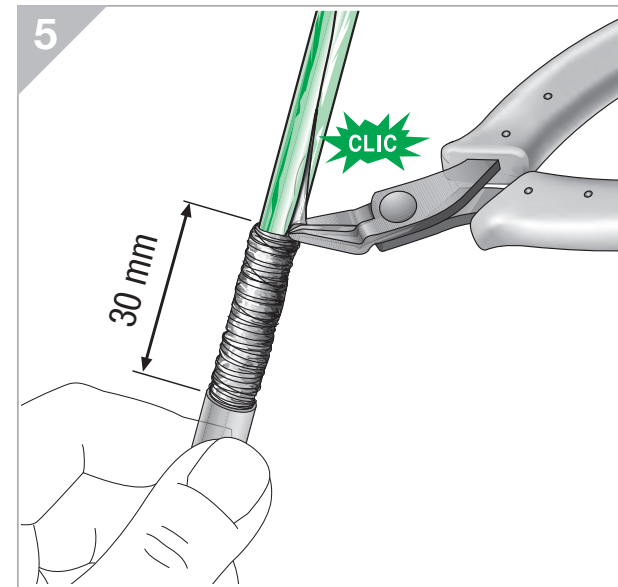
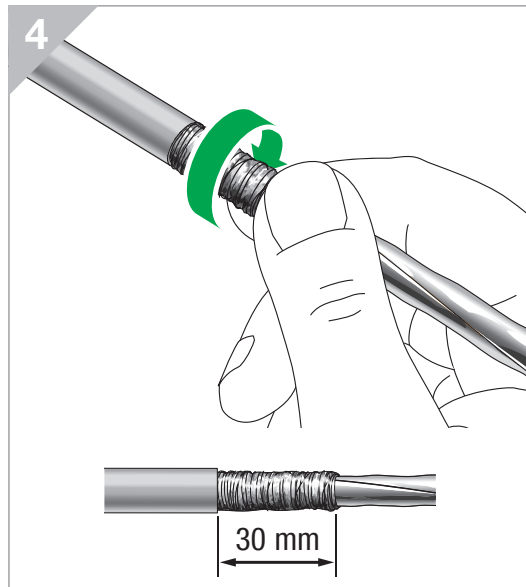
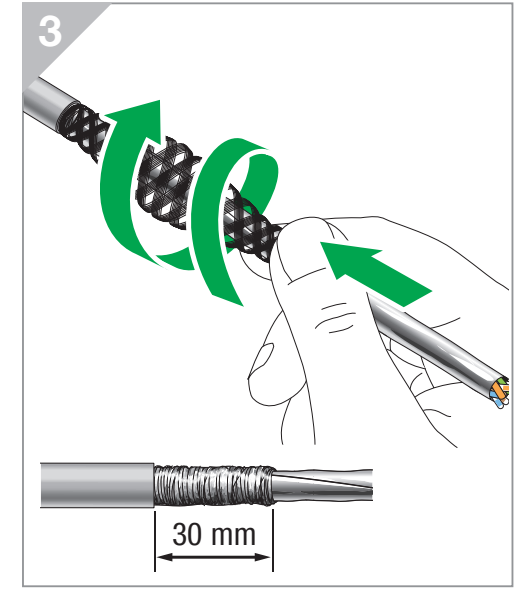
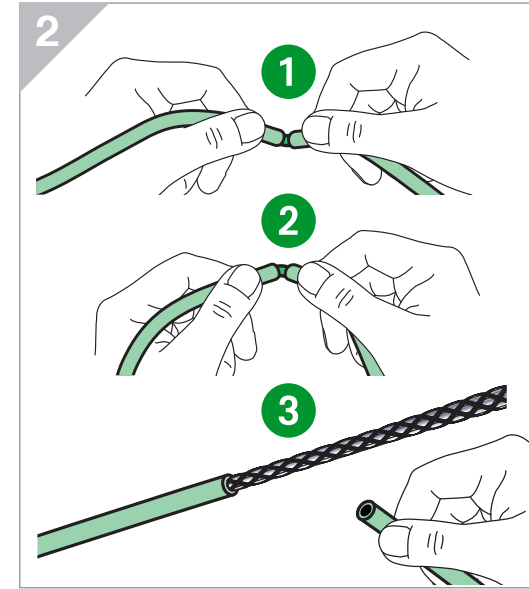
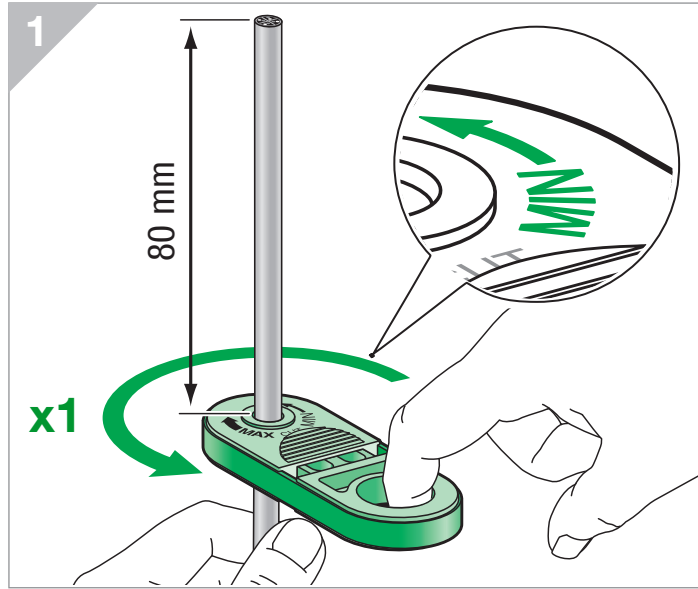
VDIR580020

x1



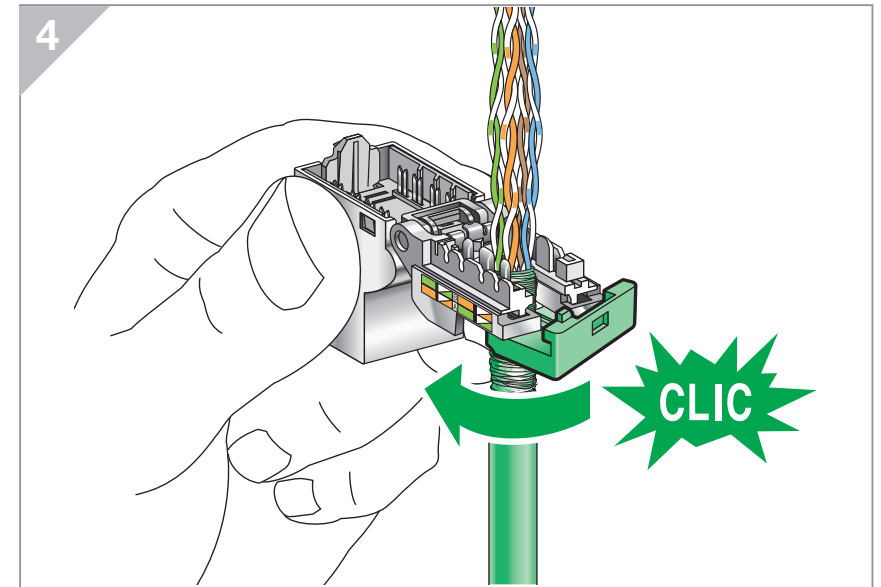
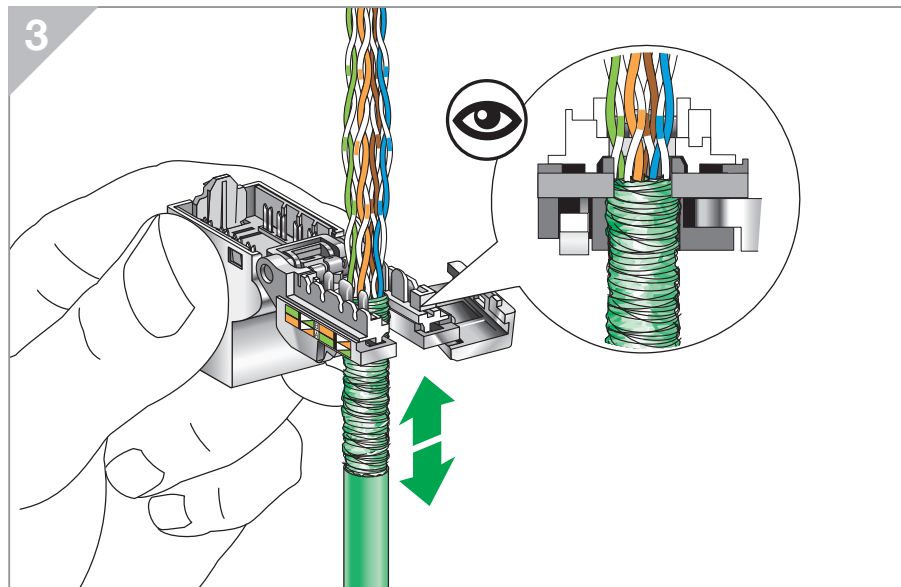
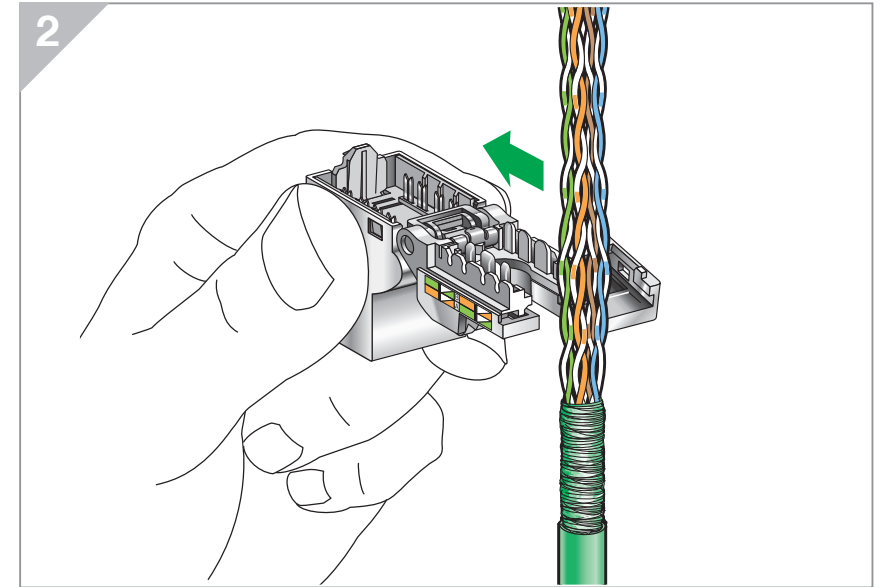
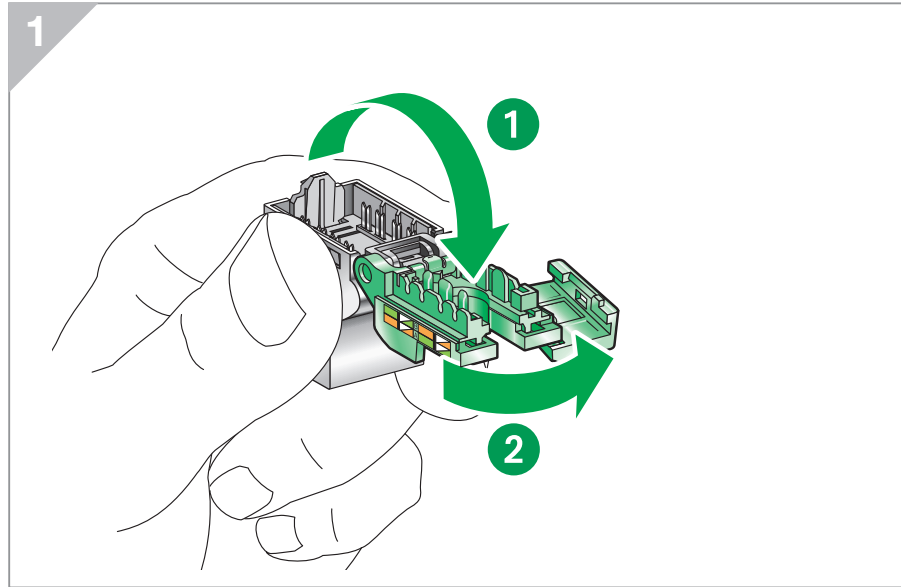
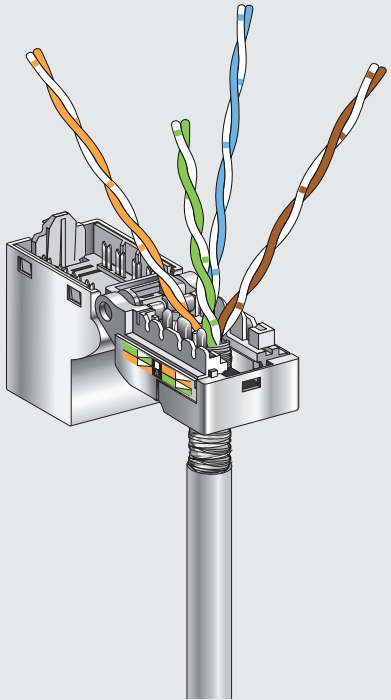
Cable preparation

SF/UTP



Connector wiring

SF/UTP

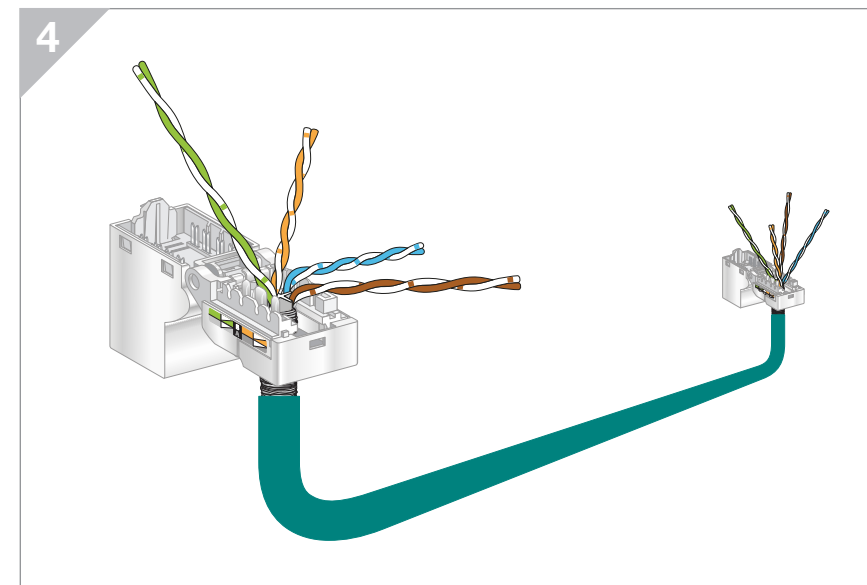
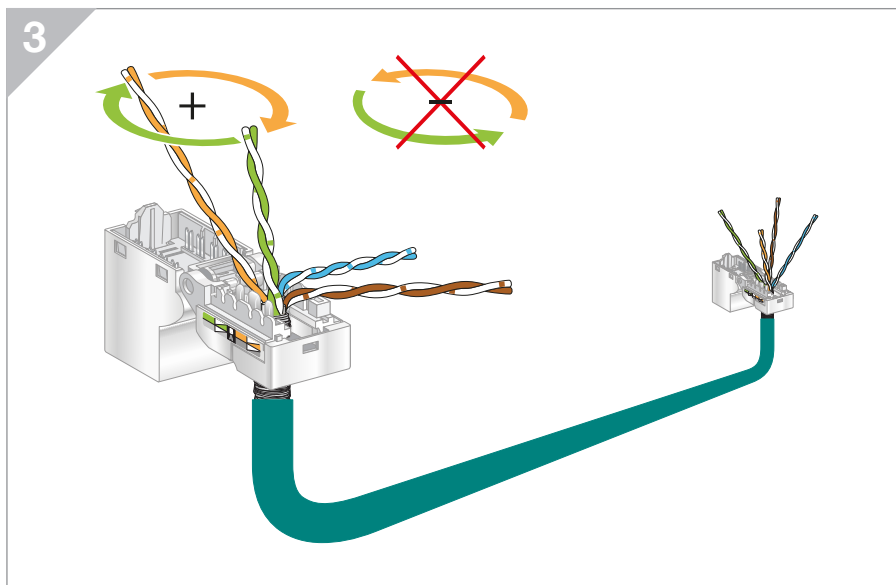
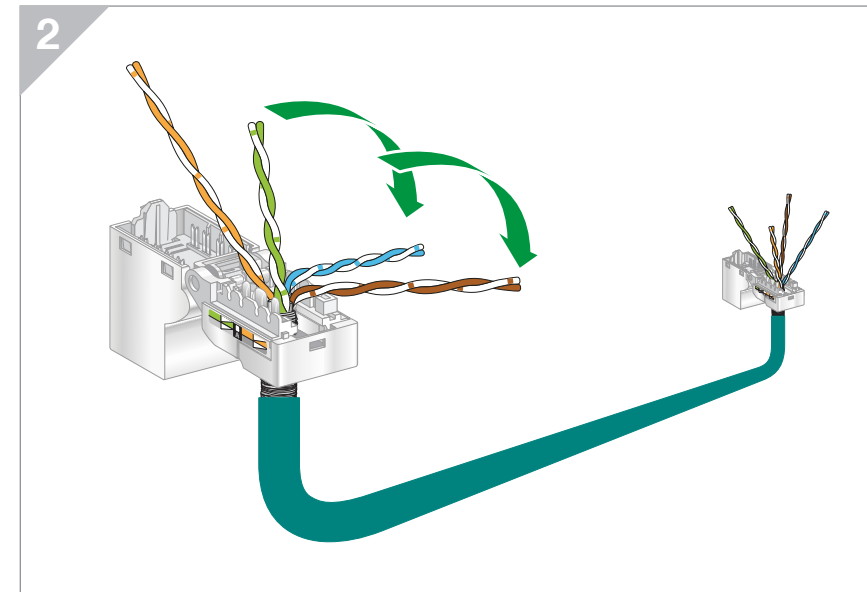
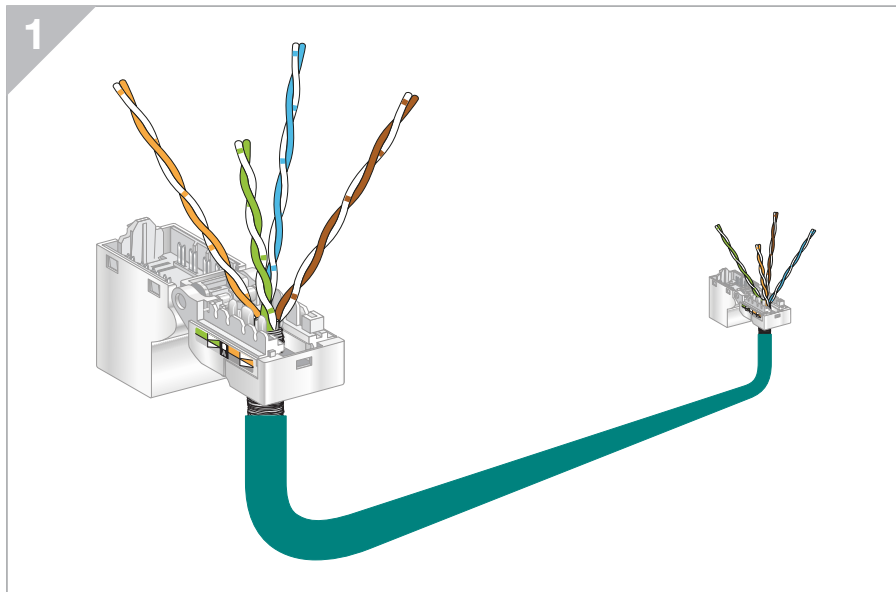
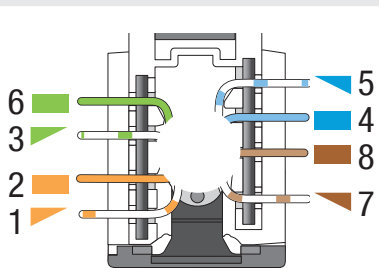


Pairs crossing

SF/UTP

How to prepare a SF/UTP cable with EIA-TIA 568B to reach high performance

EIA-TIA 568B (100Ω)

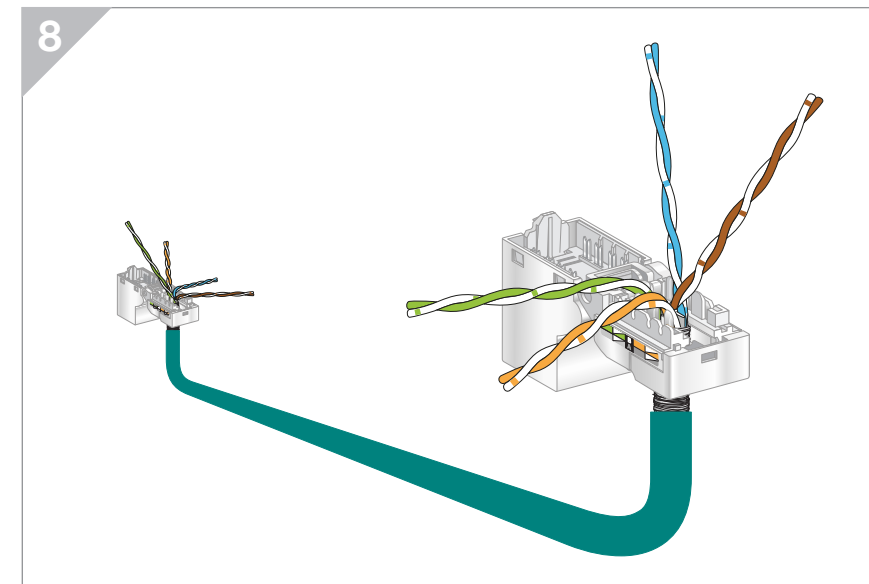
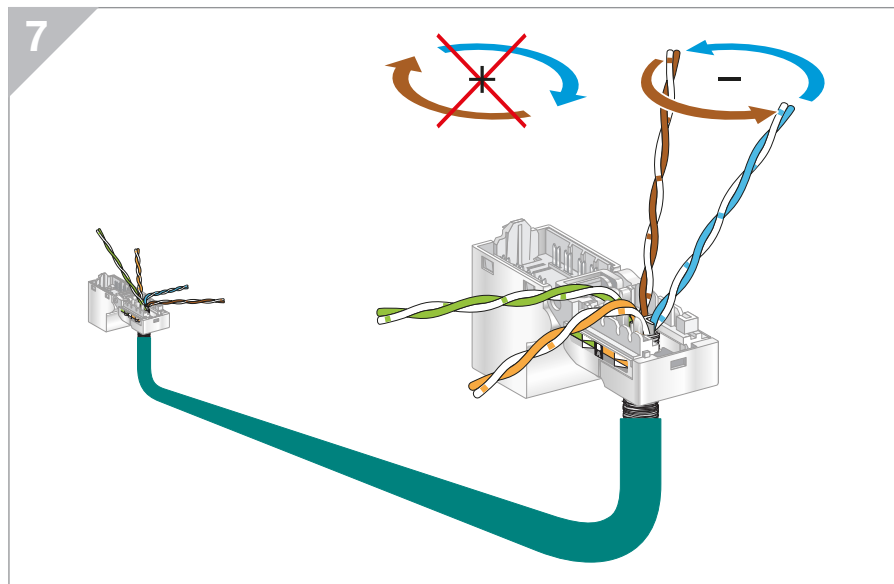
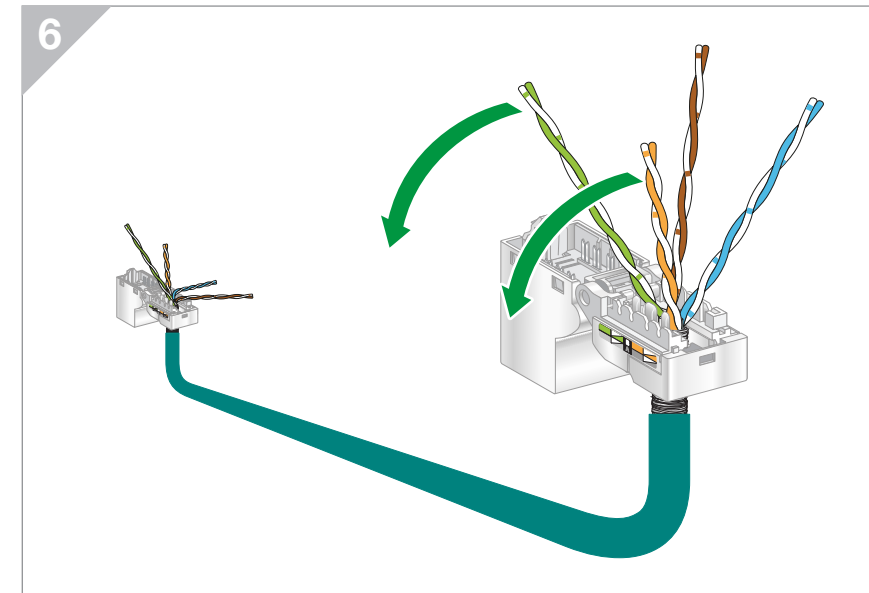
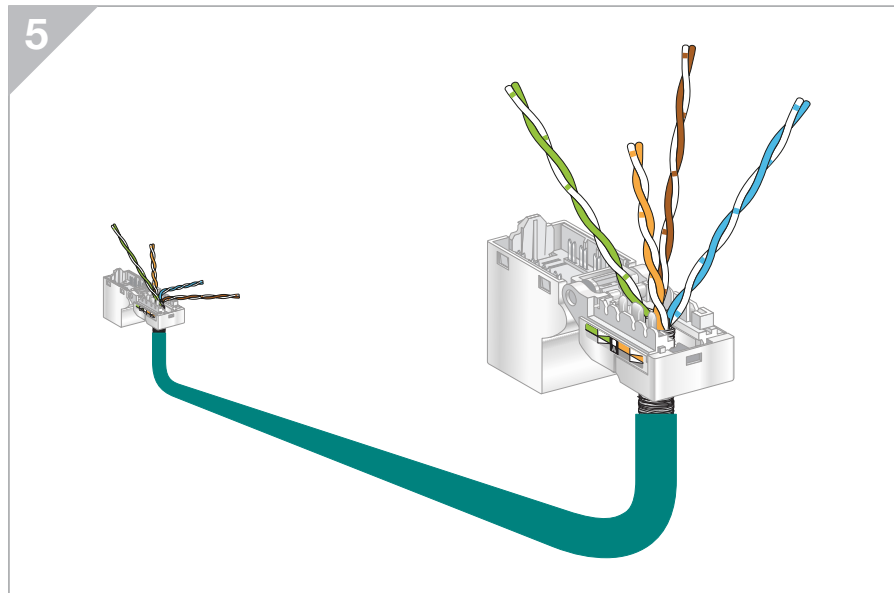
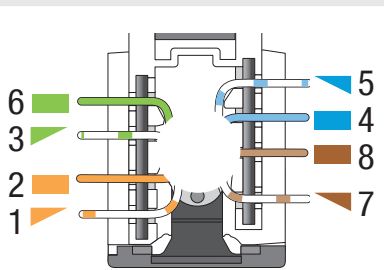


Pairs crossing

SF/UTP

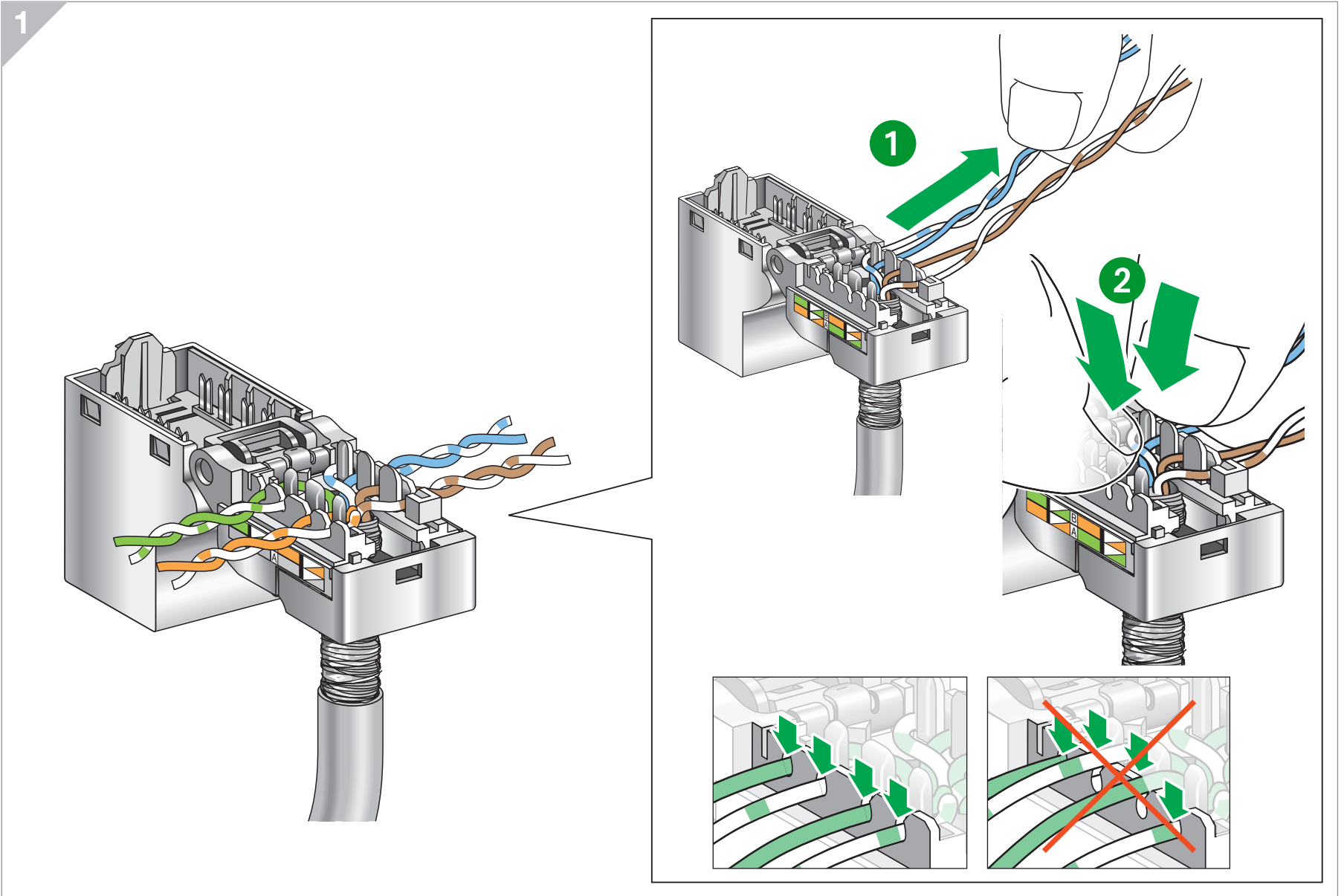
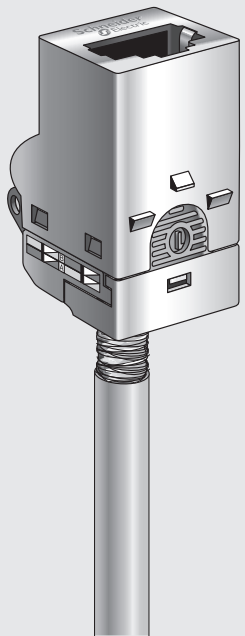
How to prepare a SF/UTP cable with EIA-TIA 568B to reach high performance

EIA-TIA 568B (100Ω)



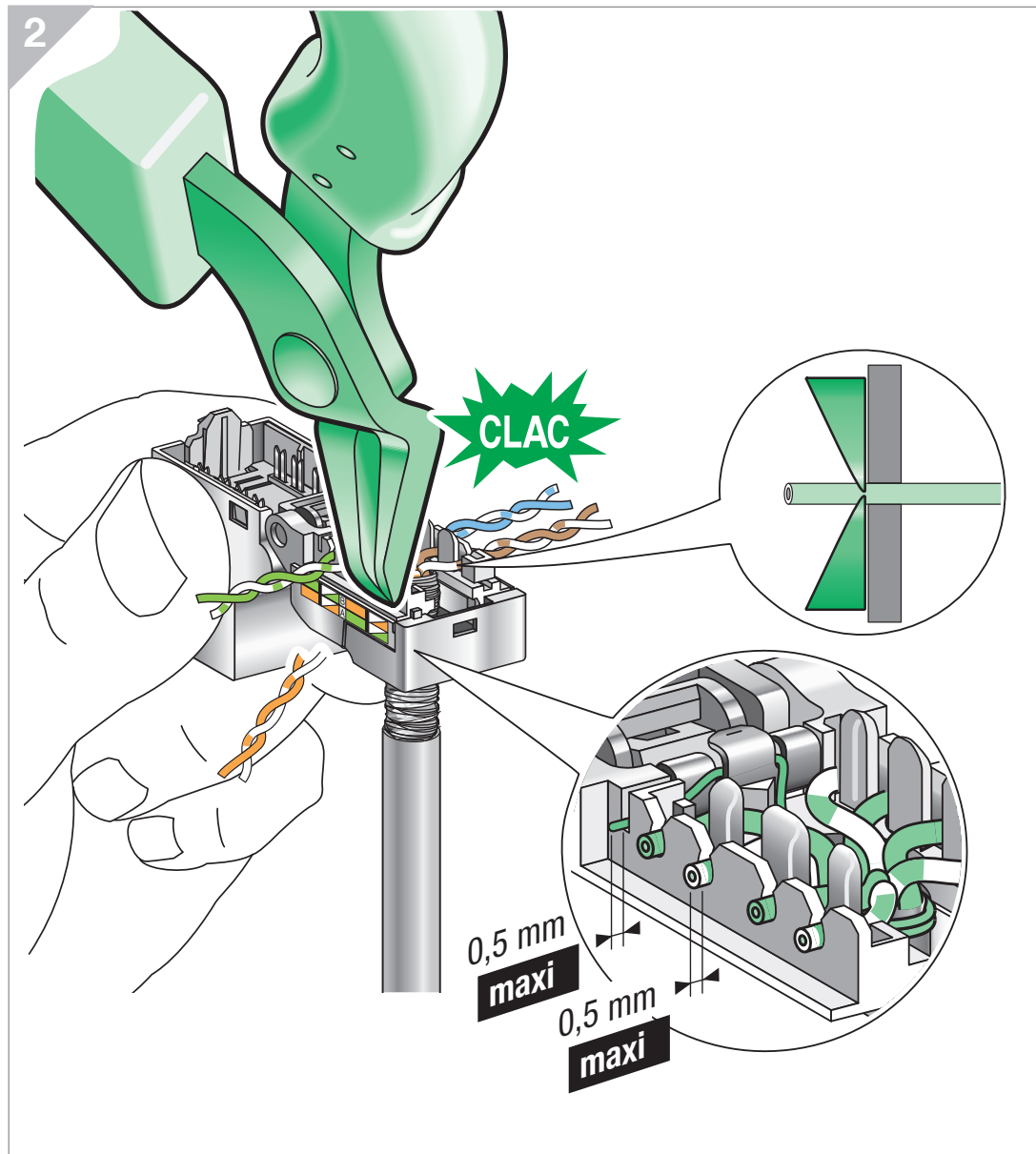
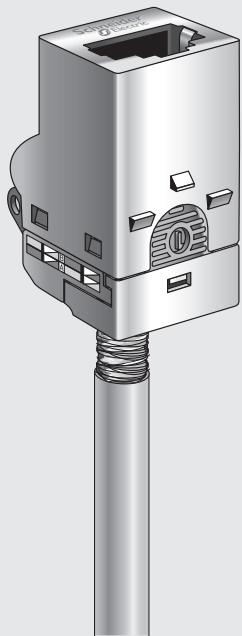
Connector connection

SF/UTP



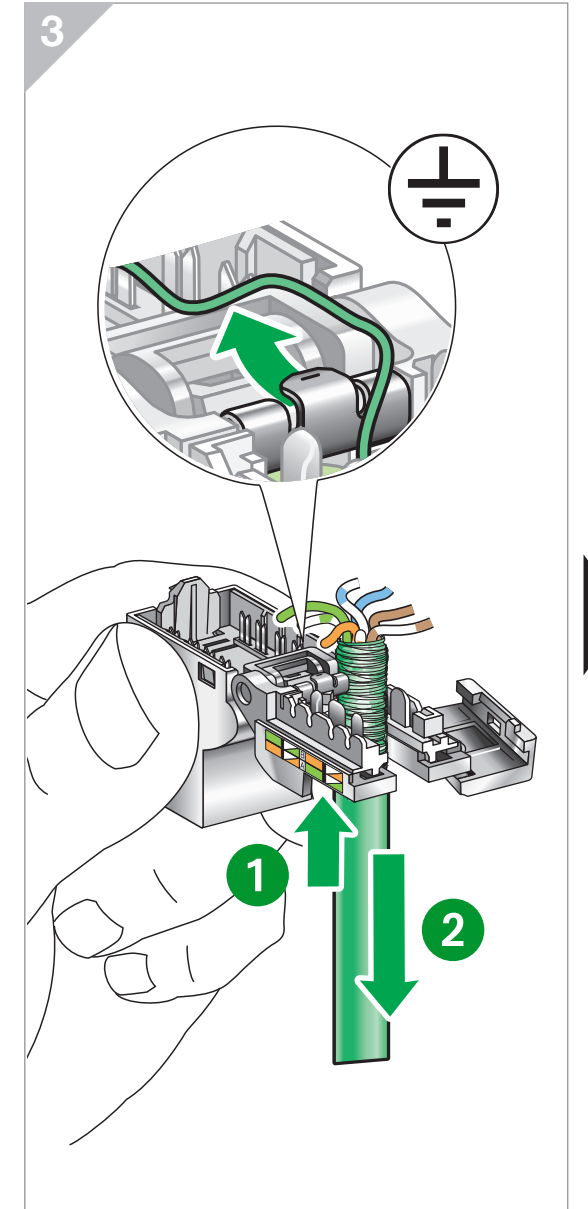
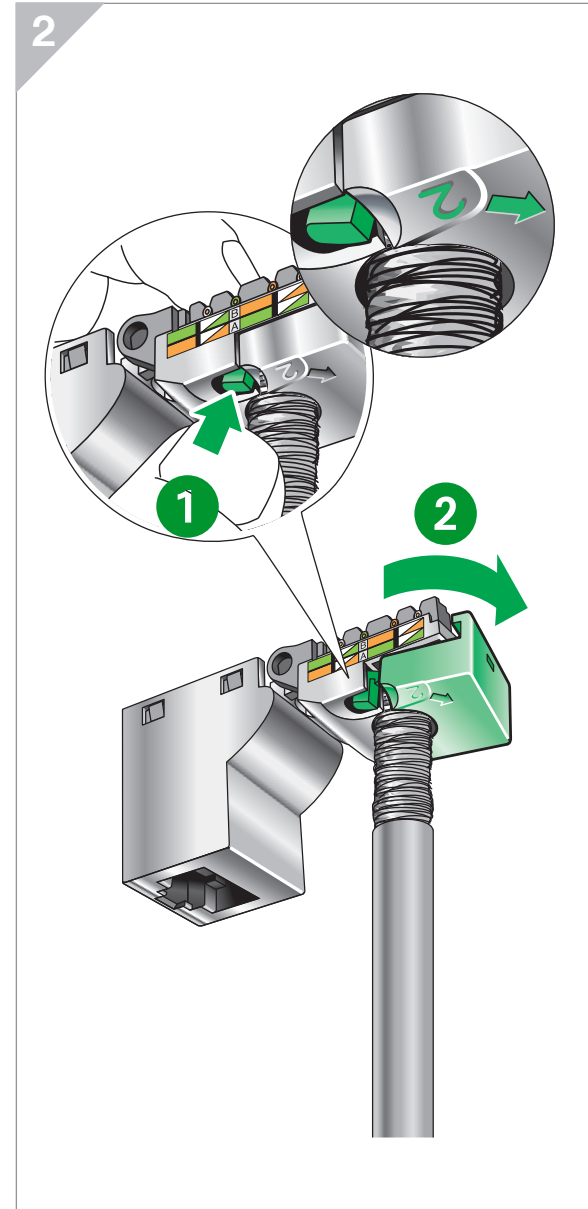
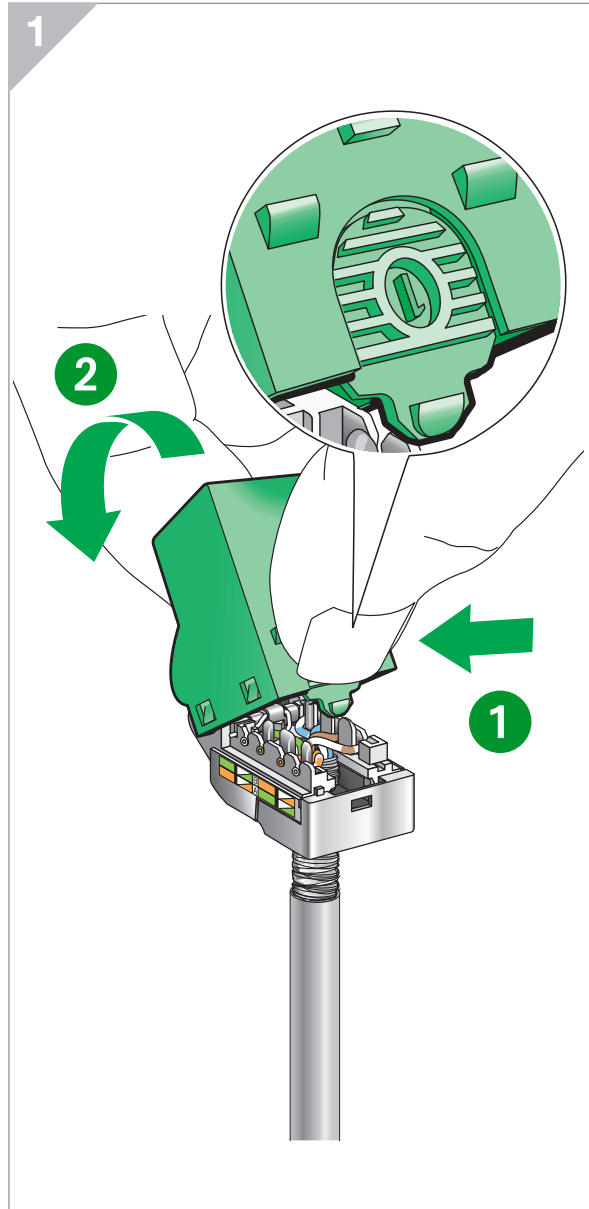
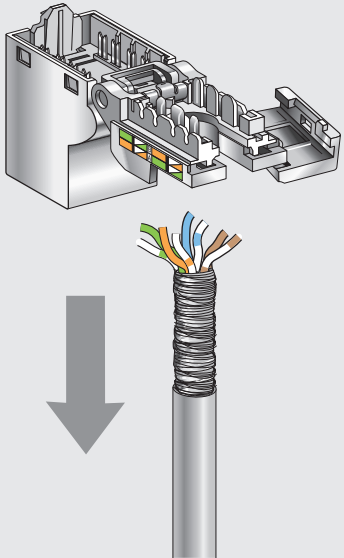
Connector connection

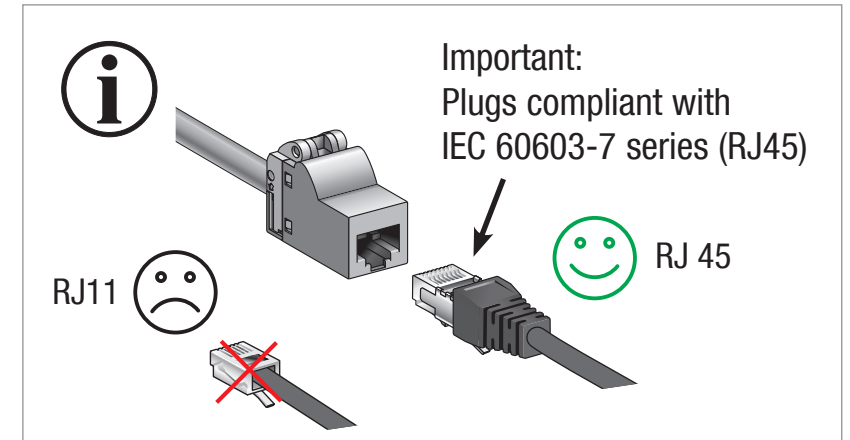
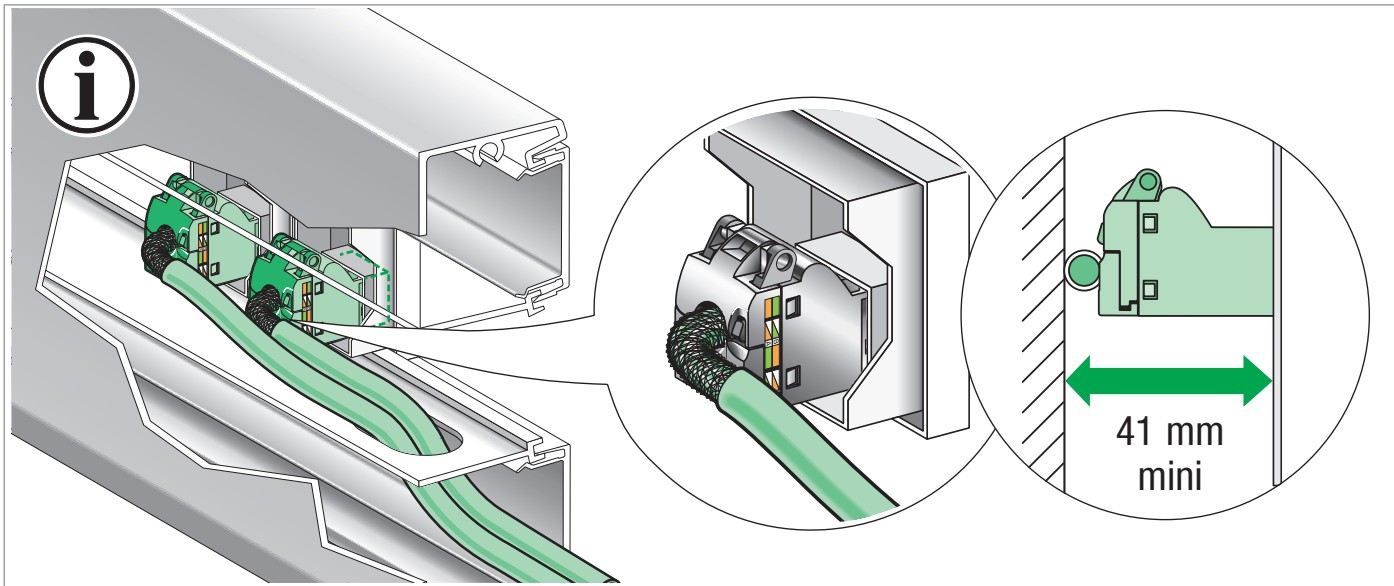
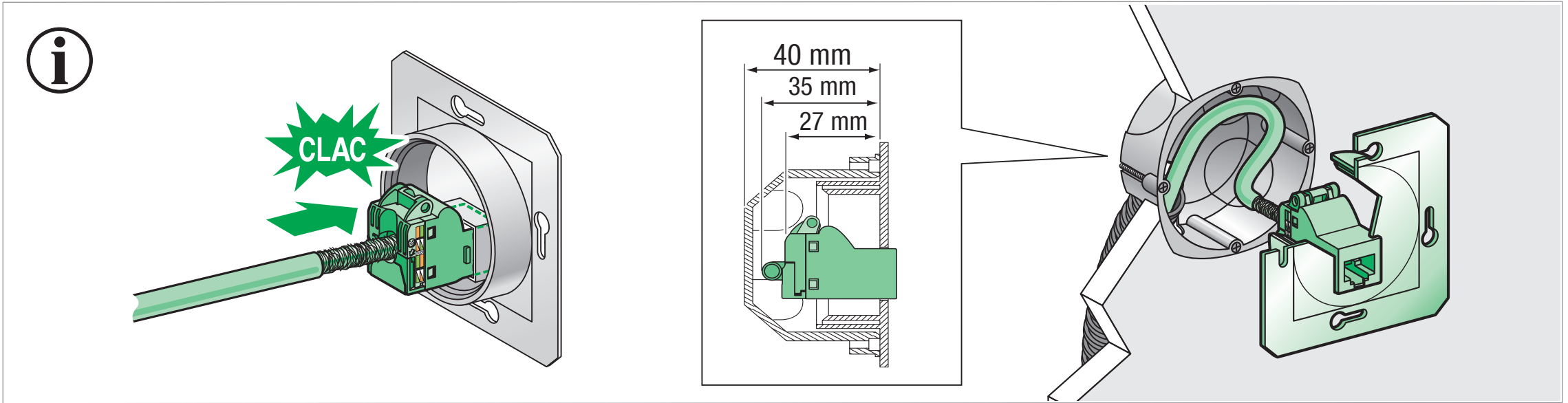
SF/UTP



Connector disconnection

SF/UTP

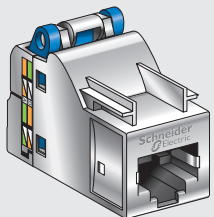




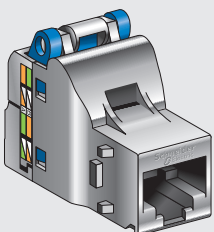
Composition

Shielded connector

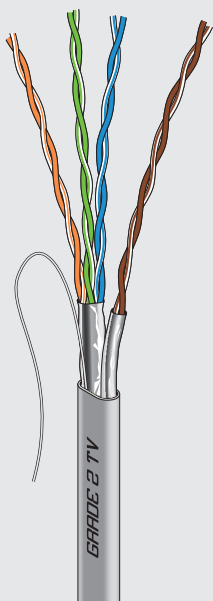
S-One



S-One DPM

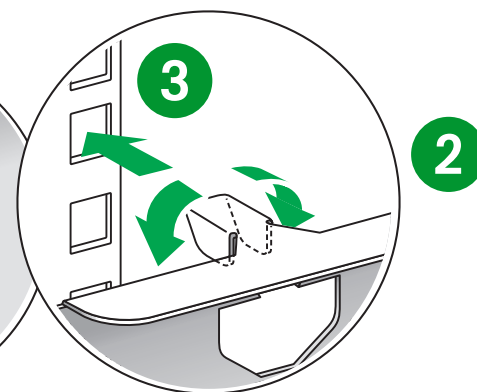
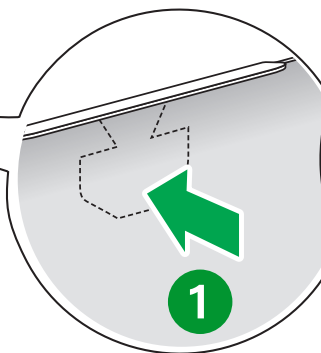
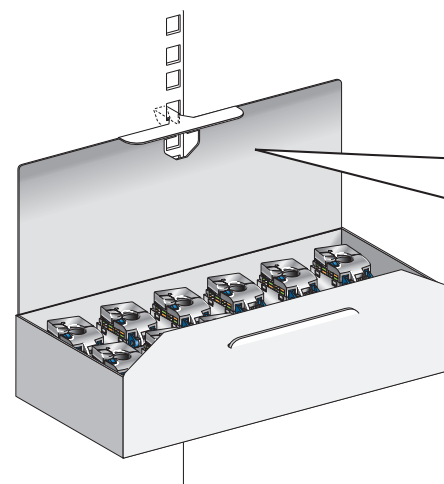
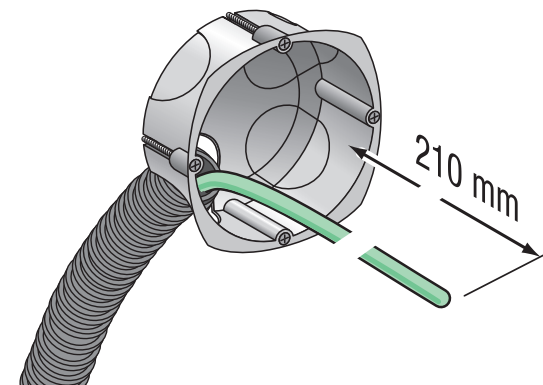


Grade 2 TV



VDIR580020

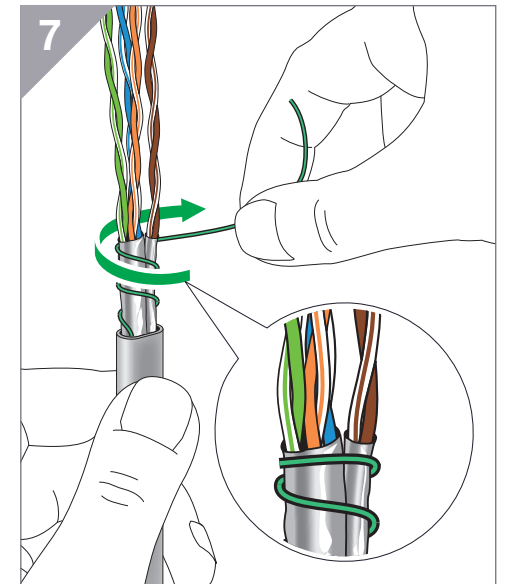
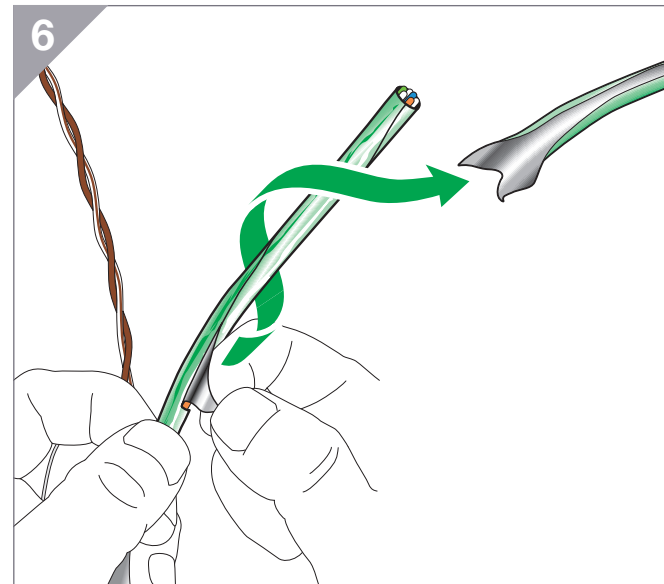
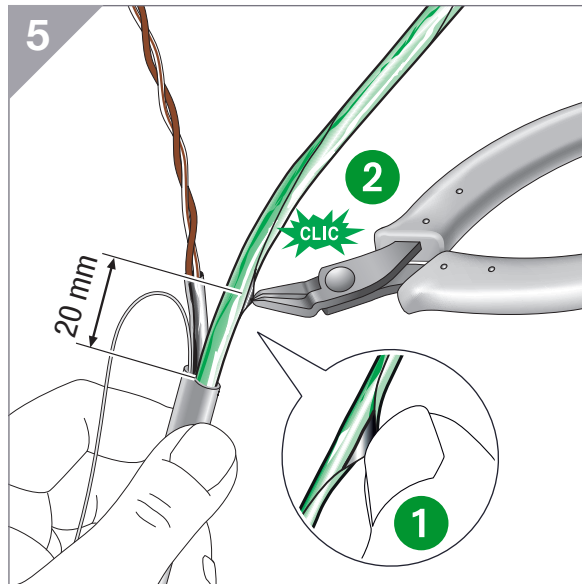
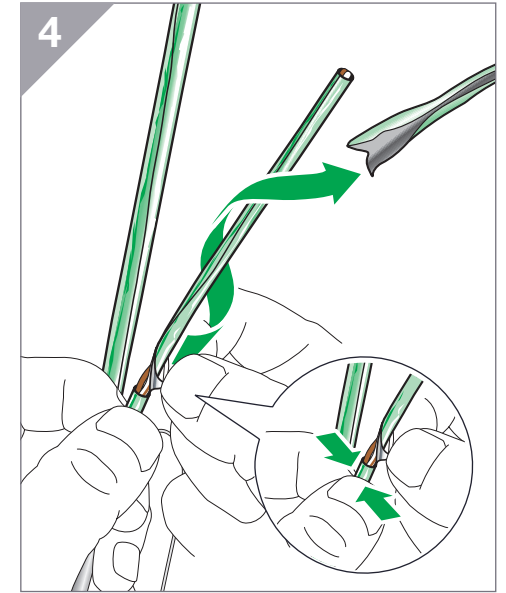
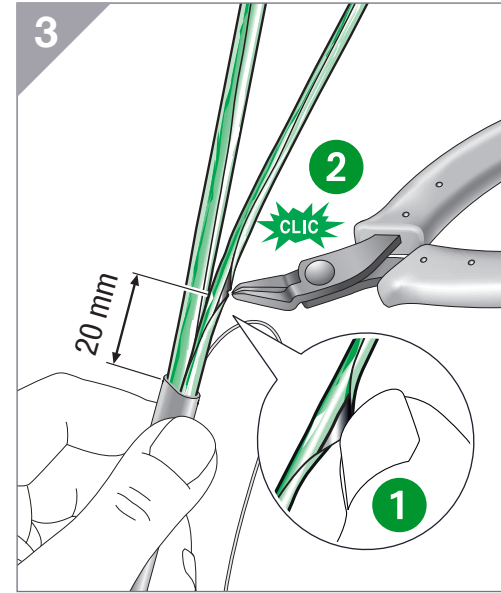
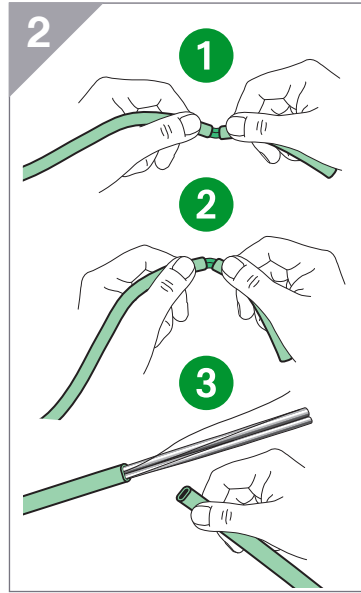
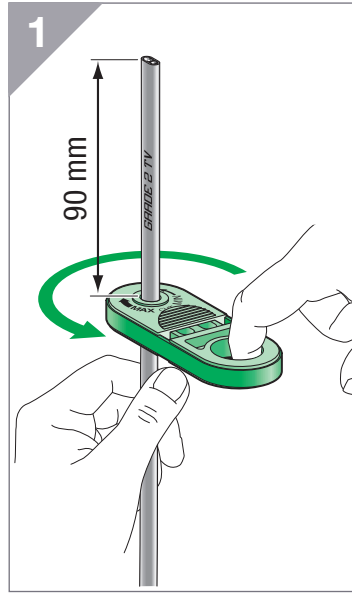
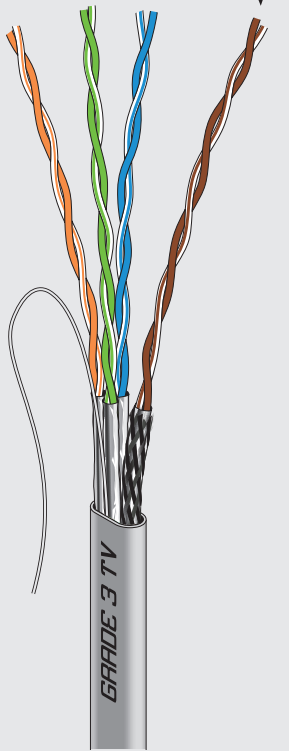
x1



Cable preparation

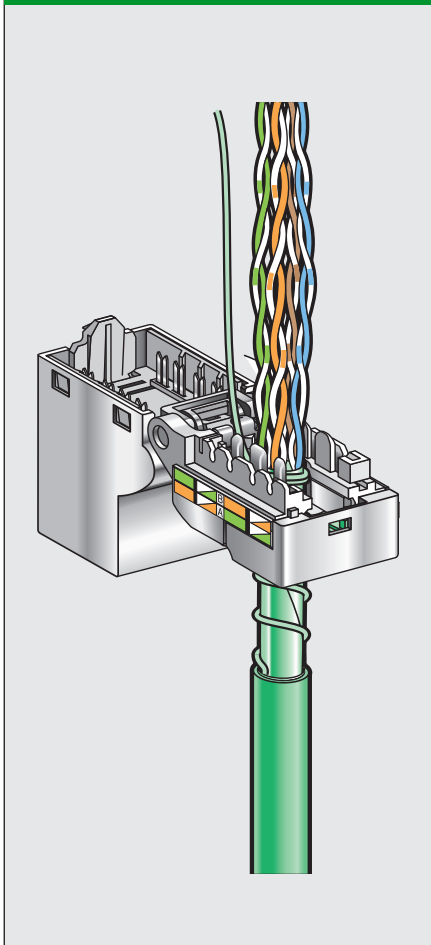
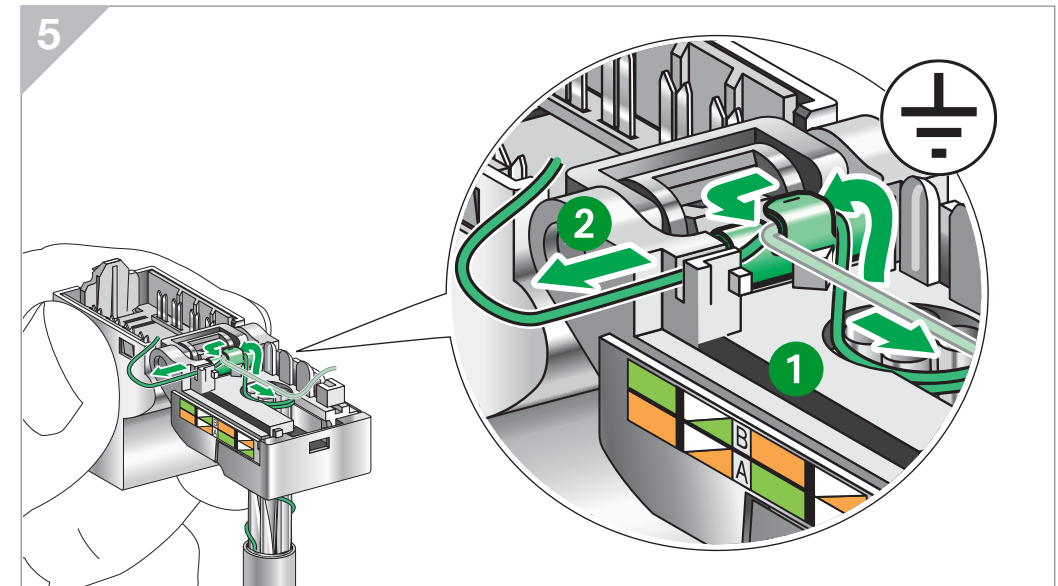
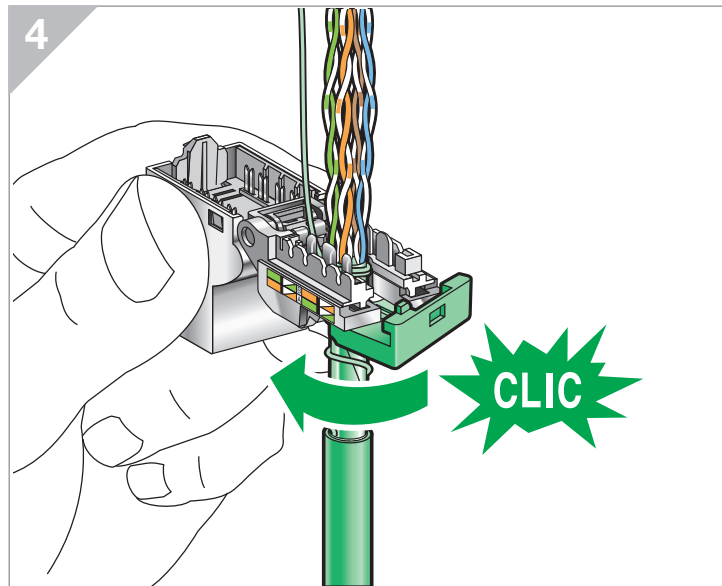
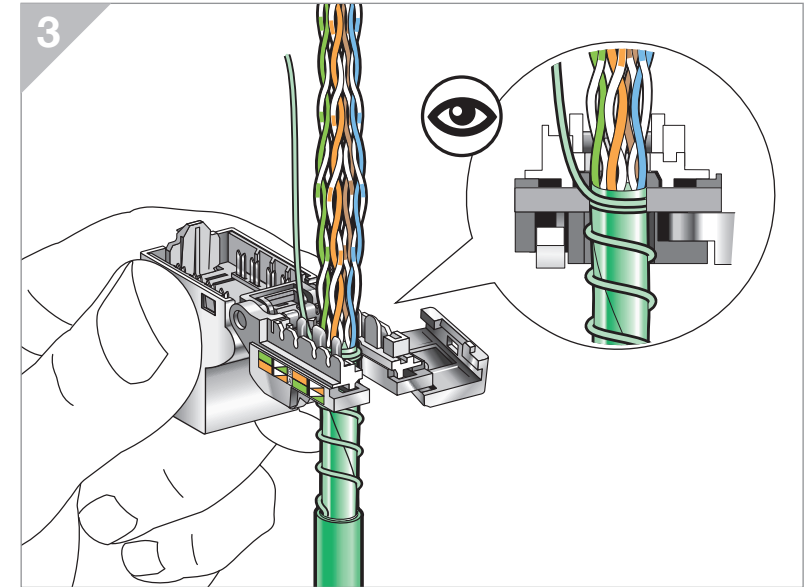
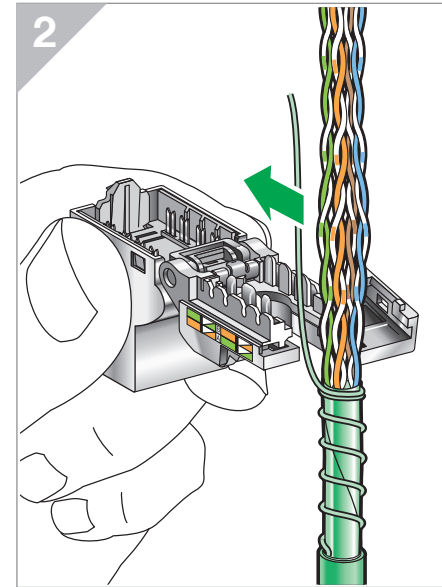
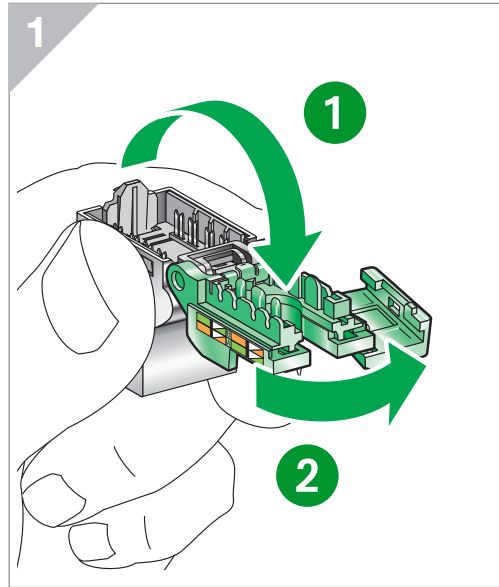
Grade 2 TV

Paire 7/8



Connector wiring

Grade 2 TV

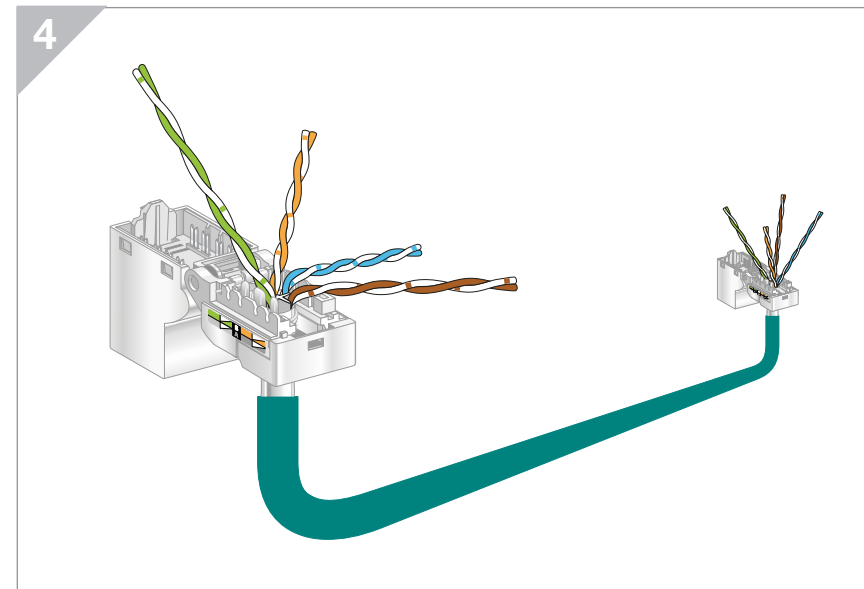
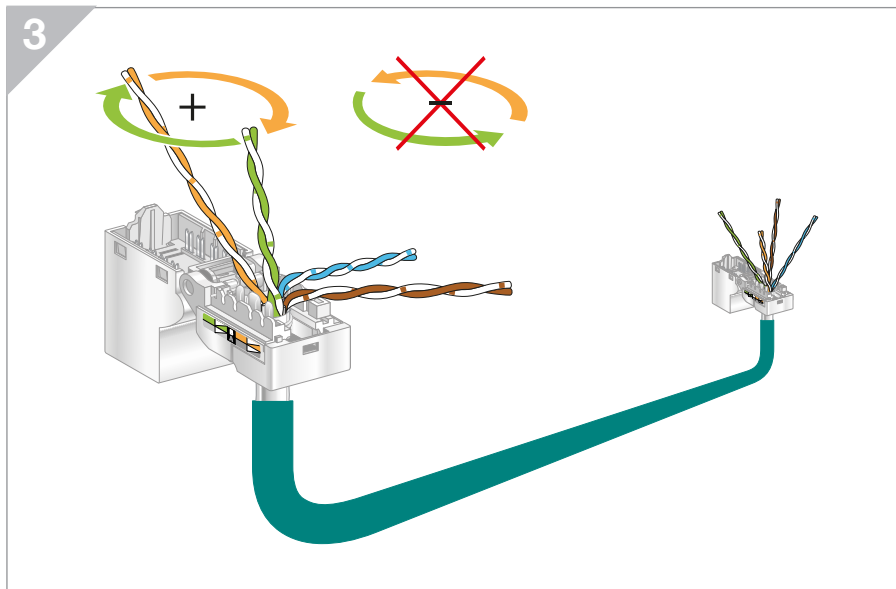
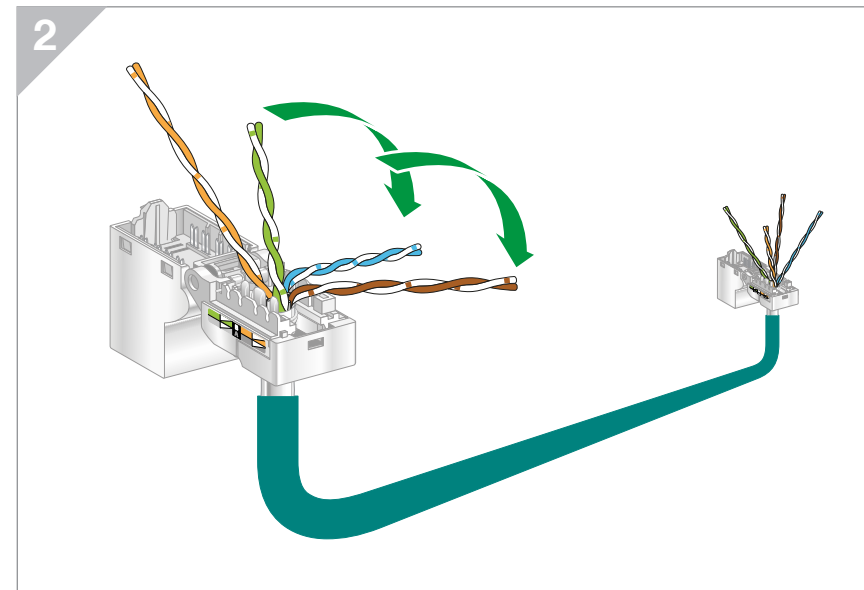
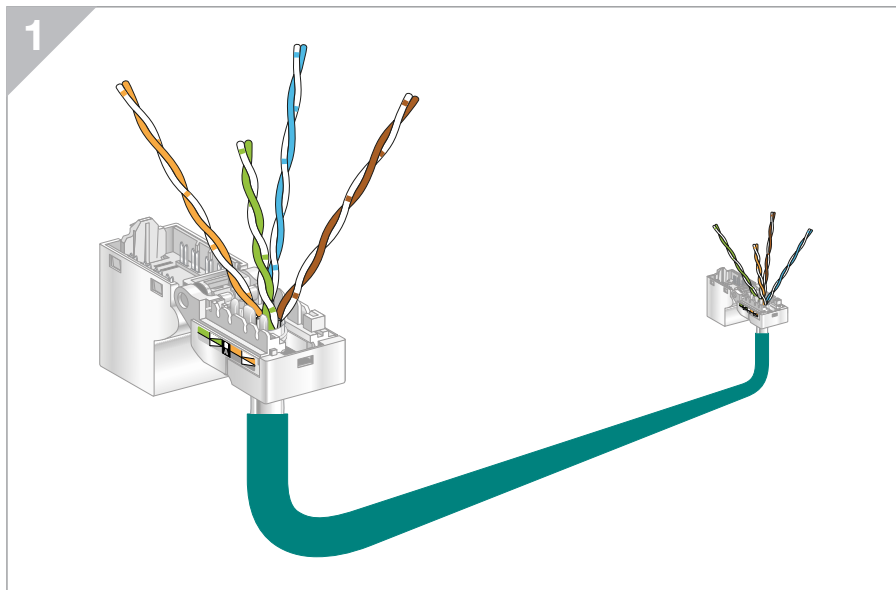
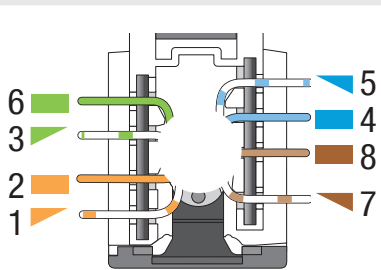


Pairs crossing

Grade 2 TV

How to prepare a Grade 2 TV cable with EIA-TIA 568B to reach high performance

EIA-TIA 568B (100Ω)

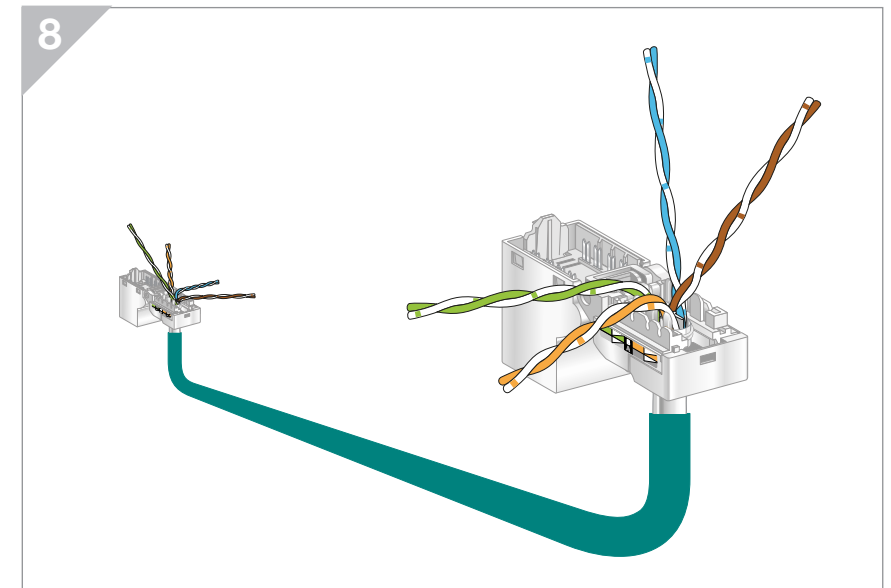
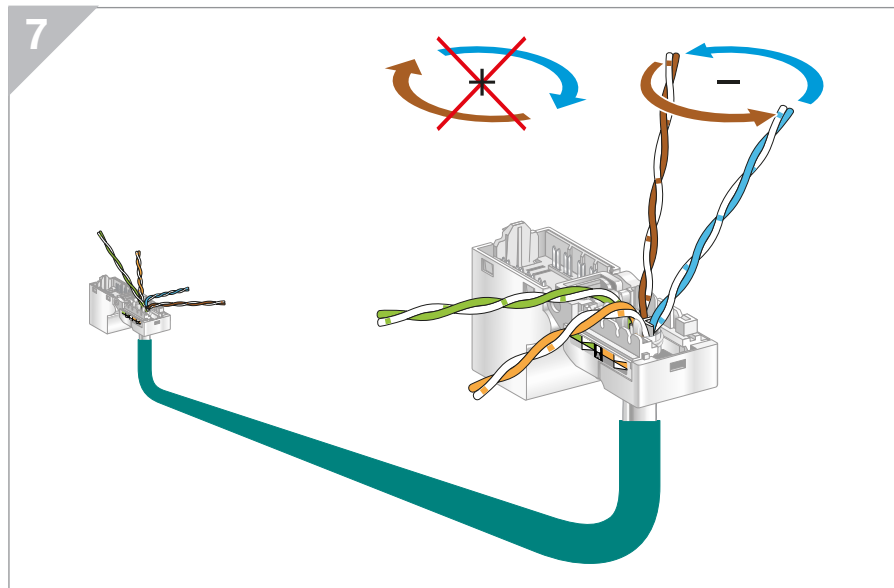
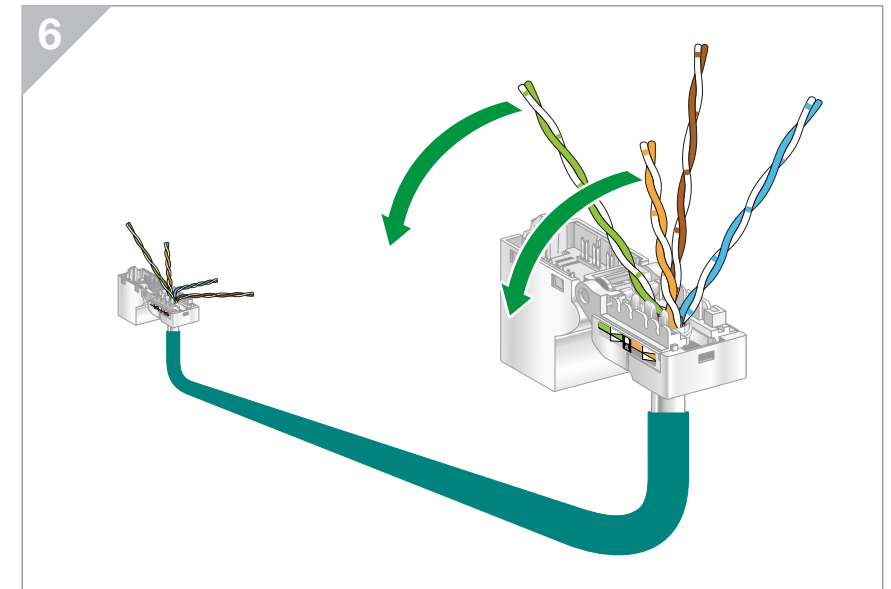
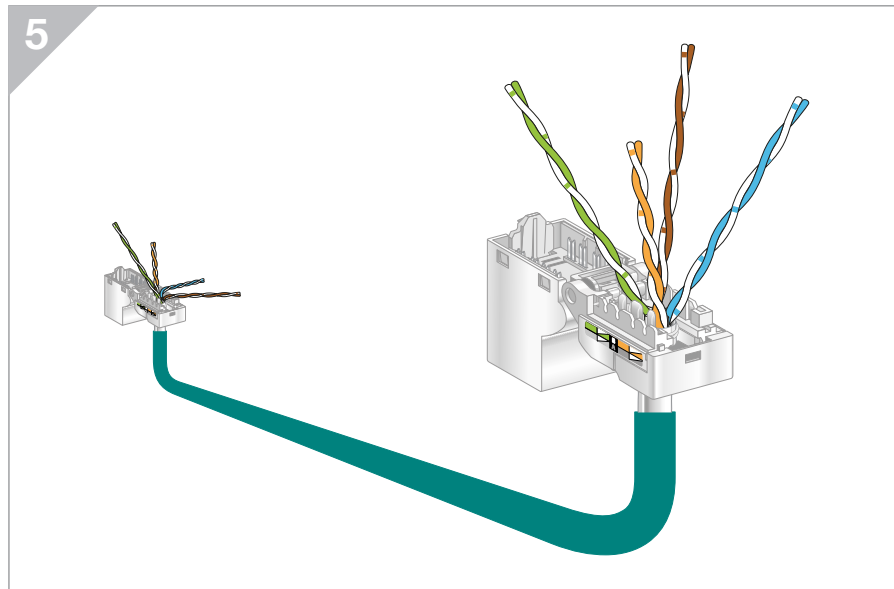
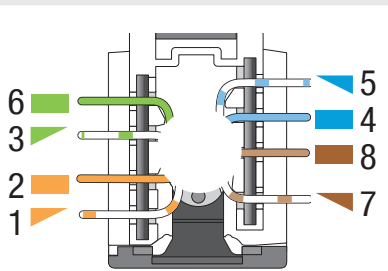


Pairs crossing

Grade 2 TV

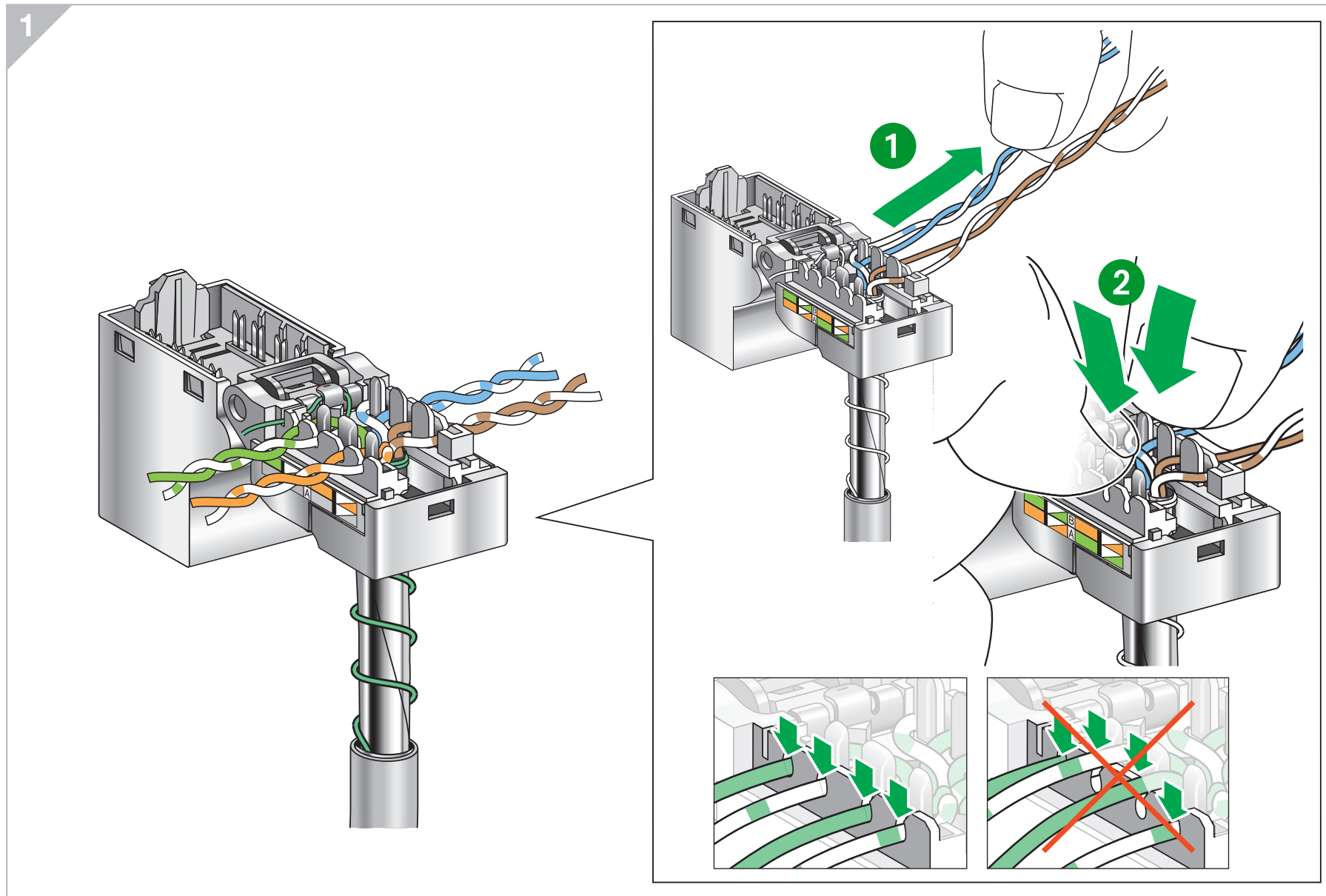
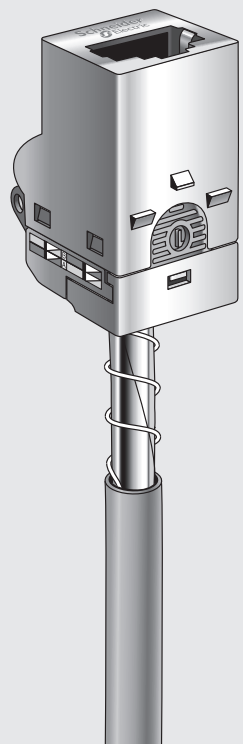
How to prepare a Grade 2 TV cable with EIA-TIA 568B to reach high performance

EIA-TIA 568B (100Ω)



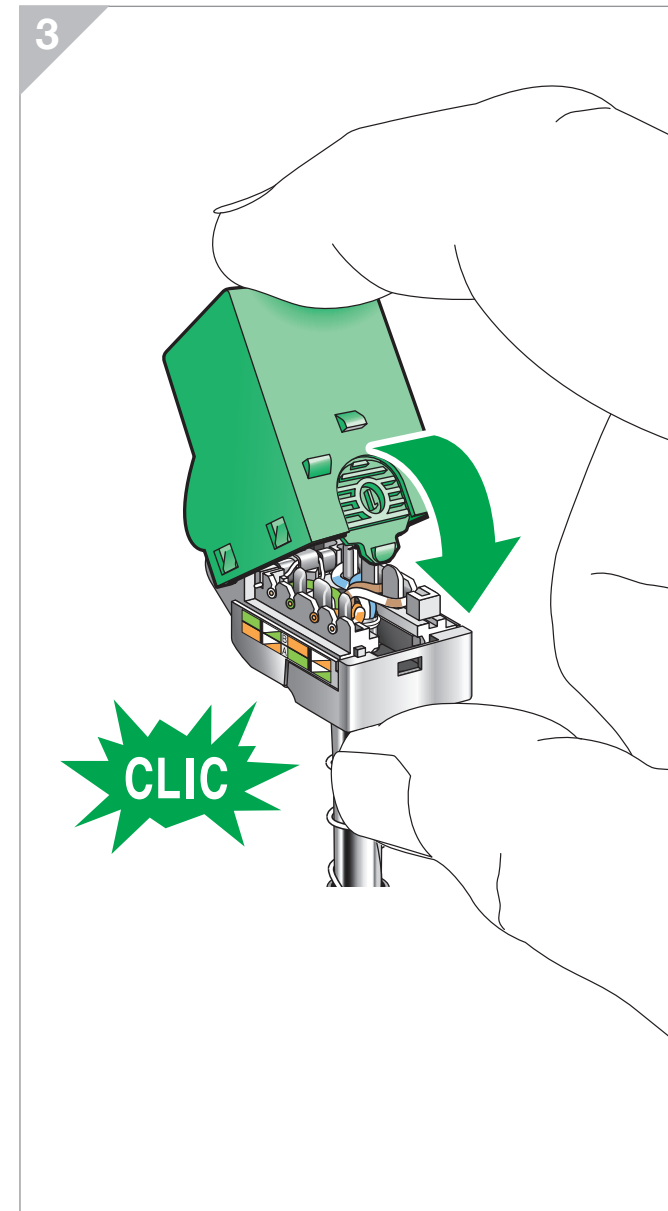
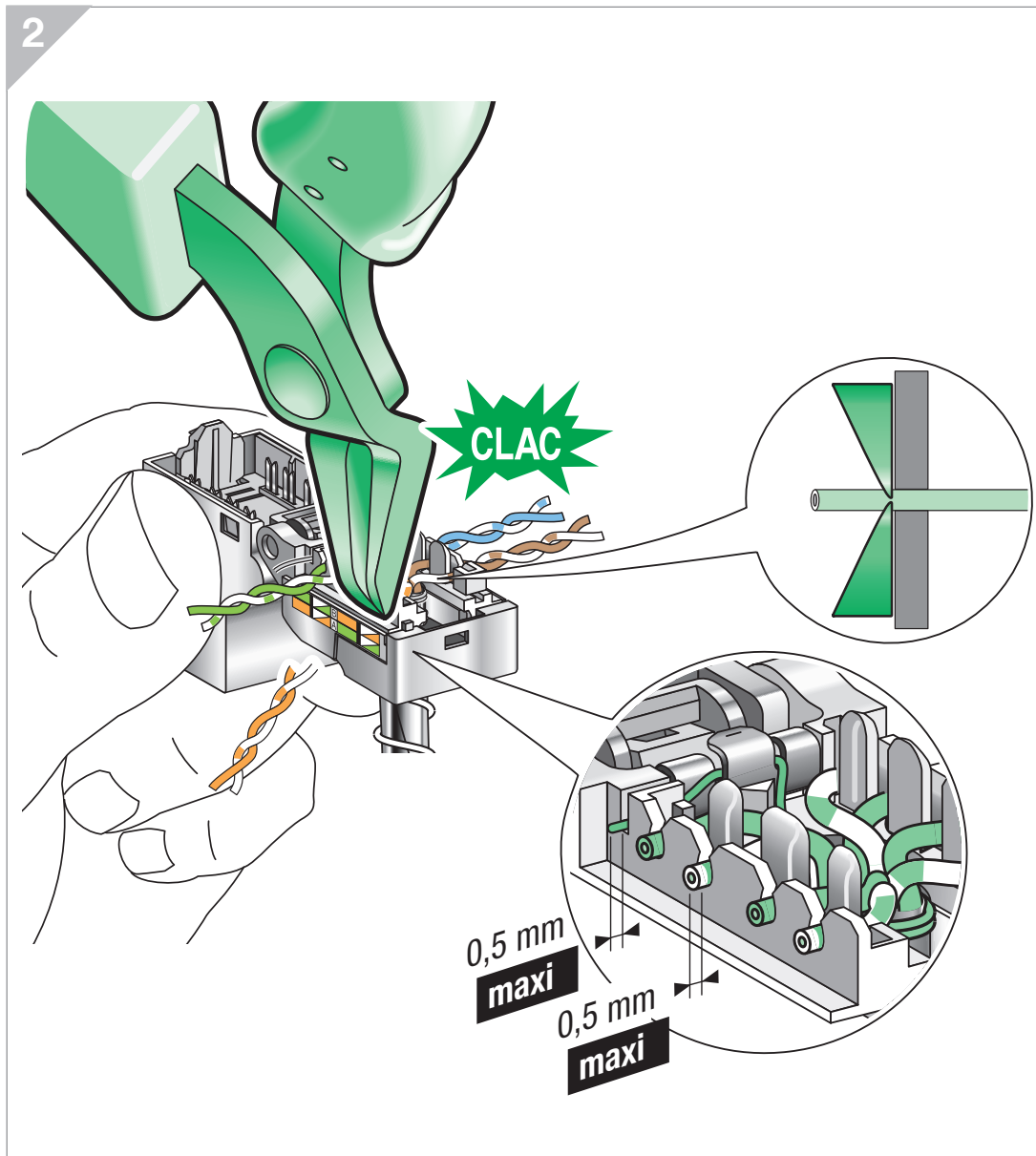
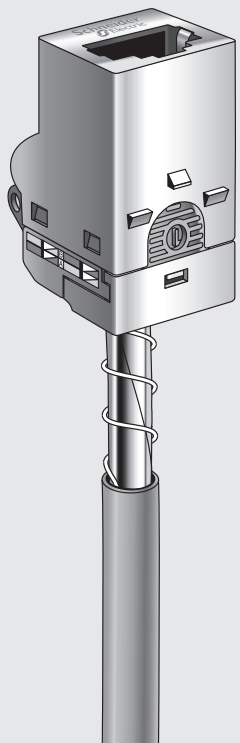
Connector connection

Grade 2 TV



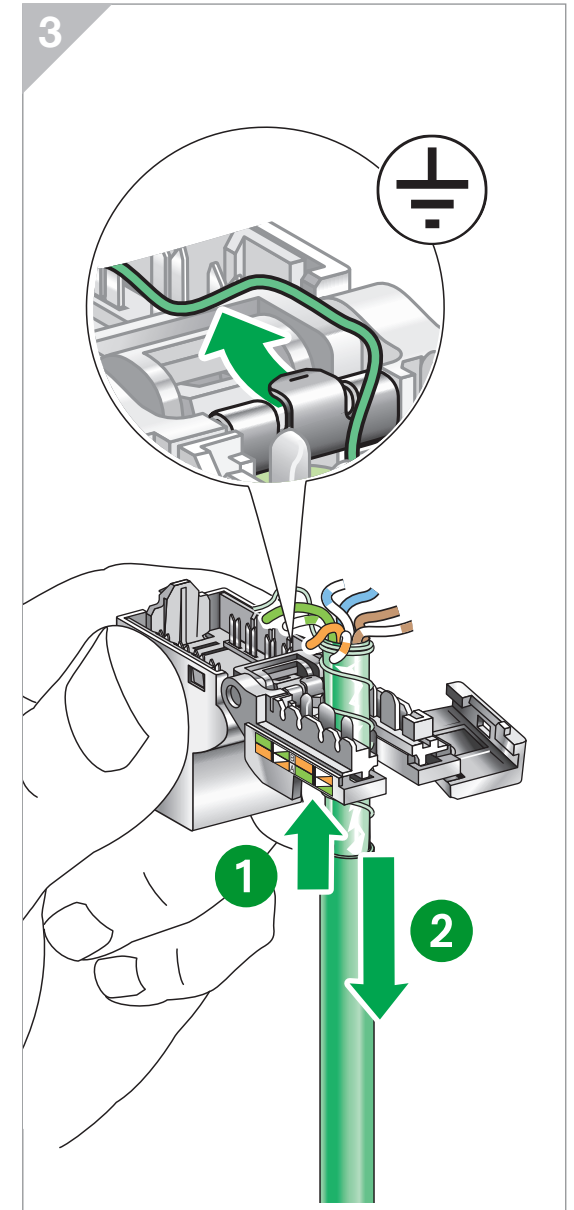
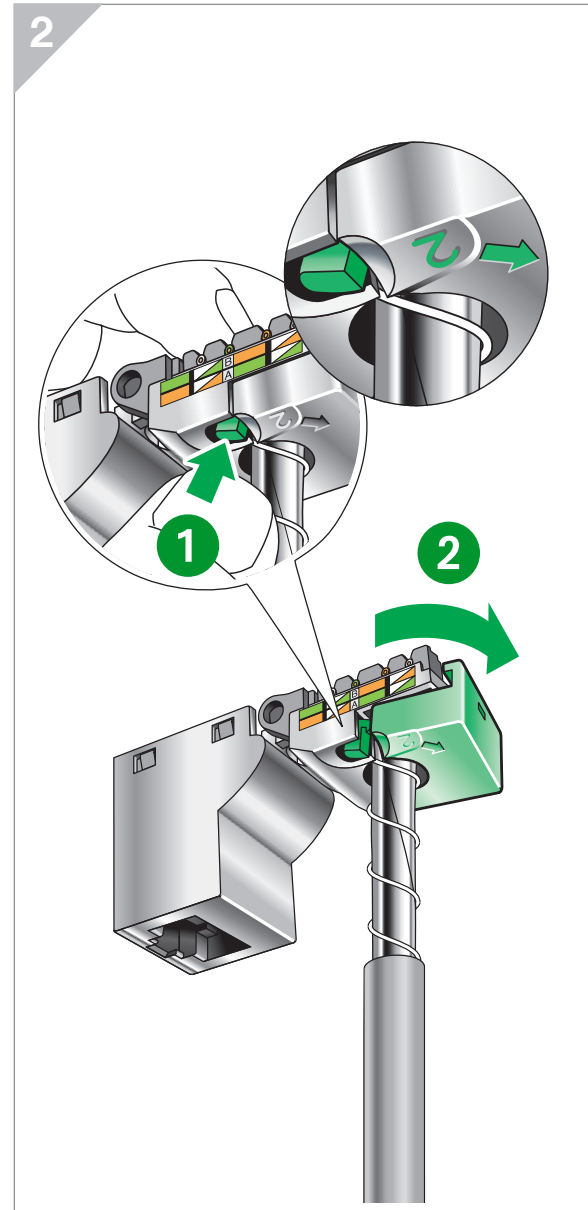
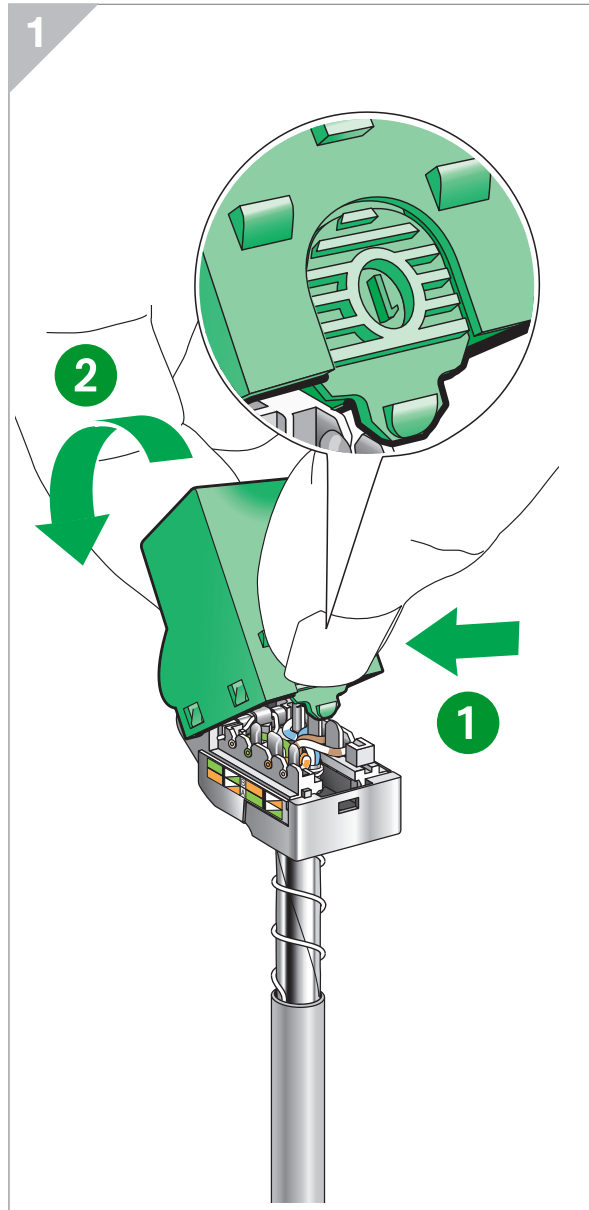
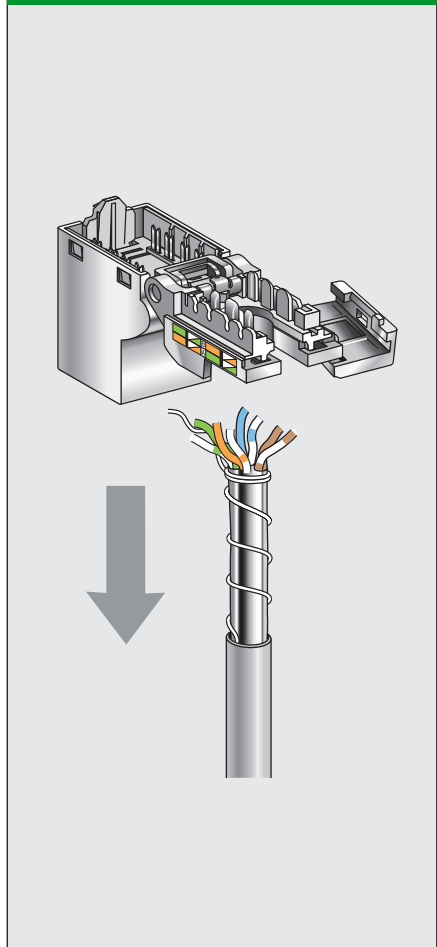
Connector connection

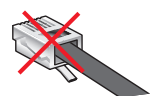
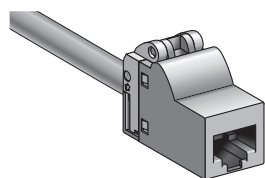
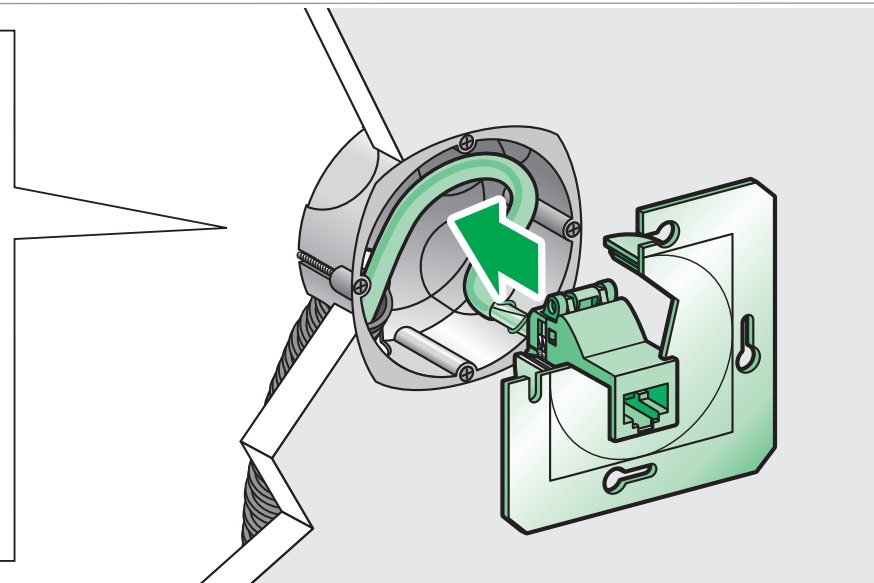
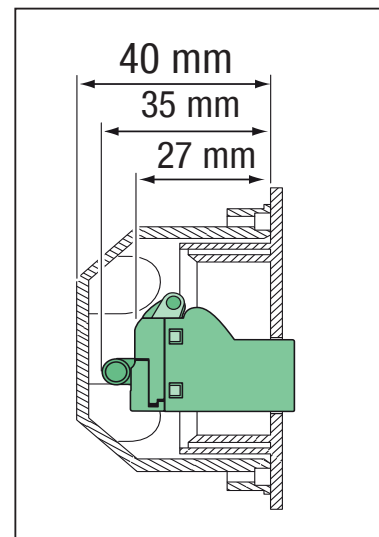
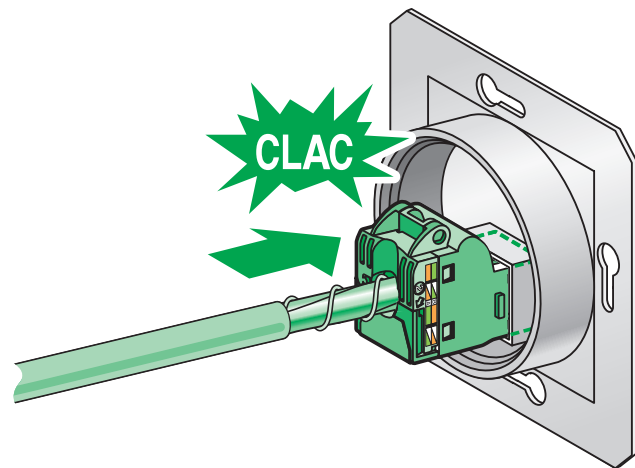
Grade 2 TV



Connector disconnection

Grade 2 TV

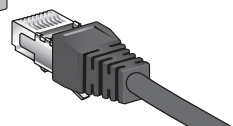




RJ11



Important:
Plugs compliant with
IEC 60603-7 series (RJ45)



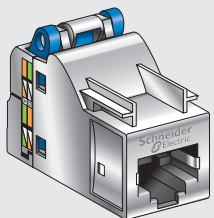
RJ 45



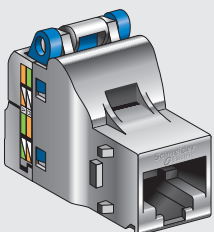
Composition

Shielded connector

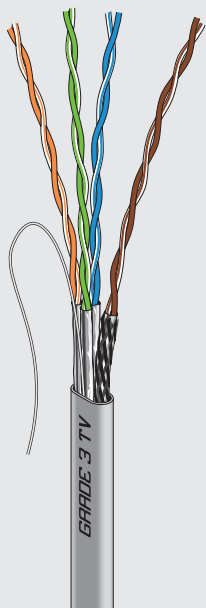
S-One



S-One DPM

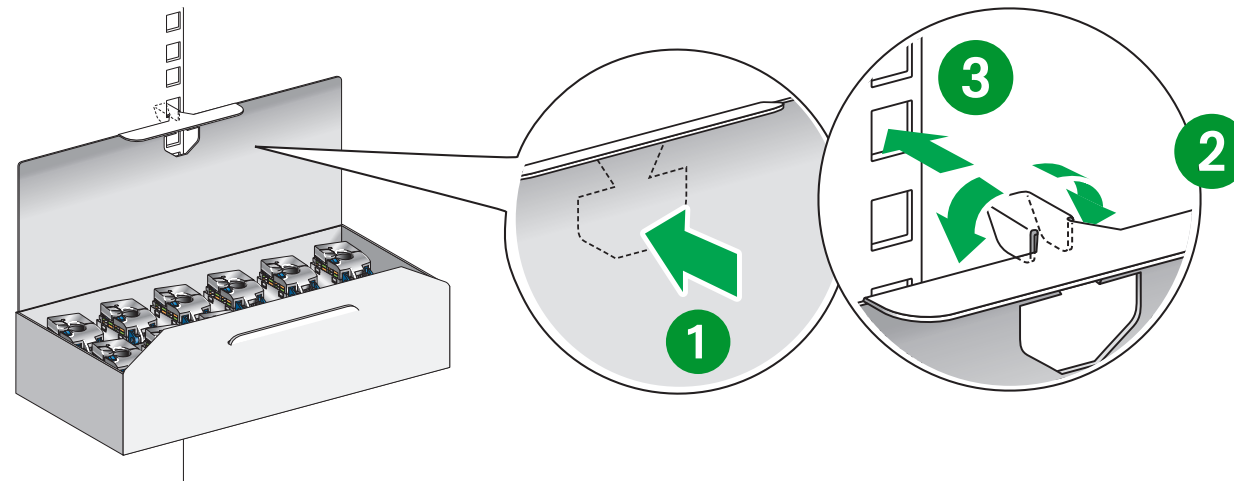
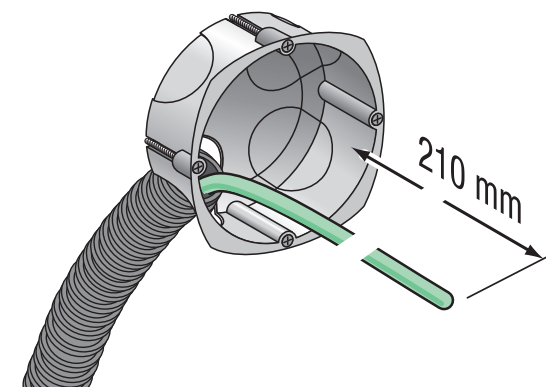


Grade 3 TV



VDIR580020

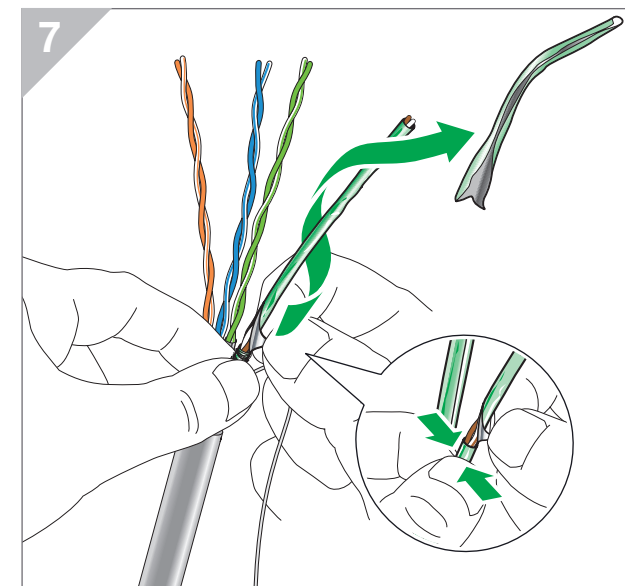
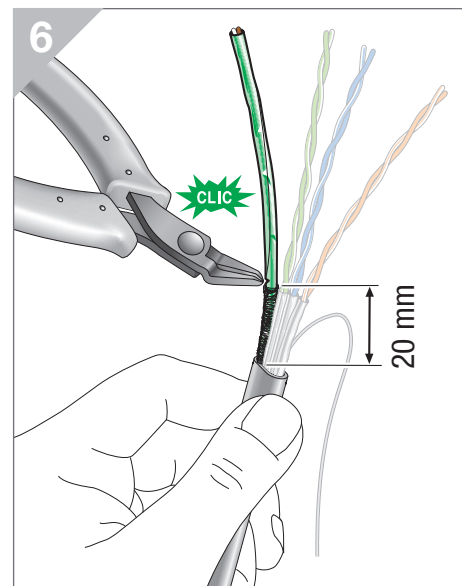
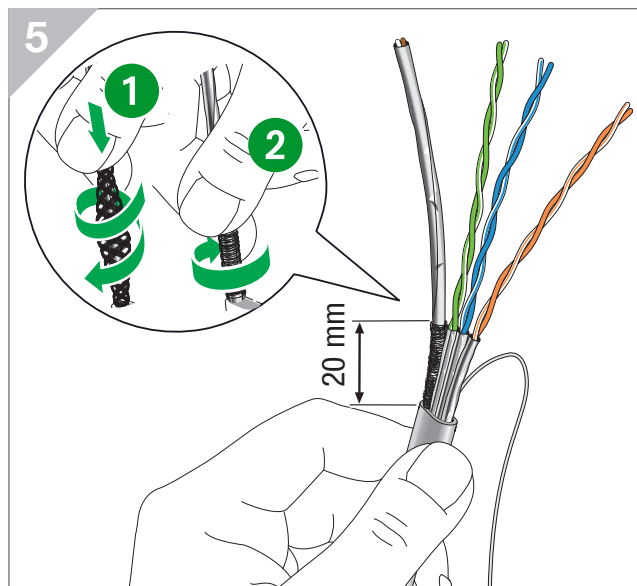
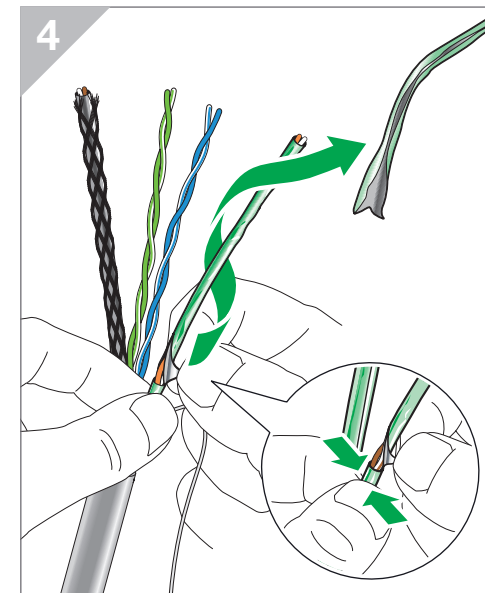
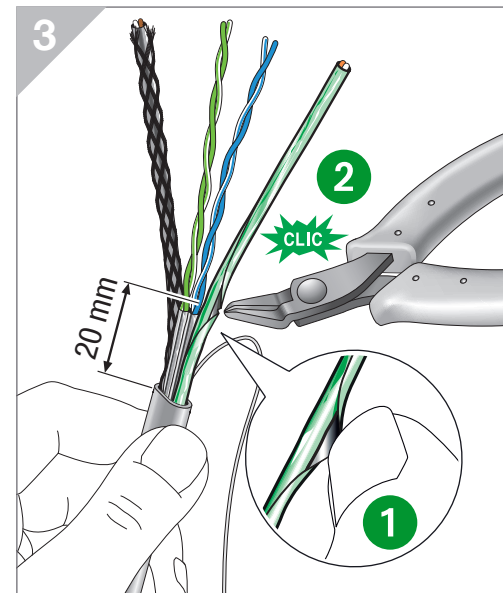
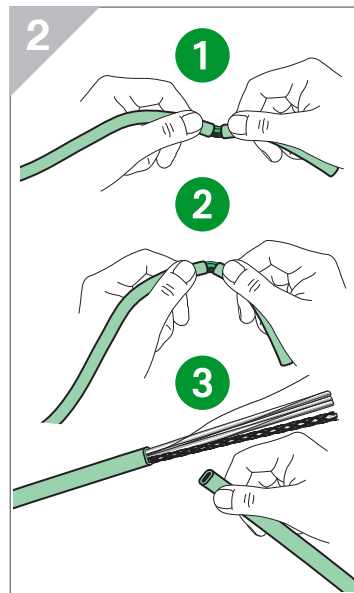
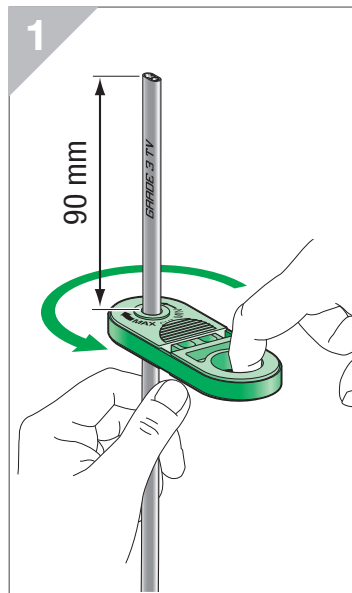
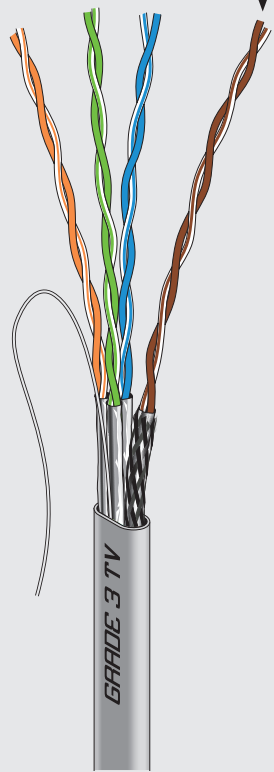
x1



Cable preparation

Grade 3 TV

Paire 7/8

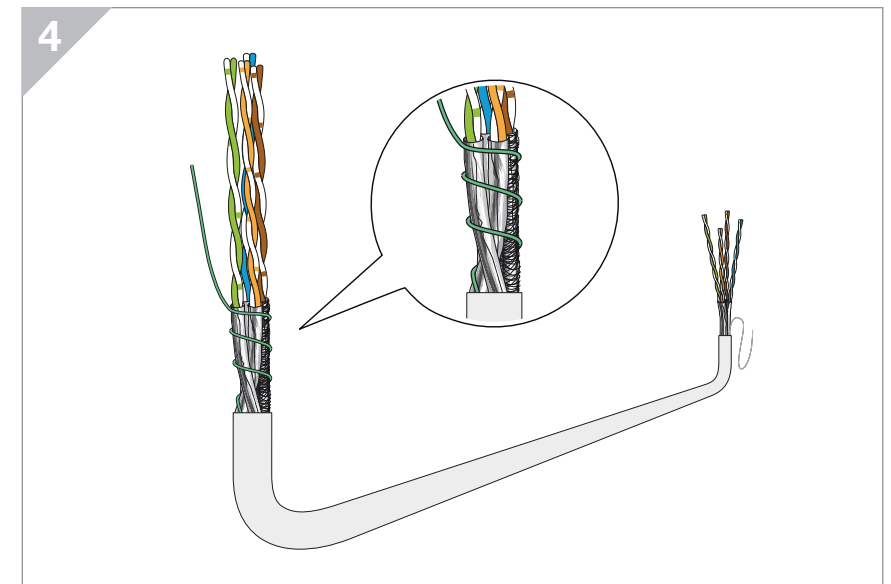
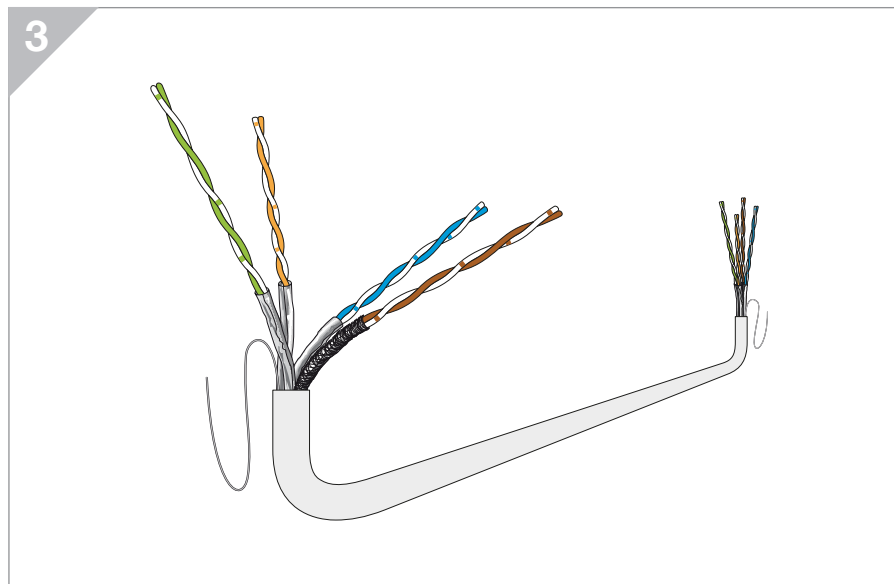
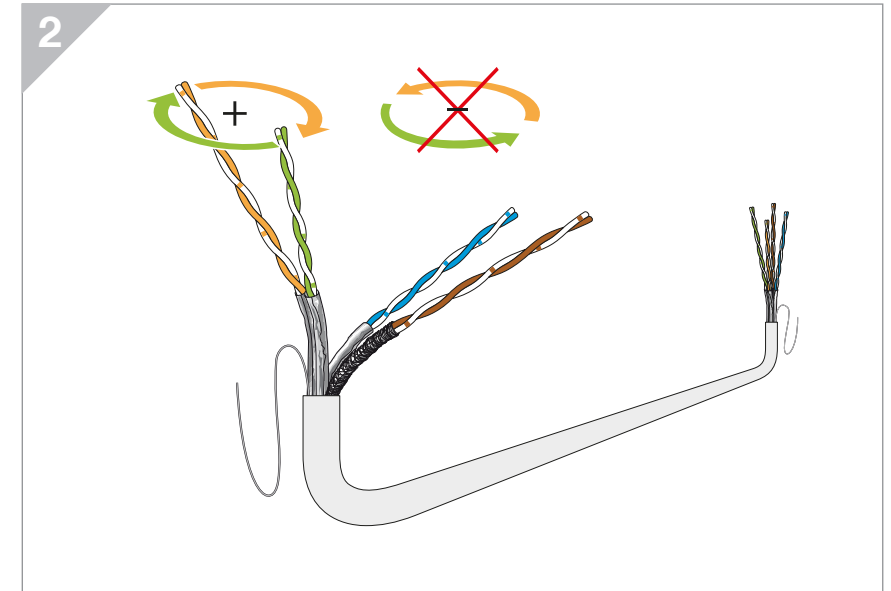
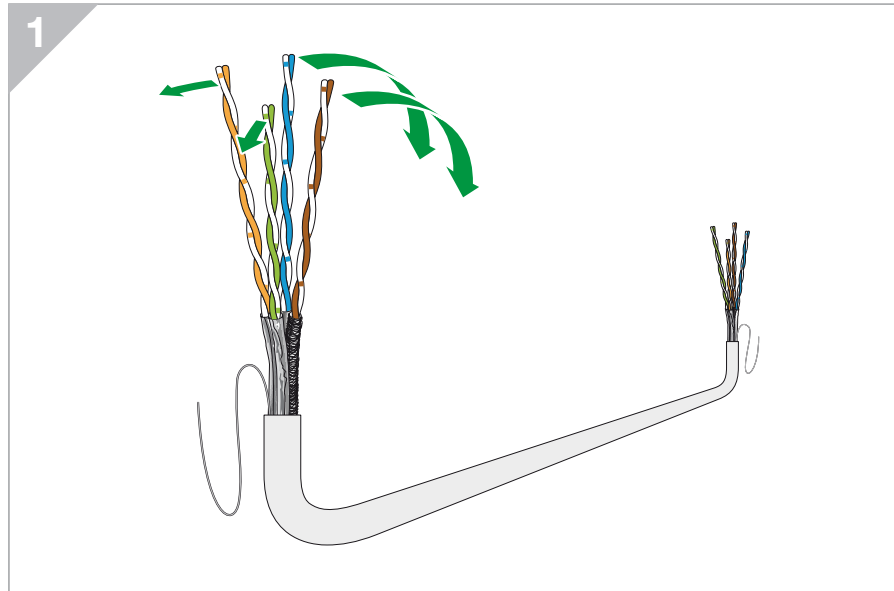
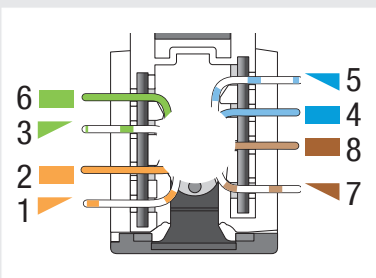


Pairs crossing

Grade 3 TV

How to prepare a Grade 3 TV cable with EIA-TIA 568B to reach high performance

EIA-TIA 568B (100Ω)

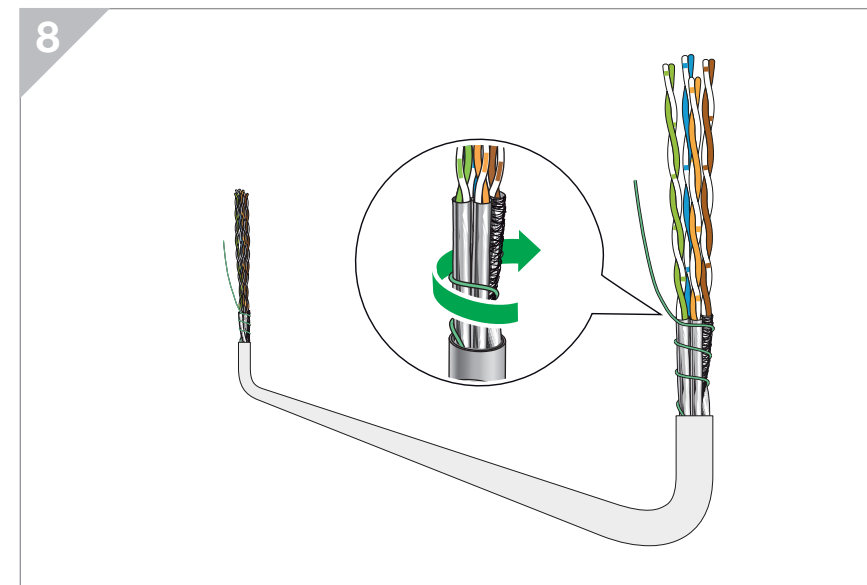
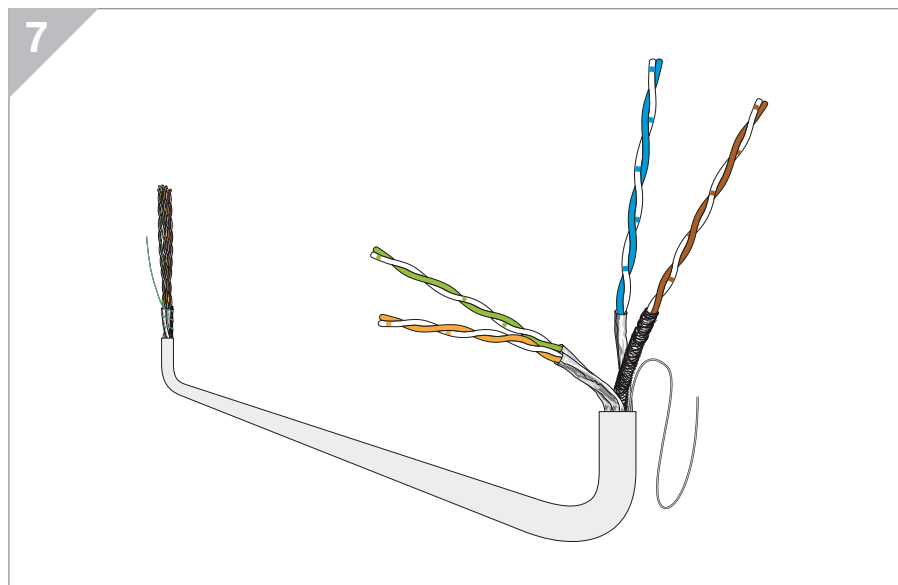
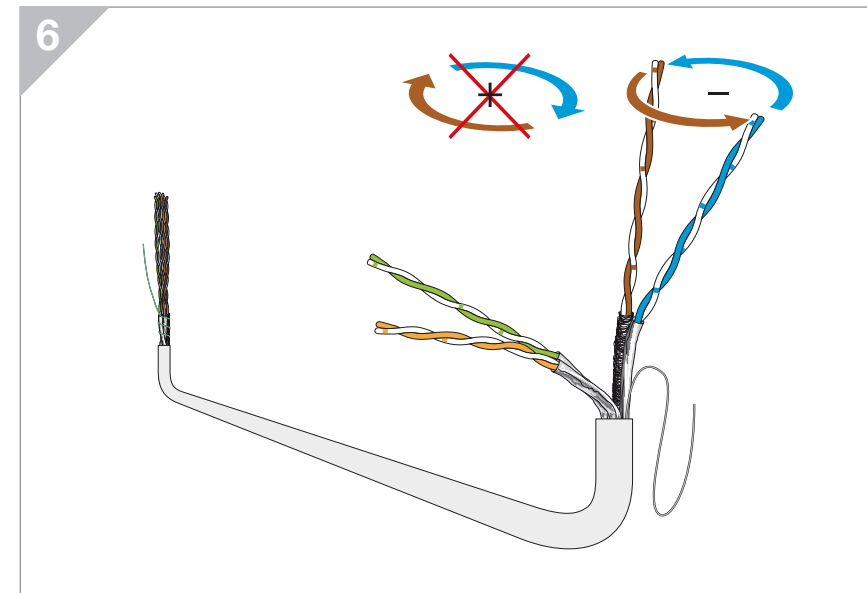
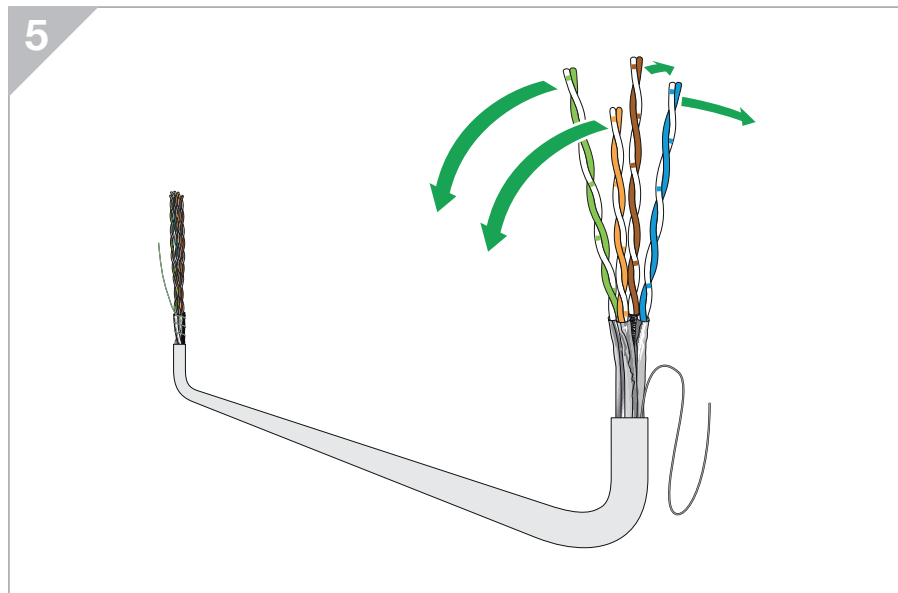
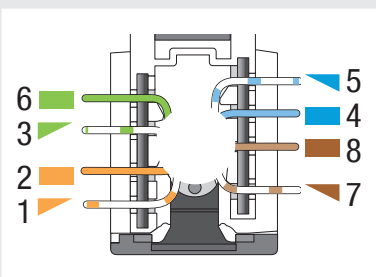


Pairs crossing

Grade 3 TV

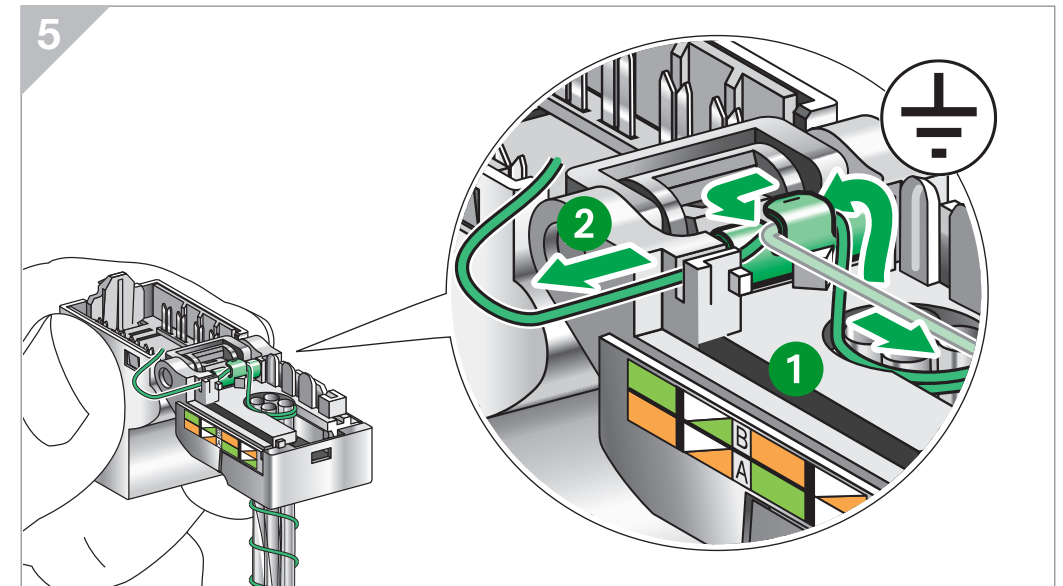
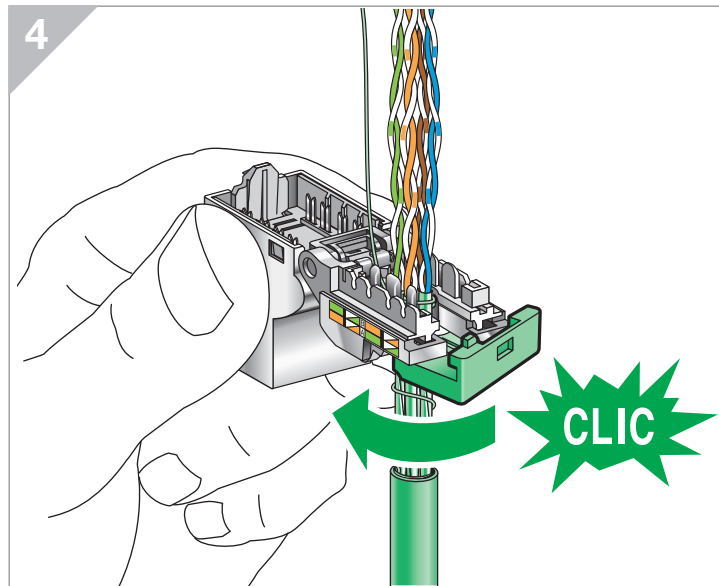
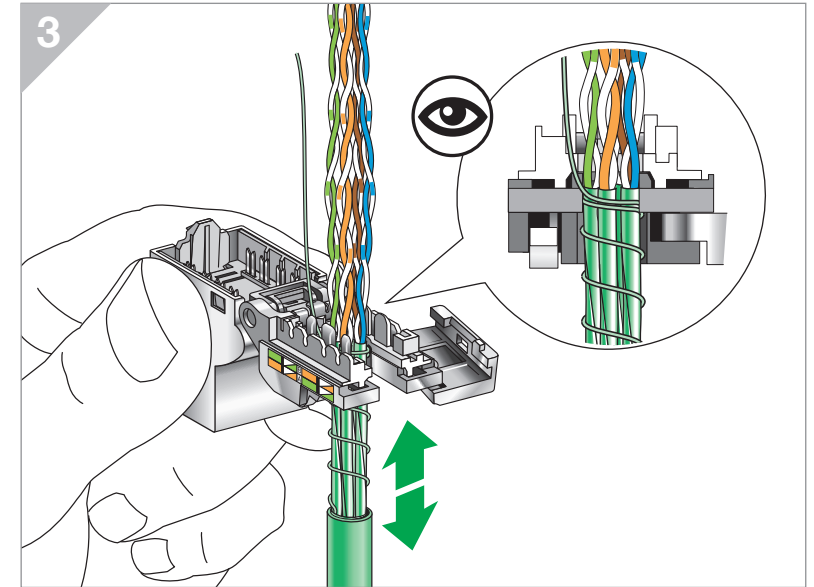
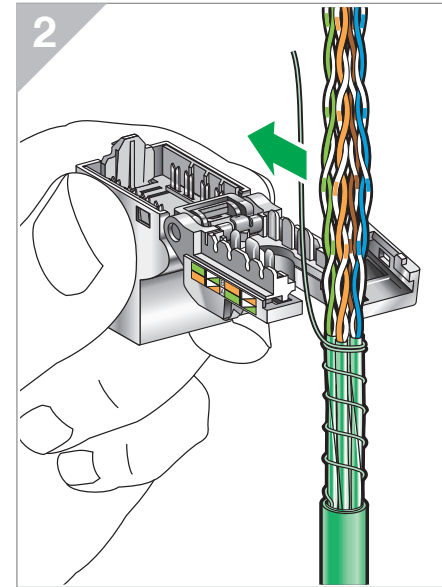
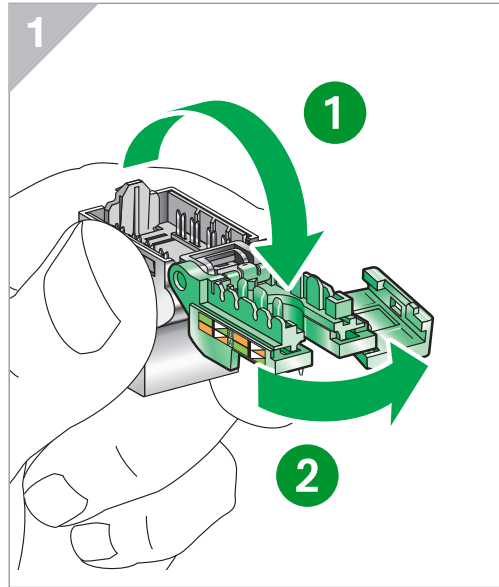
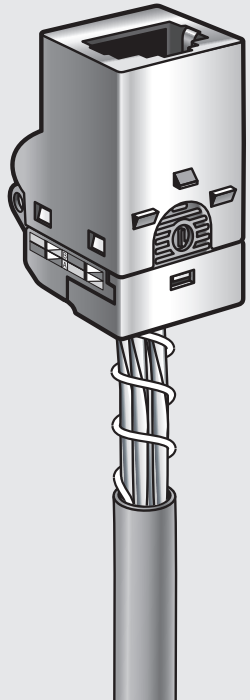
How to prepare a Grade 3 TV cable with EIA-TIA 568B to reach high performance

EIA-TIA 568B (100Ω)



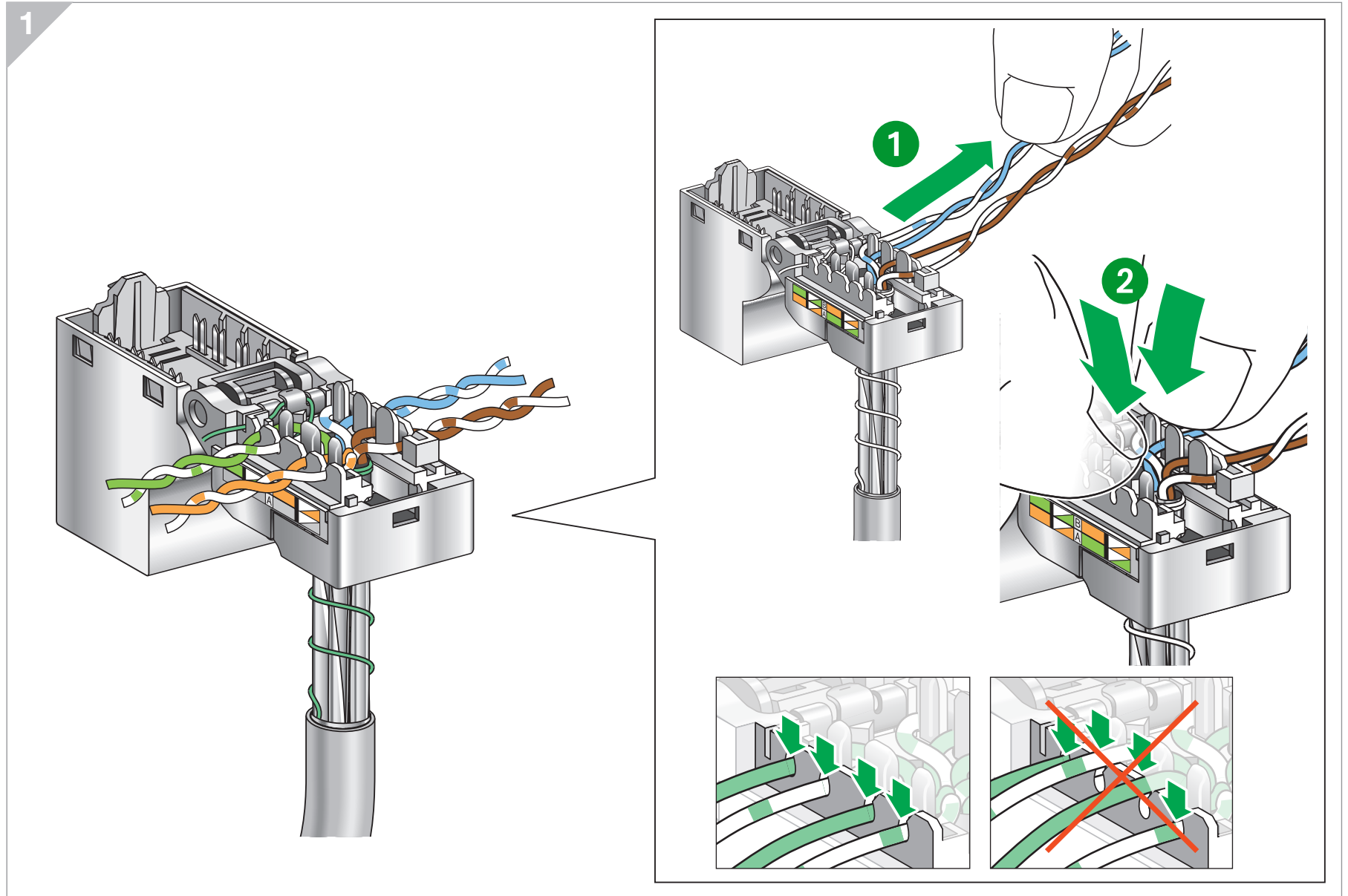
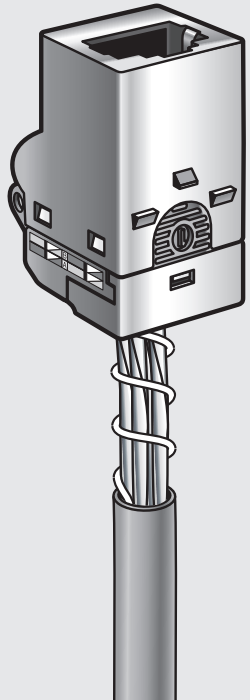
Connector wiring

Grade 3 TV



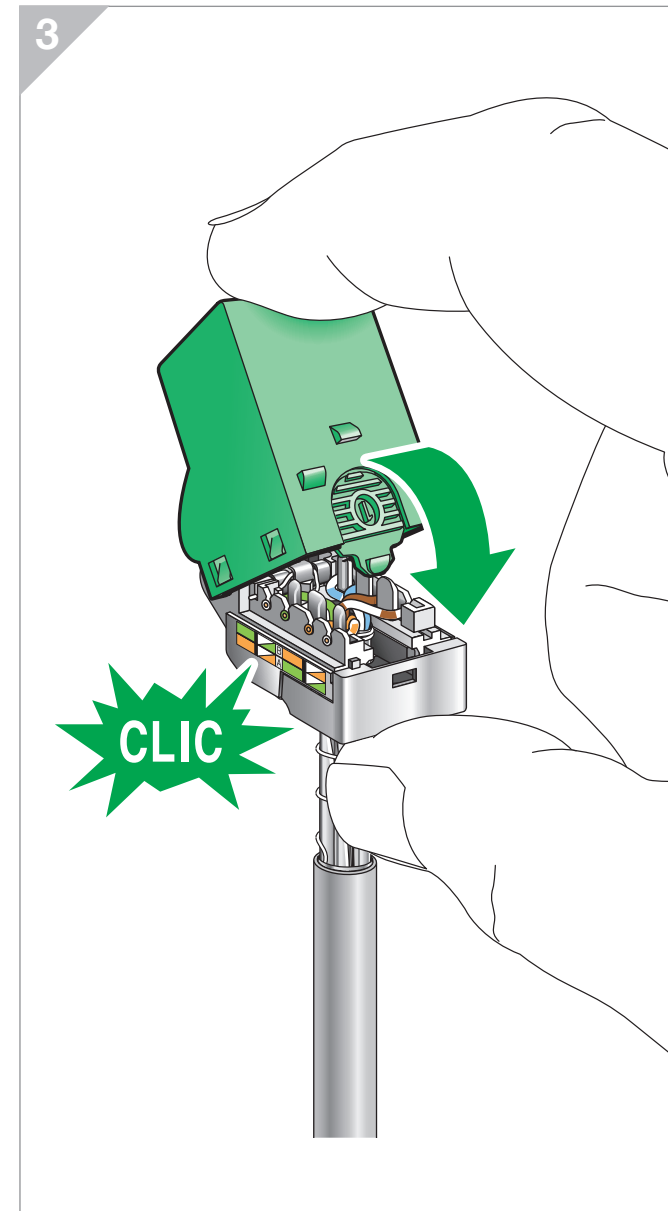
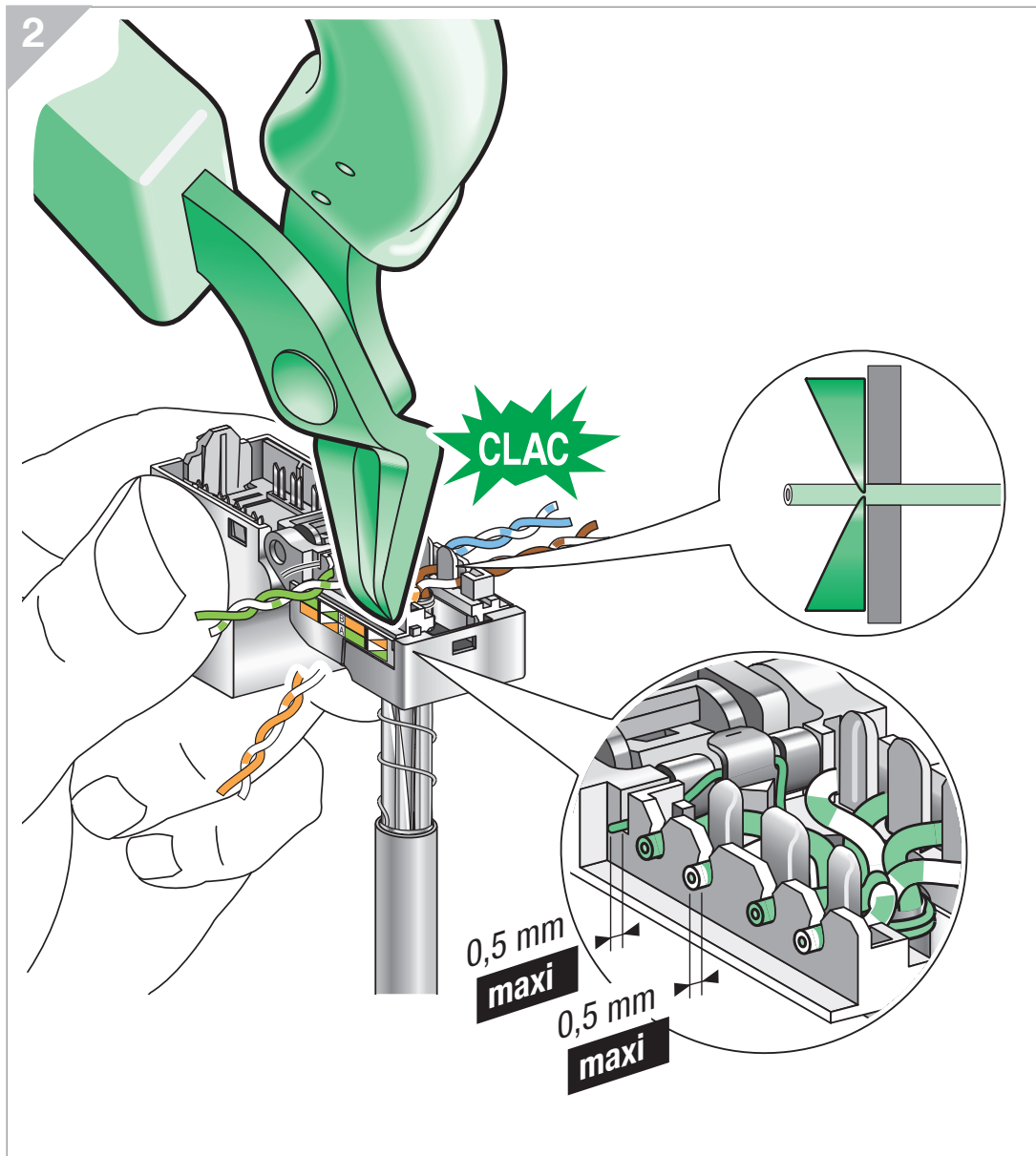
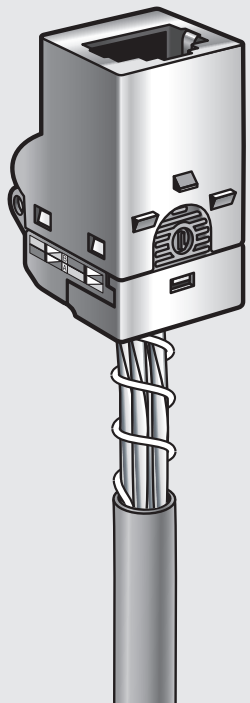
Connector connection

Grade 3 TV



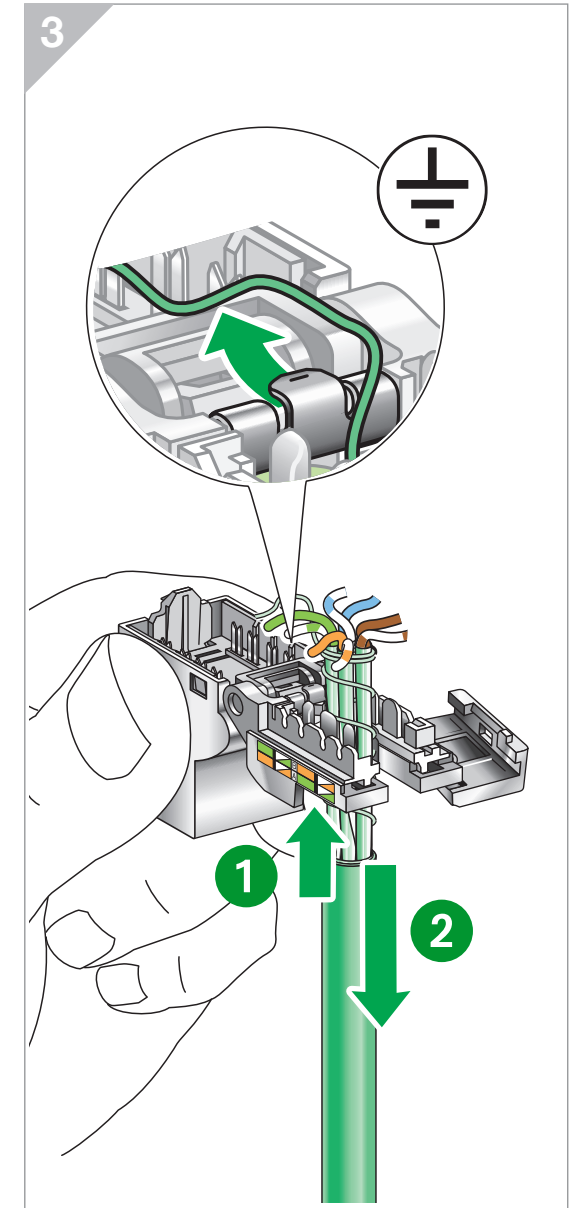
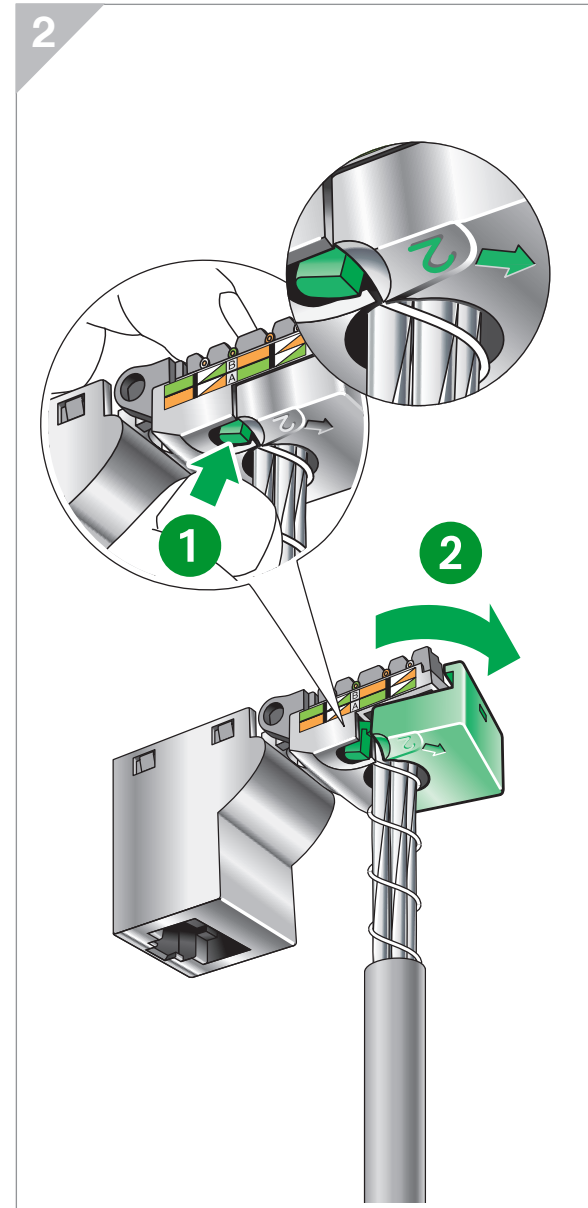
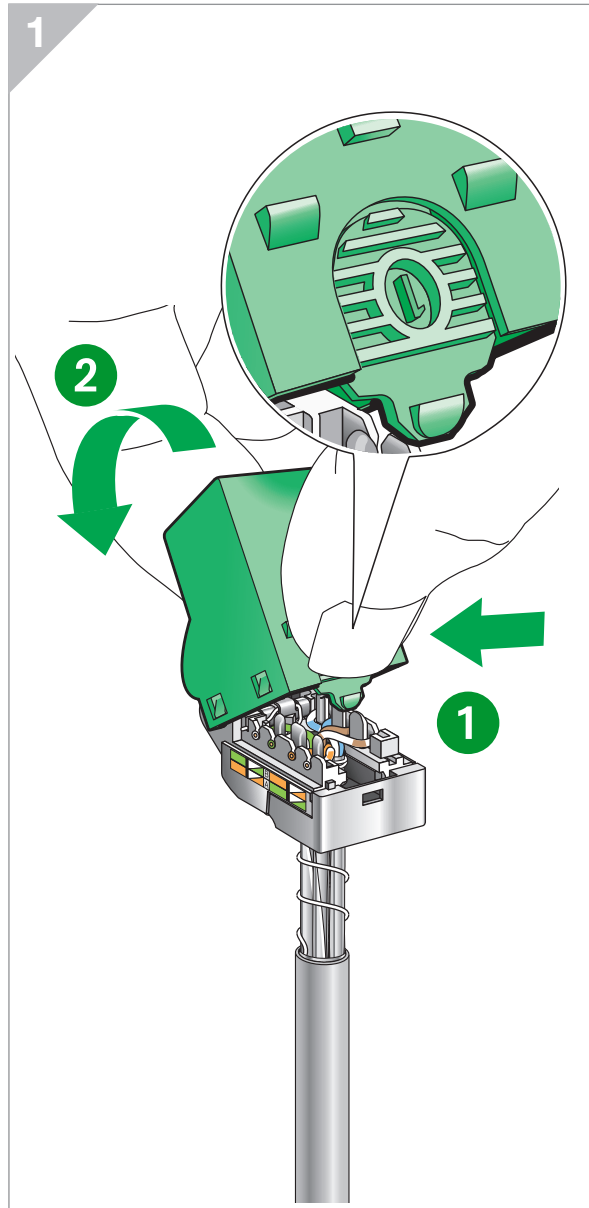
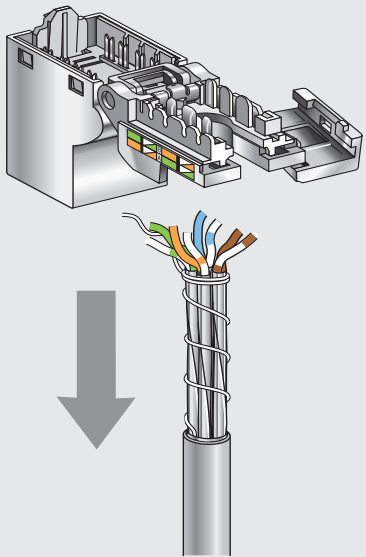
Connector connection

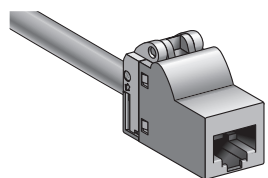
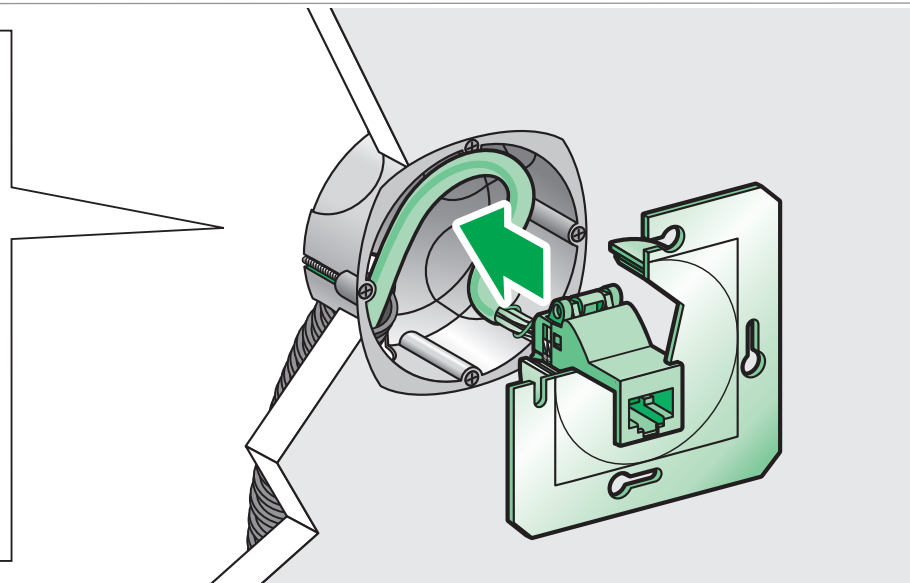
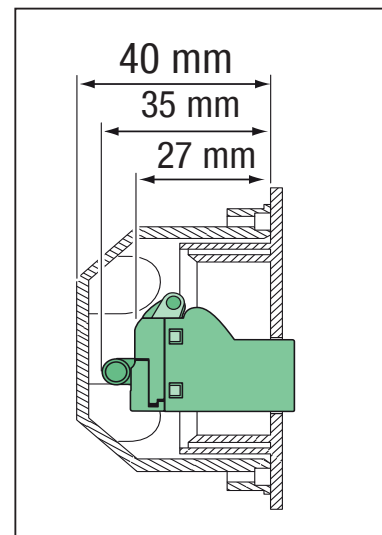
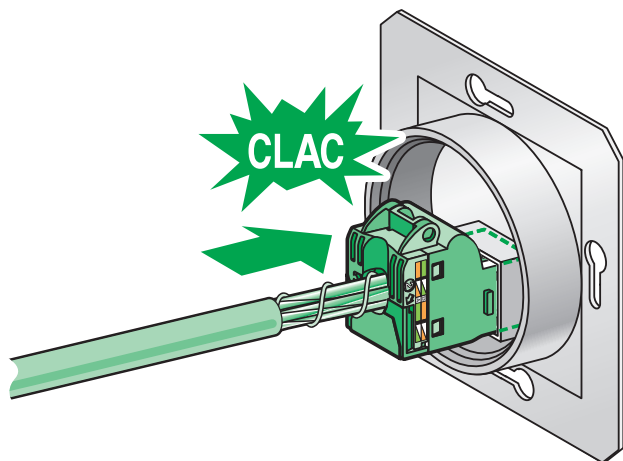
Grade 3 TV



Connector disconnection

Grade 3 TV

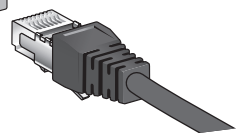




RJ11



Important:
Plugs compliant with
IEC 60603-7 series (RJ45)



RJ 45



Schneider Electric Industries SAS

35, rue Joseph Monier

CS 30323

F - 92506 Rueil Malmaison Cedex

RCS Nanterre 954 503 439

Capital social 896 313 776 €

www.schneider-electric.com

GEX94517000

Ce produit doit être installé, raccordé et utilisé en respectant les normes et/ou les règlements d'installation en vigueur.

En raison de l'évolution des normes et du matériel, les caractéristiques et cotes d'encombrement données ne nous engagent qu'après confirmation par nos services.

This product must be installed, connected and used in compliance with prevailing standards and/or installation regulations.

As standards, specifications and designs change from time to time, always ask for confirmation of the information given in this publication.

© 11-2022 Schneider Electric - All rights reserved.