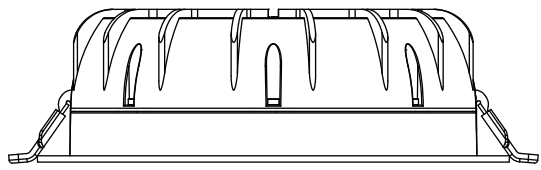
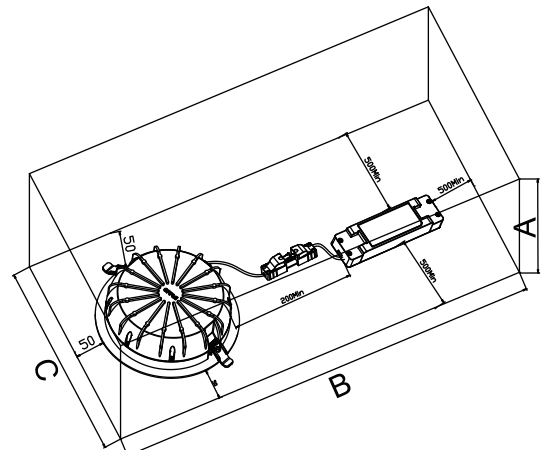
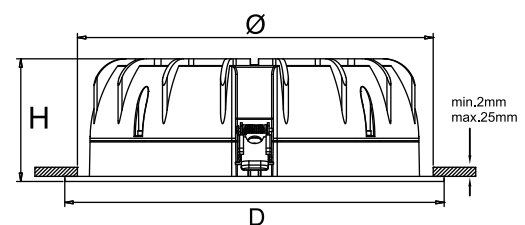


## LED Downlight Performer

Item Code	CCT	kg
540001085100	3000K	0.51kg
540001085200	4000K	0.51kg
540001085300	3000K	0.828kg
540001085400	4000K	0.828kg
540001085500	3000K	0.828kg
540001085600	4000K	0.828kg
540001085700	3000K	0.828kg
540001085800	4000K	0.828kg
540001087500	3000K	0.51kg
540001087600	4000K	0.51kg
540001087700	3000K	0.828kg
540001087800	4000K	0.828kg
540001087900	3000K	0.828kg
540001088000	4000K	0.828kg
540001088100	3000K	0.828kg
540001088200	4000K	0.828kg

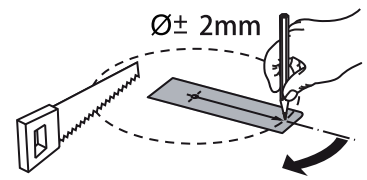



Type	A(mm)	B(mm)	C(mm)	Rated Voltage	Frequency	Rated Power
LED DL-RC-P-HG R150-11.5W BLE	83	483	265	220-240V~	50/60Hz	11.5W
LED DL-RC-P-HG R200-15W BLE	123	543	325	220-240V~	50/60Hz	15W
LED DL-RC-P-HG R200-23W BLE	123	543	325	220-240V~	50/60Hz	23W
LED DL-RC-P-HG R200-33W BLE	123	543	325	220-240V~	50/60Hz	33W
LED DL-RC-P-MW R150-11.5W BLE	83	483	265	220-240V~	50/60Hz	11.5W
LED DL-RC-P-MW R200-15W BLE	123	543	325	220-240V~	50/60Hz	15W
LED DL-RC-P-MW R200-23W BLE	123	543	325	220-240V~	50/60Hz	23W
LED DL-RC-P-MW R200-33W BLE	123	543	325	220-240V~	50/60Hz	33W



Type	H(mm)	Ø(mm)	D(mm)
LED DL-RC-P-HG R150-11.5W BLE	58	140-150	165
LED DL-RC-P-HG R200-15W BLE	73	200	225
LED DL-RC-P-HG R200-23W BLE	73	200	225
LED DL-RC-P-HG R200-33W BLE	73	200	225
LED DL-RC-P-MW R150-11.5W BLE	58	140-150	165
LED DL-RC-P-MW R200-15W BLE	73	200	225
LED DL-RC-P-MW R200-23W BLE	73	200	225
LED DL-RC-P-MW R200-33W BLE	73	200	225

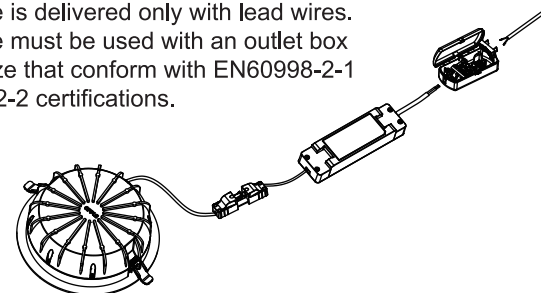
①



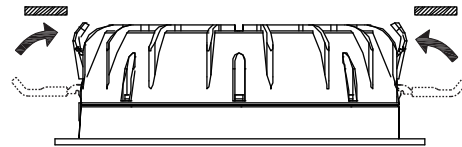
Type	Ø(mm)
LED DL-RC-P-HG R150-11.5W BLE	140-150
LED DL-RC-P-HG R200-15W BLE	200
LED DL-RC-P-HG R200-23W BLE	200
LED DL-RC-P-HG R200-33W BLE	200
LED DL-RC-P-MW R150-11.5W BLE	140-150
LED DL-RC-P-MW R200-15W BLE	200
LED DL-RC-P-MW R200-23W BLE	200
LED DL-RC-P-MW R200-33W BLE	200

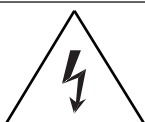
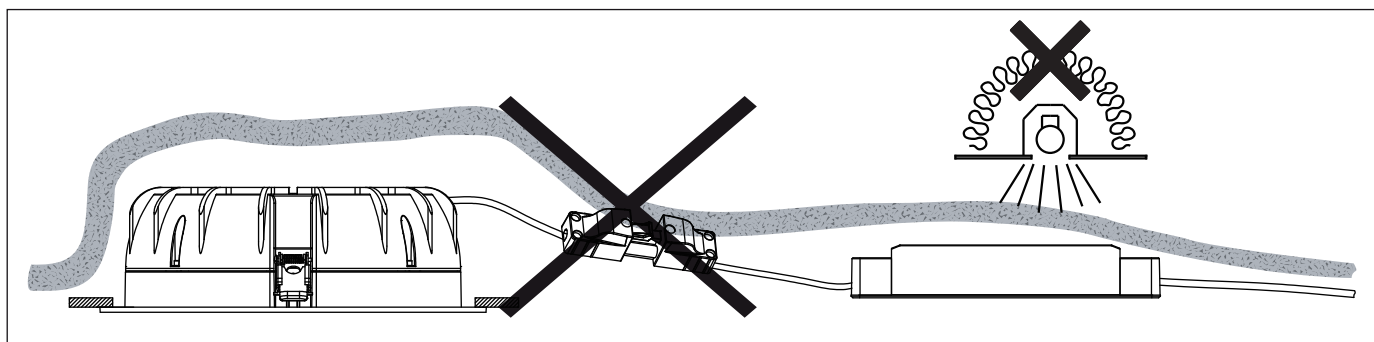
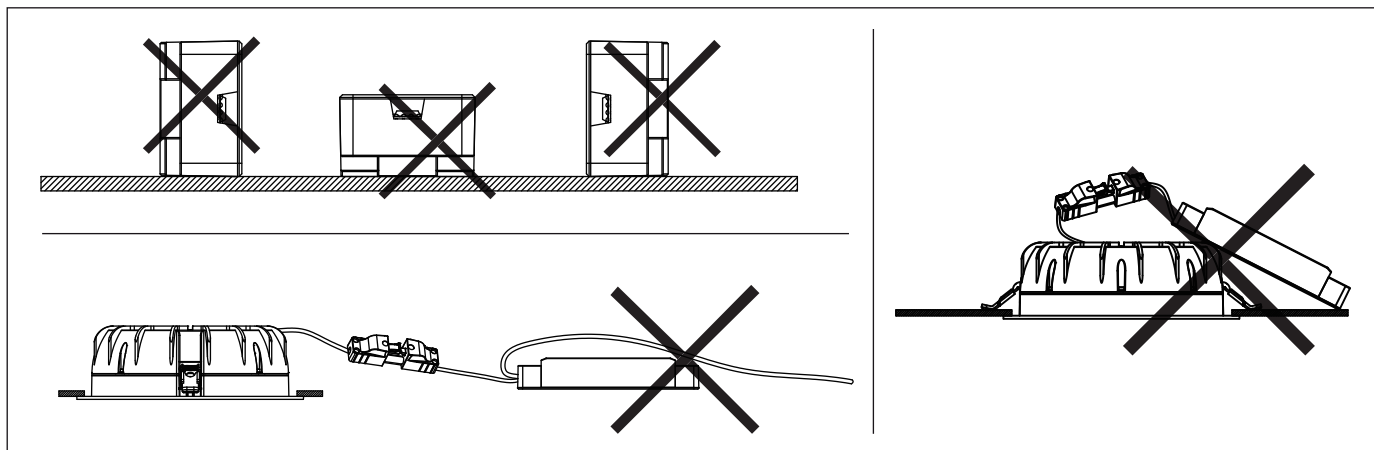
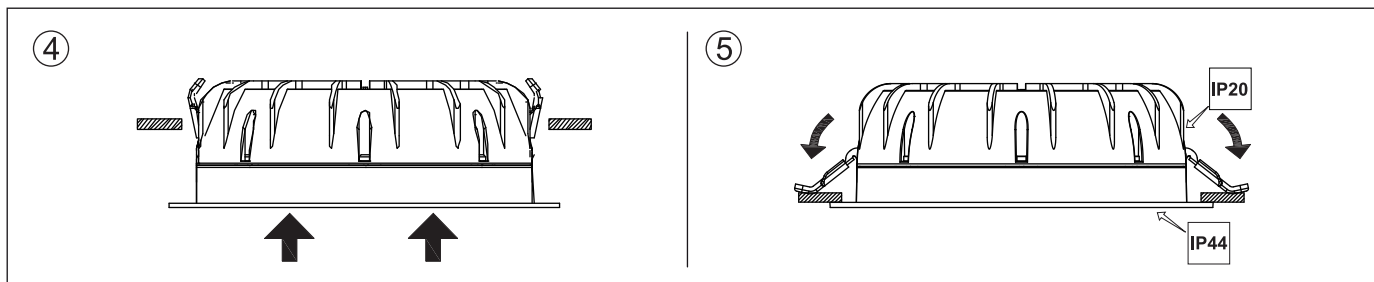
The luminaire is delivered only with lead wires. The luminaire must be used with an outlet box of suitable size that conform with EN60998-2-1 or EN60998-2-2 certifications.

②



③





For non-user replaceable light sources.  
 "The light source contained in this luminaire shall only be replaced by the manufacturer or his service agent or a similar qualified person."



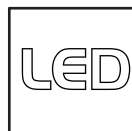
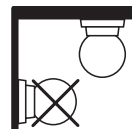
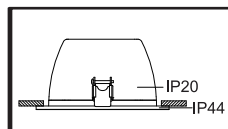
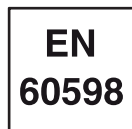
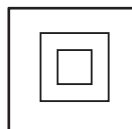
Luminaires not suitable for covering with thermally insulating material.  
 Leuchten sind nicht mit thermisch isolierenden Materialien abzudecken.



In case of damage to the wire, it has to be replaced only by the manufacturer, distributor or by an expert, to avoid risks.  
 Zur Vermeidung von Risiken müssen defekte Leitungen ausschließlich vom Hersteller, Inverkehrbringer oder Fachmann ausgetauscht werden.

Bluetooth Operating frequency: 2402-2480 MHz

Bluetooth Max Transmission Power: <20dBm



Opplé Lighting Electronic (Zhongshan) Co., Ltd.  
 Building A, No.275 Dongan Bei Road,  
 Haizhou District,  
 Guzhen Town,  
 Zhongshan City,  
 Guangdong, China.

OPPLE Lighting B.V.  
 Materiaalweg 6-6A  
 5681 RJ Best  
 The Netherlands  
 service@opple.com  
 www.opple.com

Data subject to change  
 Les données sont sujettes à modifications  
 Änderungen vorbehalten