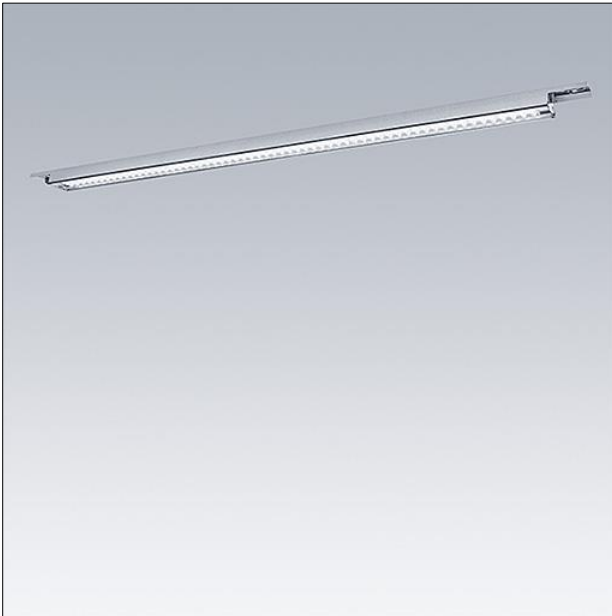
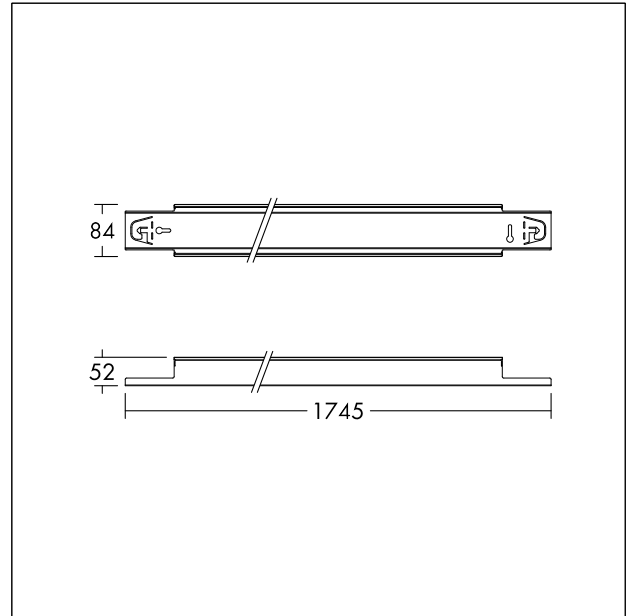


IP23 LED Batten

IP23 LED Batten with lens optic for batwing light distribution, UGR <22 for indoor applications. Total luminous flux: 12000 lm. Luminaire input power: 75 W. Luminaire efficacy: 160 lm/W. Colour rendering Ra > 80, colour temperature 4000 K. Lifetime: 100.000hrs@L70 Chromaticity tolerance (initial MacAdam): 3, Impact strength: IK07. Ambient temperature: -20 ~ +40°C. Suitable for surface mounting or catenary suspension. Throughwired: equipped with 5-pole push-terminal, toolfree installation. Dimensions: 1745 x 85 x 52 mm, weight: 2.95 kg



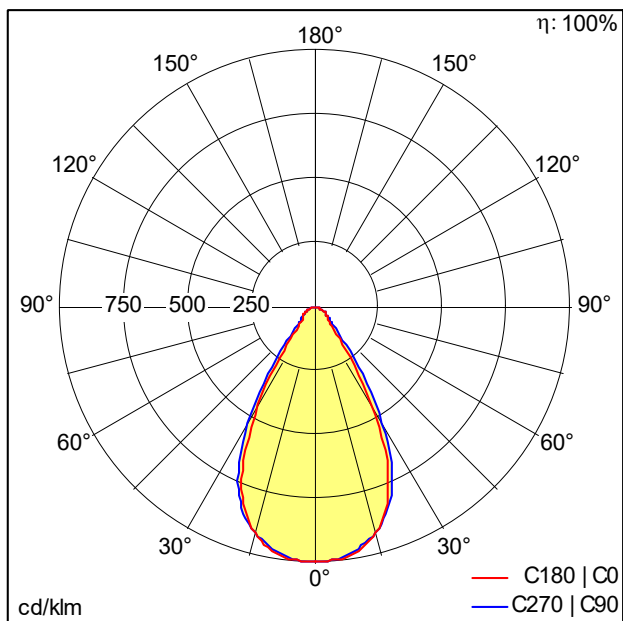
TE_BALDER_F_persp.jpg



TE_BALDER_M_XL.wmf

Light Distribution

STD - standard



TE_BALDER_1745_IP23_12000_840_MB.ltd

- Light Source: LED
- Luminaire luminous flux*: 12024 lm
- Luminaire efficacy*: 160 lm/W
- Colour Rendering Index min.: 80
- Correlated colour temperature*: 4000 Kelvin
- Chromaticity tolerance (initial MacAdam): 3
- Rated median useful life*: L70 100000 h at 25 °C
- Ballast: 1x LED_Con
- Luminaire input power*: 75 W Power factor = 0.9
- Dimming: Fixed output
- Maintenance category CIE 97: D - Enclosed IP2X
- Total harmonic distortion (THD): 15.00 %

This product contains a light source of energy efficiency class C.

All values marked with an * are rated values. Connected electrical load and luminous flux are subject to an initial tolerance of +/- 10%, the most similar colour temperature is subject to an initial tolerance of +/- 150K. Unless stated otherwise, the values apply to an ambient temperature of 25°C.