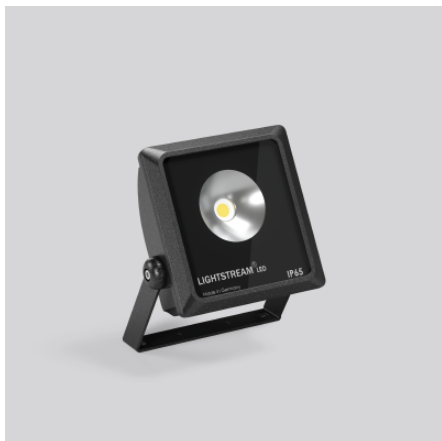


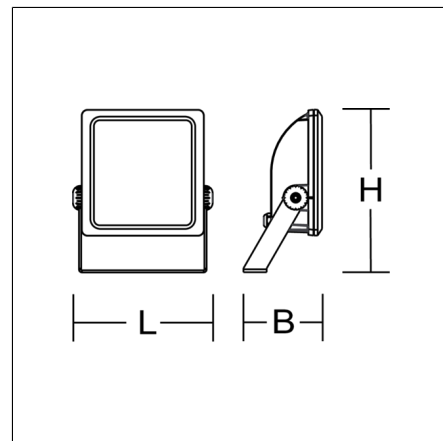
LIGHTSTREAM mini

721714.1131.1 | Spotlights



Spotlights
4051859012061
L 194, B 109, H 226

Universal mounting system
anthracite metallic (DB703)



LED floodlight for accent and area lighting. Housing made of corrosion-resistant die-cast aluminium for outdoor use, powder-coated. Bracket: aluminium, powder-coated. Standard Gore™ Protective Vents diaphragm valve to avoid condensation. Reflector made of high purity aluminium, glossy brightened and anodised. COB LED with socket for easy replacement. Ceramic coated toughened glass. Rotationally symmetric wide beam light distribution. Piano-key terminal up to 5 x 2,5 mm², max cable Ø 13 mm. Second cable gland for loop through available as accessory.

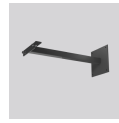
Product specifications

| | |
|--|--------------------------|
| Length L | 194 mm |
| Width B | 109 mm |
| Height H | 226 mm |
| Weight | 1.37 kg |
| Light source | LED |
| Colour temperature | 4000 K |
| Rated luminous flux | 2250 lm |
| System power | 23 W |
| System efficiency | 98 lm/W |
| Glare evaluation UGR (4H 8H) | 29,4 |
| Beam angle | 106° |
| Rated life | 50000 h (L80/B10) |
| Colour rendering index (CRI) | 85 |
| Colour tolerance | 3 |
| Photobiological safety according to EN 62471 | Risk group 1 |
| Driver | Converter |
| Control | on/off |
| Voltage | 220 - 240 V / 50 - 60 Hz |
| Luminaires on B10A fuse | 31 |
| Luminaires on B16A fuse | 50 |
| Luminaires on C10A fuse | 52 |
| Luminaires on C16A fuse | 85 |
| Inrush current / Inrush current duration | 5 A / 50 µs |
| CIE Flux Code / CEN Flux Code | 63 99 100 100 100 |
| Type of protection | IP 65 |
| Protection class | I |
| Filament test | 960°C - 30 seconds |
| Impact resistance | IK07 |
| Ambient temperature | -25 °C ... + 50 °C |
| Safety marks | D-mark |
| Test marks | ENEC, VDE |
| Conformity mark | CE, EAC |

Accessories



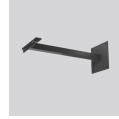
982058.000
Wall bracket, 500 mm, uncoated



982058.0031
Wall bracket, 500 mm, anthracite metallic



982086.000
Wall bracket, 1000 mm, uncoated



982086.0031
Wall bracket, 1000 mm, anthracite metallic



982047.000
Pole attachment (single): for spigot 60 mm, unpainted



982047.0031
Pole attachment (single): for spigot 60 mm, anthracite metallic (DB703)



982048.000
Pole attachment (single): for spigot 76 mm, unpainted



982048.0031
Pole attachment (single): for spigot 76 mm, anthracite metallic (DB703)



982049.000
Pole attachment (double): for spigot 60 mm, unpainted



982049.0031
Pole attachment (double): for spigot 60 mm, anthracite metallic (DB703)



982050.000
Pole attachment (double): for spigot 76 mm, unpainted



982050.0031
Pole attachment (double): for spigot 76 mm, anthracite metallic (DB703)



982090.000
Pole clip for pole diameter 95 - 113 mm



982091.000
Pole clip for pole diameter 114 - 132 mm



982367.009
Cable gland M16x1,5



982524.0031
Adapter set for 4-fold configuration (4 x 90°)



981962.003
Earth spike

Spareparts



981933.0031
Front frame with safety pane