



MASTERCcolour CDM MW Eco

MASTERCcolour CDM-T MW eco 230W/842 E40

Ceramic metal halide lamps with clear tubular or coated ellipsoid outer bulb, tailor-made to replace and outperform quartz metal halide lamps on existing gear.

Warnings and Safety

- For use with control gear designed for high pressure mercury or high-pressure sodium lamps with external ignitor
- A lamp breaking is extremely unlikely to have an impact on your health. If a lamp breaks, ventilate the room for 30 minutes and remove the parts, preferably with gloves. Put them in a sealed plastic bag and take it to your local waste facilities for recycling. Do not use a vacuum cleaner.
- Warm restart time can be up to 15 minutes; T15 ignitors therefore advised.

Product data

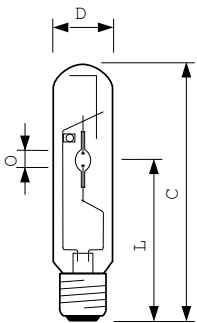
Operating and Electrical		Correlated Color Temperature (Nom)		4200 K
Power Consumption	227.0 W	Luminous Efficacy (rated) (Nom)	94 lm/W	
Voltage (Nom)	127 V	Color rendering index (CRI)	88	
Voltage (Nom)	127 V			
General Information		Controls and Dimming		
Cap-Base	E40 [E40]	Dimmable	No	
Operating Position	UNIVERSAL [Any or Universal (U)]	Mechanical and Housing		
Flux measurement reference	Sphere	Bulb Finish	Clear	
Light Technical		Bulb Material	Hard Glass	
Color Code	842 [CCT of 4200K]	Bulb Shape	T46 [T 46mm]	
Luminous Flux	21,400 lumen	Approval and Application		
Color Designation	Cool White (CW)	Mercury (Hg) Content (Max)	32 mg	
Chromaticity Coordinate X (Nom)	0.371	Mercury (Hg) Content (Nom)	32.0 mg	
Chromaticity Coordinate Y (Nom)	0.366	Energy Consumption kWh/1000 h	227 kWh	

MASTERCLOUR CDM MW Eco

EPREL Registration Number	473,314
Product Data	
Full product code	871869659681400
Order product name	MASTERCLOUR CDM-T MW eco 230W/842 E40
Order code	928070119230
Numerator - Quantity Per Pack	1

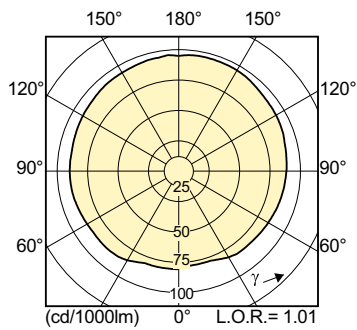
Numerator - Packs per outer box	12
Material number (12NC)	928070119230
Full product name	MASTERCLOUR CDM-T MW eco 230W/842 E40
EAN/UPC - Case	8718696596821

Dimensional drawing

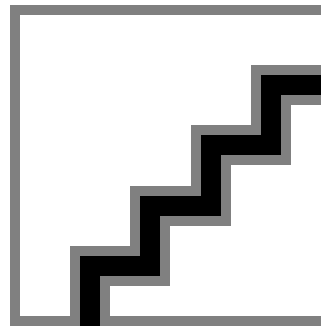


Product	D (max)	O	L	C (max)
MASTERCLOUR CDM-T MW eco 230W/842 E40	47 mm	12.4 mm	157 mm	257 mm

Photometric data



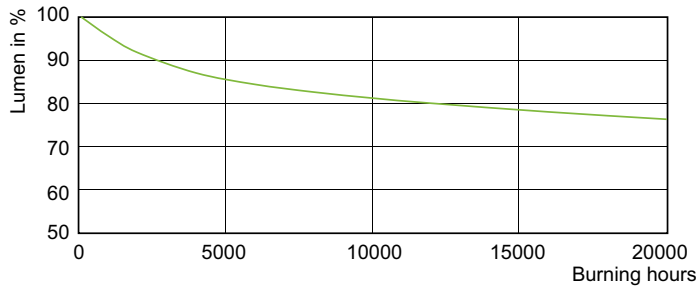
Light Distribution Diagram - MASTERCLOUR CDM-T MW eco 230W/842 E40



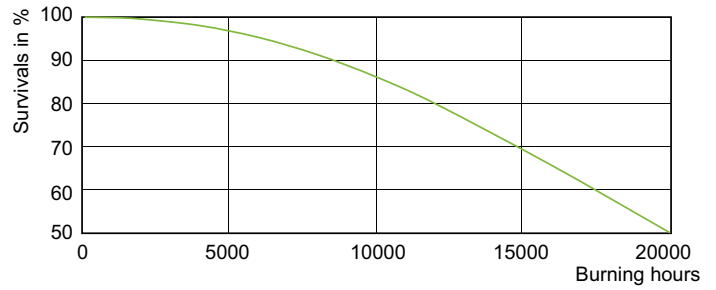
Spectral Power Distribution Colour - MASTERCLOUR CDM-T MW eco 230W/842 E40

MASTERColour CDM MW Eco

Lifetime



Lumen Maintenance Diagram - MASTERColour CDM-T MW eco 230W/842 E40



Life Expectancy Diagram - MASTERColour CDM-T MW eco 230W/842 E40

