

Use

Connected switch without neutral with dimmer option, configured by default as ON/OFF.
 Can be combined with one or more wireless lighting controls (dimmer mode can be activated from the Home + Control app).
 For local or remote control of your lighting.
 Supplied with an active power compensator (Cat. No. 0 401 49), mandatory to ensure optimum operation with commercially-available lamps. One compensator per lighting circuit is sufficient.
 Easy to install in place of a standard switch in a box 40 mm deep (minimum).
 Claw and/or screw fixing.

Technical characteristics

- Mechanical characteristics
 Protection against impacts: IK 04
 Protection against solid bodies/liquids: IP 20 without plate and rockerplate

- Material characteristics
 Mechanism casing: PC
 Halogen-free
 UV resistant

Self-extinguishing: + 850°C/30 s for insulating parts holding live parts in place.
 + 650°C/30 s for the other insulating components.

- Electrical characteristics
 Voltage: 100/240 V~
 Power: 300 W
 Frequency: 50/60 Hz
 Standby consumption: < 0.2 mW

Range

Designation	Cat. Nos.
For use in conjunction with the starter pack.	
Connected switch without neutral with dimmer option.	<input type="checkbox"/> RW4411CM2
With LED indicator (configuration) and RESET button	<input type="checkbox"/> RA4411CM2
(hidden) used to return to factory settings.	<input type="checkbox"/> RG4411CM2

Colours code:

- White
- Aluminum
- Black

Connection

Terminal type: screw
 Terminal capacity: 2 x 1.5 mm² or 2 x 2.5 mm²
 Stripping length: 7 mm
 Screwdriver: 3 mm flat

		R	L			
			LED			
240 V~	Max.	300 W	(*) 60 W	60 W	300 VA	300 VA
	Min.	7 W	5 W	9 W	10 VA	35 VA
100 V~	Max.	150 W	(*) 30 W	30 W	150 VA	150 VA
	Min.	7 W	5 W	9 W	10 VA	35 VA

(*) Or 10 lamps max. For comfortable lighting, we recommend using bulbs of the same type and make.

(**) The ferromagnetic transformers must be charged to more than 60% of their power. When calculating the permissible power, the ferromagnetic transformer efficiency must be taken into account. A load must be connected before programming and using the product.

Zigbee technology 2.4 GHz to 2.4835 GHz
 Power level: < 100 mW
 Range: 200 m of unobstructed space
 10 m between products indoors

Standards and approvals

Compliant with installation and manufacturing standards.
 See e-catalogue.

The undersigned, BTICINO, declares that the radio-electric equipment type (RW-RA-RG4411CM2) complies with directive 2014/53/EU.

The full text of the EU declaration of conformity is available on the following website:
www.bticino.it/red

Cleaning

Clean the surface with a cloth.
 Do not use acetone, tar-removing cleaning agents or trichloroethylene.

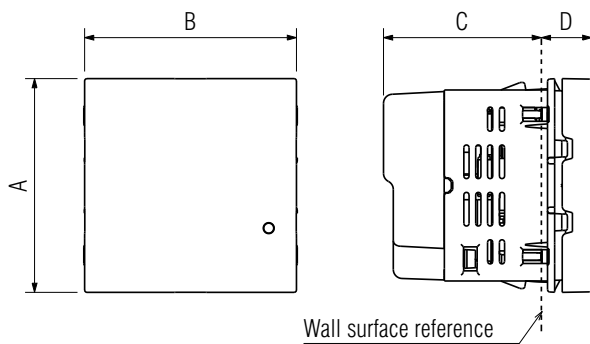
Caution: Always test before using special cleaning products.

The plates must not be painted.



RAEE/WEEE: bticino.com/disposal

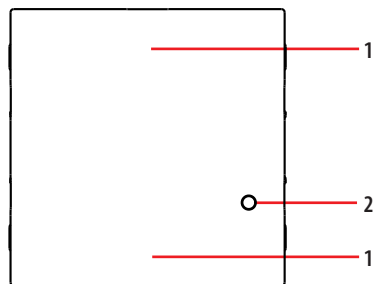
Overall dimensions (mm)



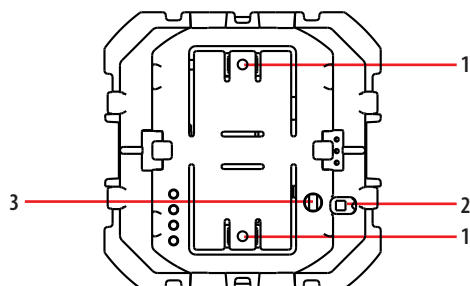
A	B	C	D
45,1	45	33,3	10,6

Operation

Front view



Front view without coverkey



Legend

- 1. Control Pushbutton
- 2. LED indicator: useful during installation
- 3. RESET pushbutton: used to return to factory settings