

High-function General-purpose Inverters

RX2 Series

Save energy and maximize performance with versatile inverter

- Triple rating: Normal Duty (ND), Low Duty (LD), and Very Low Duty (VLD)
- PM motor control helps save energy
- Safety function IEC 61800-5-2 "Safe Torque Off (STO)"
Conforms to machinery directive with ISO13849-1 (Category 4/PLe)
- DriveProgramming allows simple sequence control without a PLC
- EtherCAT communication using an optional communication unit provides high-speed communication for running and stopping, monitoring operating status, and changing various settings



Performance Specifications

Inverter 3G3RX2

3-phase 200-V Class

Very Low Duty (VLD)/Low Duty (LD)/Normal Duty (ND)

3G3RX2-A2□□□□□□		A2004	A2007	A2015	A2022	A2037	A2055	A2075	A2110	A2150	A2185	A2220	A2300	A2370	A2450	A2550	
Applicable motor (4-pole) capacity (kW)	VLD	0.75	1.5	2.2	3.7	5.5	7.5	11	15	18.5	22	30	37	45	55	75	
	LD	0.75	1.5	2.2	3.7	5.5	7.5	11	15	18.5	22	30	37	45	55	75	
	ND	0.4	0.75	1.5	2.2	3.7	5.5	7.5	11	15	18.5	22	30	37	45	55	
Rated output current (A)	VLD	4.4	8.0	10.4	15.6	22.8	33.0	46.0	60.0	80.0	93.0	124	153	185	229	295	
	LD	3.7	6.3	9.4	12.0	19.6	30.0	40.0	56.0	73.0	85.0	113	140	169	210	270	
	ND	3.2	5.0	8.0	11.0	17.5	25.0	32.0	46.0	64.0	76.0	95.0	122	146	182	220	
Overload current rating	VLD	110% 60 sec / 120% 3 sec															
	LD	120% 60 sec / 150% 3 sec															
	ND	150% 60 sec / 200% 3 sec															
Output	Rated output voltage	3-phase (3-wire) 200 to 240 V (depending on receiving voltage)															
Rated capacity (kVA)	200 V	VLD	1.5	2.8	3.6	5.4	7.9	11.4	15.9	20.8	27.7	32.2	43.0	53.0	64.1	79.3	102.2
		LD	1.3	2.2	3.3	4.2	6.8	10.4	13.9	19.4	25.3	29.4	39.1	48.5	58.5	72.7	93.5
		ND	1.1	1.7	2.8	3.8	6.1	8.7	11.1	15.9	22.2	26.3	32.9	42.3	50.6	63.0	76.2
	240 V	VLD	1.8	3.3	4.3	6.5	9.5	13.7	19.1	24.9	33.3	38.7	51.5	63.6	76.9	95.2	122.6
		LD	1.5	2.6	3.9	5.0	8.1	12.5	16.6	23.3	30.3	35.3	47.0	58.2	70.3	87.3	112.2
		ND	1.3	2.1	3.3	4.6	7.3	10.4	13.3	19.1	26.6	31.6	39.5	50.7	60.7	75.7	91.5
Rated input current (A) *1	VLD	5.2	9.5	12.4	18.6	27.1	39.3	54.8	71.4	95.2	110.7	147.6	182.1	220.2	272.6	351.2	
	LD	4.4	7.5	11.2	14.3	23.3	35.7	47.6	66.7	86.9	101.2	134.5	166.7	201.2	250.0	321.4	
	ND	3.8	6.0	9.5	13.1	20.8	29.8	38.1	54.8	76.2	90.5	113.1	145.2	173.8	216.7	261.9	
Input	Rated input AC voltage	Control power supply: Power supply single phase 200 to 240 V/allowable variation range 170 to 264 V, 50 Hz (allowable variation range: 47.5 to 52.5 Hz)/60 Hz (allowable variation range: 57 to 63 Hz) Main circuit power supply: 3-phase (3-wire) 200 to 240 V/allowable variation range 170 to 264 V, 50 Hz (allowable variation range: 47.5 to 52.5 Hz)/60 Hz (allowable variation range: 57 to 63 Hz)															
	Power supply equipment capacity (kVA) *2	VLD	2.0	3.6	4.7	7.1	10.3	15.0	20.9	27.2	36.3	42.2	56.3	69.4	83.9	103.9	133.8
		LD	1.7	2.9	4.3	5.4	8.9	13.6	18.1	25.4	33.1	38.6	51.3	63.5	76.7	95.3	122.5
Carrier frequency operating range *3	VLD	0.5 to 10.0 kHz															
	LD	0.5 to 12.0 kHz															
	ND	0.5 to 16.0 kHz															
Motor start torque *4	200%/0.3 Hz																
Braking	Regenerative braking	Equipped with BRD circuit (with a discharging resistor separately installed)											Regenerative braking unit separately installed				
	Minimum resistance that can be connected (Ω)	50	50	35	35	35	16	10	10	7.5	7.5	5	---	---	---	---	
Dimension	Height (mm)	255	255	255	255	255	260	260	260	390	390	390	540	550	550	700	
	Width (mm)	150	150	150	150	150	210	210	210	245	245	245	300	390	390	480	
	Depth (mm)	140	140	140	140	140	170	170	170	190	190	190	195	250	250	250	
Protective construction	IP20 *5 / UL open type																
Approximate mass (kg)	3		3	3	3	3	6	6	6	10	10	10	22	33	33	47	

High-function General-purpose Inverters RX2 Series

- *1. The rated input currents shown in the table are the values when the rated current is output. The values vary depending on impedance on the power supply (wiring, breaker, input reactor option, etc.)
- *2. The power supply equipment capacities shown in the table are the values when 220 V rated current is output. The values vary depending on impedance on the power supply (wiring, breaker, input reactor option, etc.)
- *3. The setting of rated values for carrier frequencies [bb101]/[bb201] are internally limited in accordance with the description. Also, it is recommended to set values equivalent to or above (maximum output frequency for driving ×10) Hz for the setting of carrier frequencies [bb101]/[bb201]. Also, in the case of induction motor (IM) control, for items other than those subject to V/f control, it is recommended to set carrier frequency at 2 kHz or more. In the case of synchronous motor (SM)/permanent magnet motor (PMM) control, it is recommended to set carrier frequency at 8 kHz or more.
- *4. The value of the sensor-less vector control applied to the ND rating in the Standard motor. Torque characteristics may vary depending on the control method and the motor used.
- *5. Based on self declaration.

3-phase 400-V Class

Very Low Duty (VLD)/Low Duty (LD)/Normal Duty (ND)

3G3RX2-□□□□□□		A4007	A4015	A4022	A4037	A4055	A4075	A4110	A4150	A4185	A4220	A4300	A4370	A4450	A4550	B4750	B4900	B411K	B413K		
Applicable motor (4-pole) capacity (kW)	VLD	1.5	2.2	3.7	5.5	7.5	11	15	18.5	22	30	37	45	55	75	90	110	132	160		
	LD	1.5	2.2	3.7	5.5	7.5	11	15	18.5	22	30	37	45	55	75	90	110	132	160		
	ND	0.75	1.5	2.2	3.7	5.5	7.5	11	15	18.5	22	30	37	45	55	75	90	110	132		
Rated output current (A)	VLD	4.1	5.4	8.3	12.6	17.5	25.0	31.0	40.0	47.0	62.0	77.0	93.0	116	147	176	213	252	316		
	LD	3.1	4.8	6.7	11.1	16.0	22.0	29.0	37.0	43.0	57.0	70.0	85.0	105	135	160	195	230	290		
	ND	2.5	4.0	5.5	9.2	14.8	19.0	25.0	32.0	39.0	48.0	61.0	75.0	91.0	112	150	180	217	260		
Overload current rating	VLD	110% 60 sec / 120% 3 sec																			
	LD	120% 60 sec / 150% 3 sec																			
	ND	150% 60 sec / 200% 3 sec																			
Output	Rated output voltage		3-phase (3-wire) 380 to 500 V (depending on receiving voltage)																		
	Rated capacity (kVA)	400 V	VLD	2.8	3.7	5.8	8.7	12.1	17.3	21.5	27.7	32.6	43.0	53.3	64.4	80.4	101.8	121.9	147.6	174.6	218.9
			LD	2.1	3.3	4.6	7.7	11.1	15.2	20.1	25.6	29.8	39.5	48.5	58.9	72.7	93.5	110.9	135.1	159.3	200.9
ND			1.7	2.8	3.8	6.4	10.3	13.2	17.3	22.2	27.0	33.3	42.3	52.0	63.0	77.6	103.9	124.7	150.3	180.1	
500 V	VLD	3.6	4.7	7.2	10.9	15.2	21.7	26.8	34.6	40.7	53.7	66.7	80.5	100.5	127.3	152.4	184.5	218.2	273.7		
	LD	2.7	4.2	5.8	9.6	13.9	19.1	25.1	32.0	37.2	49.4	60.6	73.6	90.9	116.9	138.6	168.9	199.2	251.1		
	ND	2.2	3.5	4.8	8.0	12.8	16.5	21.7	27.7	33.8	41.6	52.8	65.0	78.8	97.0	129.9	155.9	187.9	225.2		
Input	Rated input current (A) *1		VLD	4.9	6.4	9.9	15.0	20.8	29.8	36.9	47.6	56.0	73.8	91.7	110.7	138.1	175.0	209.5	253.6	300.0	376.2
	LD		3.7	5.7	8.0	13.2	19.0	26.2	34.5	44.0	51.2	67.9	83.3	101.2	125.0	160.7	190.5	232.1	273.8	345.2	
	ND		3.0	4.8	6.5	11.0	17.6	22.6	29.8	38.1	46.4	57.1	72.6	89.3	108.3	133.3	178.6	214.3	258.3	309.5	
Rated input AC voltage		Control power supply: Power supply single phase 380 to 500 V (allowable variation range 323 to 550 V), 50 Hz (allowable variation range: 47.5 to 52.5 Hz)/60 Hz (allowable variation range: 57 to 63 Hz) Main circuit power supply: 3-phase (3-wire) 380 to 500 V (allowable variation range) 323 to 550 V, 50 Hz (allowable variation range: 47.5 to 52.5 Hz)/60 Hz (allowable variation range: 57 to 63 Hz)																			
Power supply equipment capacity (kVA) *2		VLD	3.7	4.9	7.5	11.4	15.9	22.7	28.1	36.3	42.6	56.3	69.9	84.4	105.2	133.4	159.7	193.2	228.6	286.7	
LD		2.8	4.4	6.1	10.1	14.5	20.0	26.3	33.6	39.0	51.7	63.5	77.1	95.3	122.5	145.2	176.9	208.7	263.1		
ND		2.3	3.6	5.0	8.3	13.4	17.2	22.7	29.0	35.4	43.5	55.3	68.0	82.6	101.6	136.1	163.3	196.9	235.9		
Carrier frequency range *3		VLD	0.5 to 10.0 kHz													0.5 to 8.0 kHz					
LD		0.5 to 12.0 kHz													0.5 to 8.0 kHz						
ND		0.5 to 16.0 kHz													0.5 to 10.0 kHz						
Motor start torque *4		200%/0.3 Hz													180%/0.3 Hz						
Braking	Regenerative braking	Equipped with braking resistance circuit (with a discharging resistor separately installed)												Regenerative braking unit separately installed							
	Minimum resistance that can be connected (Ω)	100	100	100	70	70	35	35	24	24	20	15	15	10	10	---	---	---	---		
Dimension	Height (mm)	255	255	255	255	260	260	260	390	390	390	540	550	550	550	700	700	740	740		
	Width (mm)	150	150	150	150	210	210	210	245	245	245	300	390	390	390	390	390	480	480		
	Depth (mm)	140	140	140	140	170	170	170	190	190	190	195	250	250	250	270	270	270	270		
Protective construction		IP20 *5 / UL open type													IP00 / UL open type						
Approximate mass (kg)		3	3	3	3	6	6	6	8.5	8.5	8.5	22	31	31	31	41	41	53	53		

- *1. The rated input currents shown in the table are the values when the rated current is output. The values vary depending on impedance on the power supply (wiring, breaker, input reactor option, etc.)
- *2. The power supply equipment capacities shown in the table are the values when 220 V rated current is output. The values vary depending on impedance on the power supply (wiring, breaker, input reactor option, etc.)
- *3. The setting of rated values for carrier frequencies [bb101]/[bb201] are internally limited in accordance with the description. Also, it is recommended to set values equivalent to or above (maximum output frequency for driving ×10) Hz for the setting of carrier frequencies [bb101]/[bb201]. Also, in the case of induction motor (IM) control, for items other than those subject to V/f control, it is recommended to set carrier frequency at 2 kHz or more. In the case of synchronous motor (SM)/permanent magnet motor (PMM) control, it is recommended to set carrier frequency at 8 kHz or more.
- *4. The value of the sensor-less vector control applied to the ND rating in the Standard motor. Torque characteristics may vary depending on the control method and the motor used.
- *5. Based on self declaration.

High-function General-purpose Inverters RX2 Series

Function Specifications

Inverter 3G3RX2

Item		Specifications		
Control mode (output to the motor)		Sine wave PWM control voltage output (line sine wave modulation)		
Output frequency range *1		0.00 to 590.00 Hz		
Frequency accuracy		Digital command $\pm 0.01\%$ and analog command $\pm 0.2\%$ ($25^{\circ}\text{C} \pm 10^{\circ}\text{C}$) against the maximum frequency		
Frequency resolution		Digital setting: 0.01 Hz Analog setting: maximum frequency/4000 (Ai1 terminal/Ai2 terminal: 12 bit/0 to +10 V or 0 to +20 mA, Ai3 terminal 12 bit/-10 to +10 V)		
Control mode (frequency/voltage calculation) *2		IM	V/f control (fixed torque/reduced torque/free), automatic boost control, cascade model sensorless vector control, 0 Hz range sensorless vector control, vector control with sensor.	
		SM/PMM	Synchronous starting sensorless vector control, IVMS starting smart sensorless vector control	
Speed fluctuation *3		$\pm 0.5\%$ (during sensorless vector control)		
Acceleration or deceleration time		0.00 to 3600.00 sec (linear, S-shaped, U-shaped, reverse U-shaped, EL-S shaped)		
Display monitor		Output frequency, output current, output torque, trip history, I/O terminal status, I/O power *4, P-N voltage.		
Starting functions		Start after DC braking, frequency collection start, frequency entrainment start, reduced voltage start, retry start		
Stopping functions		Free-run stop, DC braking after deceleration stop or terminal DC braking (braking power, operating speed adjustment)		
Stall prevention function		Overload restraining function, overcurrent suppression function, overvoltage suppression function		
Protective function *5		Overcurrent error, Motor overload error, Braking resistor Overload error, Overvoltage error, Memory error, Undervoltage error, Current detector error, CPU error, External trip error, USP error, Ground fault error, Incoming over voltage error, Instantaneous power failure error, Temperature detector error, Cooling fan rotation speed reduction temperature error, Temperature error, Input open-phase error, IGBT error, Output open-phase error, Thermistor error, Brake error, Low-speed range overload error, Controller overload error, RS485 communication error, Operator keypad disconnection error.		
Other functions		V/f free settings (7 points), Upper/lower limit frequency limiter, Frequency jump, Curve acceleration/deceleration, Manual torque boost, Energy-saving operation, Analog output adjustment function, Minimum frequency, Carrier frequency adjustment, Motor electronic thermal function (free setting is also possible), Inverter electronic thermal function, External start/end (volume/ratio), Frequency input selection, Trip retry, Restart after instantaneous stop, Output of signals, Initialization settings, PID control, Automatic deceleration at power shut-off, Brake control function, and Auto-tuning for commercial switching function (online/offline).		
Input	Frequency setting	Standard operator keypad	Parameter setting using arrow keys	
		External signals *6	Ai1/Ai2 terminal (when changing voltage)	Setting through input of 0 to 10 VDC voltage (input impedance: 10 k Ω)
			Ai1/Ai2 terminal (when changing current)	Setting through input of 0 to 20 mA current (input impedance: 100 Ω)
			Ai3 terminal	Setting through input of -10 to +10 V voltage (input impedance: 10 k Ω)
			Multistage speed terminal (use of input terminal function)	15 speed
			Pulse string input (A/B terminal, use of input terminal function)	32 kHz \times 2 at maximum
	External port	Setting via RS485 serial communication (protocol: Modbus-RTU)		
	Normal rotation/reverse rotation Run/stop	Standard operator keypad	Execution with the RUN /STOP key (normal rotation/reverse rotation can be switched by setting parameters)	
		External signals	Normal rotation operation (FW)/reverse rotation (RV) (when an input terminal function is assigned) 3-wire input available (when an input terminal function is assigned)	
		External port	Setting via RS485 serial communication (protocol: Modbus-RTU (maximum: 115.2 kbps)	
	Input terminal function	11 terminals (input of pulse string is available on terminal A and B)	FW (Normal rotation)/RV (Reverse rotation), CF1-4 (Multistage speed 1-4), SF1-7 (Multistage speed bit 1-7), ADD (Addition of frequency), SCHG (Switching of frequency command), STA (3-wire start)/STP (3-wire stop)/F_R (3-wire normal/reverse), AHD (Retention of analog command), FUP (Increase of speed via remote operation/FDN (Deceleration via remote operation), UDC (Deletion of data via remote operation), F-OP (Forced command switching), SET (Second control), RS (Reset), JG (Jogging), DB (External current braking), 2CH (2-stage acceleration/deceleration), FRS (Free-run stop), EXT (External abnormality), USP (Prevention of restart after restoration of power), CS (Commercial switching), SFT (Soft-lock), BOK (Brake check), OLR (Overload restriction switching), KHC (Clearance of integrated input power), OKHC (Clearance of integrated output power), PID (PID1 disabled), PIDC (PID1 integration reset), PID2 (PID2 disabled), PIDC2 (PID2 integration reset), SVC1-4 (PID1 multistage target values 1-4), PRO (PID gain switching), PIO (PID output switching), SLEEP (SLEEP condition satisfied)/WAKE (WAKE condition satisfied), TL (Torque restriction enabled), TRQ1, 2 (Switching of torque limit 1, 2), PPI (Switching of P/PI control), CAS (Switching of control gain), FOC (Preparatory excitation), ATR (Torque control enabled), TBS (Torque bias enabled), LAC (Cancellation of acceleration/deceleration), Mi1-11 (General-purpose input 1-11), PCC (Clearance of pulse counter), ECOM (Start of EzCOM), PRG (Program run), HLD (Acceleration/ deceleration stop), REN (Operation permission signal), PLA (Pulse string input A), and PLB (Pulse string input B)	
	Backup power supply terminal	P+/P-: DC24V input (allowable input voltage: 24 V \pm 10%)		
STO input terminal	2 terminals (simultaneous input)			
Thermistor input terminal	1 terminal (possible to switch between positive temperature coefficient/negative temperature coefficient resistance element)			

High-function General-purpose Inverters RX2 Series

Item		Specifications	
Output	Output terminal function	Transistor output 5 terminal, 1a contact relay 1 point, 1c contact relay 1 point	
	Relay and alarm relay (16, AL)	RUN (During operation), FA1-5 (Reached signal), IRDY (Operation ready completion), FWR (During normal rotation operation), RVR (During reverse rotation operation), FREF (Frequency command operator keypad), REF (Operation command operator keypad), SETM (Second control under selection), AL (Alarm signal), MJA (Severe failure signal), OTQ (Over torque) *7, IP (During instantaneous power failure), UV (Under insufficient voltage), TRQ (During torque limitation), IPS (During power failure deceleration), RNT (RUN time over), ONT (Power on time over), THM (Electronic thermal warning), THC (Electronic thermal warning), WAC (Capacitor life advance notice), WAF (Fan life advance notice), FR (Operation command signal), OHF (Cooling fin heating advance notice), LOC/LOC2 (Low-current signal), OL/OL2 (Overload advance notice), BRK (Brake release), BER (Brake abnormality), ZS (Zero-speed detection signal), OD/OD2 (PID deviation excessive), FBV/FBV2 (PID feedback comparison), NDc (Communication disconnection), Ai1Dc/Ai2Dc/Ai3Dc (Analog disconnection Ai1/Ai2/Ai3), WCAi1/WCAi2/WCAi3 (Window comparator Ai1/Ai2/Ai3), LOG1-7 (Logical operation result 1-7), MO1-7 (General output 1-7), and OVS (Receiving overvoltage).	
	EDM output terminal	Output for STO diagnosis	
	Monitor output terminal *8	Possible to output through selection from monitor data of parameters	
EMC filter switching *9		Possible to enable the EMC noise filter (switching method is different depending on the model)	
External access to PC		USB Micro-B	
Use environment	Ambient temperature *10	ND (normal duty)	-10 to 50°C
		LD (low duty)	-10 to 45°C
		VLD (very low duty)	-10 to 40°C
	Storage temperature *11	-20 to 65°C	
	Humidity	20-90%RH (location free of condensation)	
Vibration *12	5.9 m/s ² (0.6 G) 10 to 55 Hz: 3G3RX2-A2004 to A2220 / 3G3RX2-A4007 to A4220 2.94 m/s ² (0.3 G) 10 to 55 Hz: 3G3RX2-A2300 to A2550 / 3G3RX2-A4300 to A413K		
Use location *13	1000 m altitude or lower (location free from corrosive gas, oil mist, and dust)		
Expected Life time	Smoothing capacitor 10 years		
	Designed life of cooling fan 10 years (models equipped with a cooling fan) free from dust		
	Memory element on the control circuit board		
Applicable standards *14	Conformance to UL/cUL standards, EU Directives and UK legislation, RCM, Functional Safety SIL3/PLe, KC		
Painting color	Black		
Operating, display	LCD Operator *15		
Number of option slots	3 ports		
Other options	Braking resistor, AC reactor, DC reactor, noise filter, EtherCAT Communication, PG		

*1. The output frequency range depend on the control and motor used. When running the inverter exceeding 60 Hz, check the maximum allowable frequency with the manufacturer of the motor.

*2. When the control mode is changed, unless the motor constant is appropriately configured, you cannot obtain the desired starting torque or the inverter may trip.

*3. The variable range of motor speed may vary depending on your system or the environment where the motor is used. Please contact us for details.

*4. Both the input power and output power are reference values, which are not appropriate for use in calculation of efficiency values, etc. To obtain an accurate value, use an external device.

*5. The IGBT error [E030] is generated by the protective function not only for short circuit protection but also when IGBT is damaged. Depending on the operating conditions of the inverter, the overcurrent error [E001] may occur, instead of the IGBT error.

*6. At the factory default setting, when voltage and current on Ai1/Ai2 terminal is changed using a switch, with input of voltage at 9.8 V and current at 19.8 mA, the maximum frequency is commanded. To change characteristics, make adjustments using the analog start/end function.

*7. The threshold for signal output varies depending on the motor to be combined with the inverter, parameter adjustment, etc.

*8. The output data of analog voltage monitor and analog current monitor are reference values for connecting an analog meter. Due to the meter to be connected and variation in analog output circuit, the maximum output value may slightly vary from 10 V or 20 mA. To change characteristics, make adjustments using the Ao1 adjustment and Ao2 adjustment functions. Some monitor data cannot be output.

*9. To enable the EMC filter, connect with a power supply grounded at a neutral point. Otherwise, the leakage current may increase.

*10. Use the 400 V class inverter at an input voltage of 500 VAC or below. If input voltage exceeds 500 VAC due to fluctuation of power, use the inverter at 40°C or lower ambient temperature.

*11. The storage temperature is the temperature during transport.

*12. To be in accordance with the testing method specified in JIS C 60068-2-6: 2010 (IEC 60068-2-6:2007)

*13. When the inverter is used in a location at 1000 m or higher altitude, air pressure reduces approximately 1% every 100 m elevation. Perform 1% current derating and conduct evaluation for every 100 m elevation.

*14. For insulation distance, comply with UL and CE standards

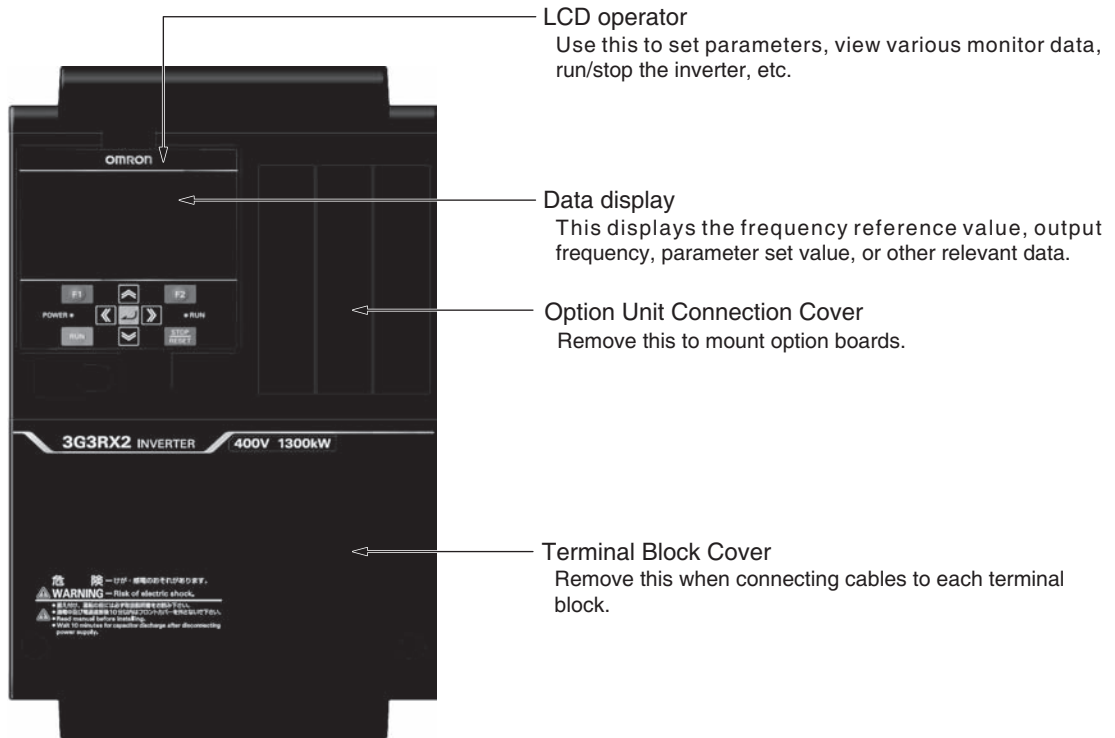
*15. When a clock function is used, the optional battery (CR2032, 3 V) is required. When you purchase, this LCD operator does not come with the battery.

High-function General-purpose Inverters RX2 Series

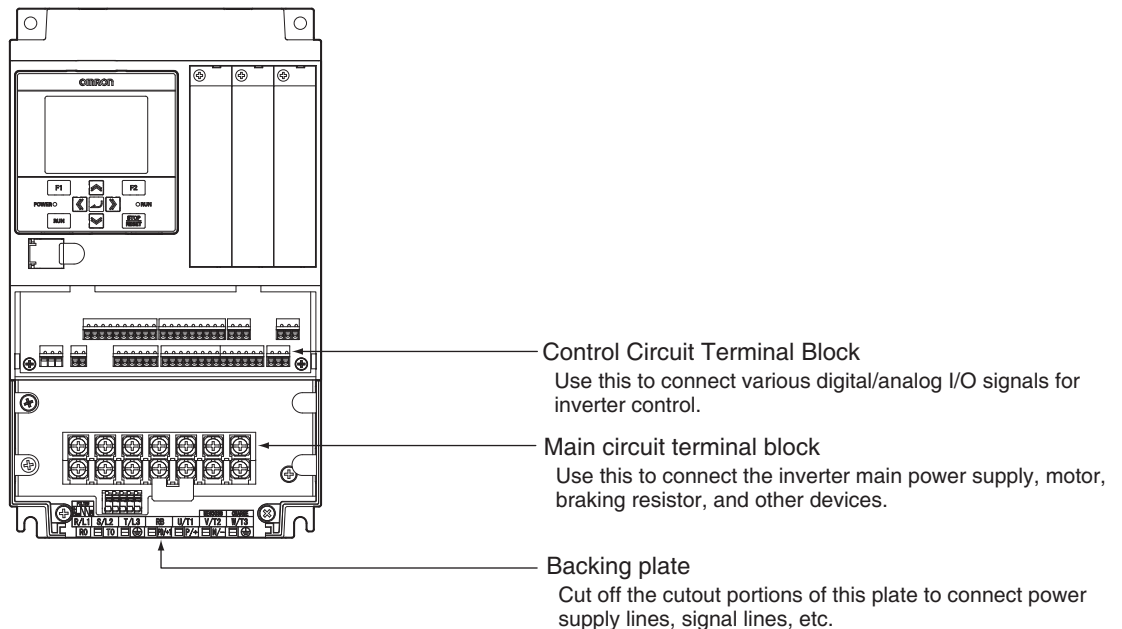
Components and Functions

Note: Example of the 3G3RX2-A2055/A2075/A2110/A4055/A4075/A4110

Inverter 3G3RX2



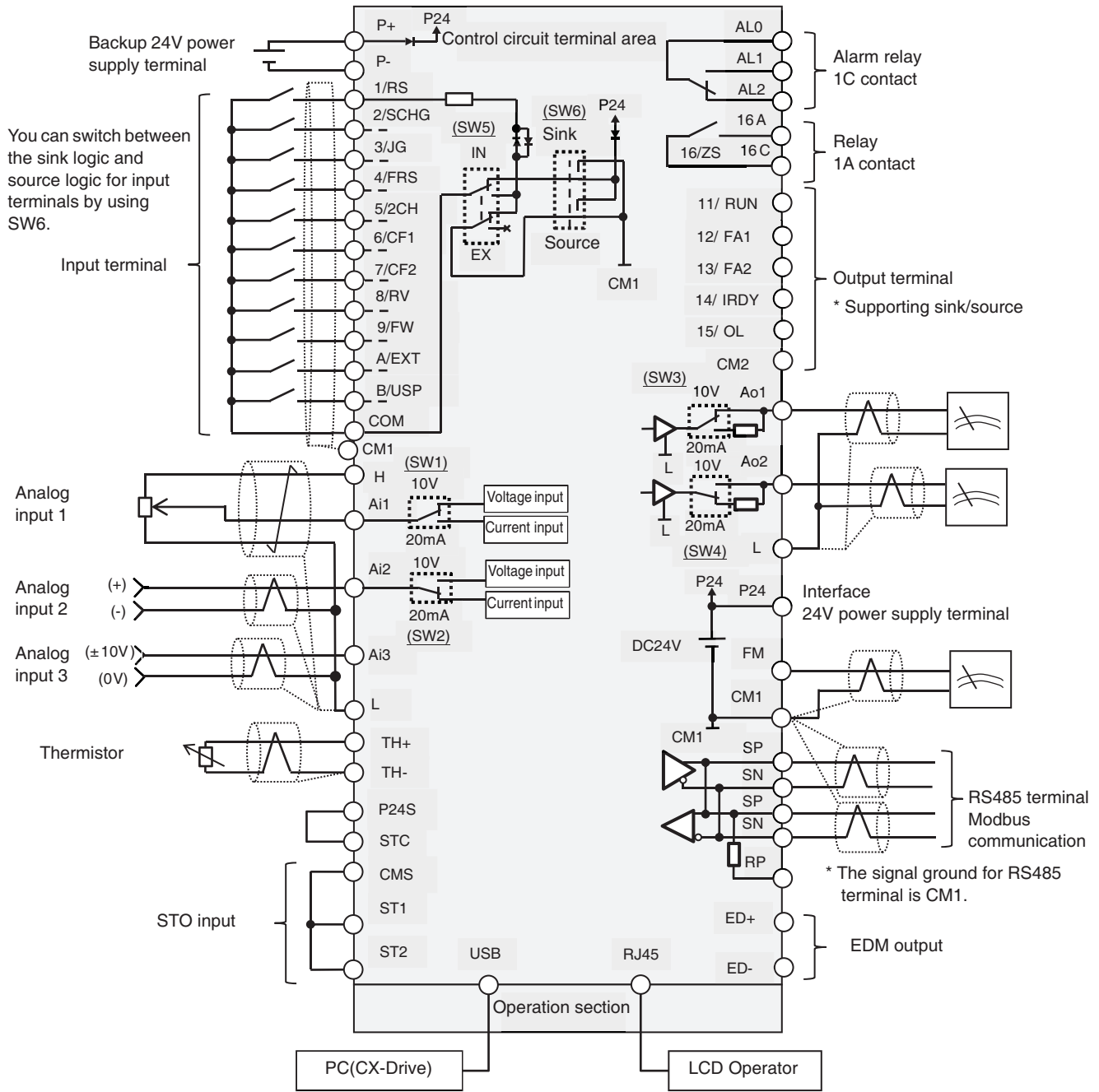
Open the terminal block cover to wire the main circuit terminal block and the control circuit terminal block. Moreover, you can open the Option Unit Connection Cover to mount option boards.



High-function General-purpose Inverters RX2 Series

Connection Diagram

Outline of control circuit



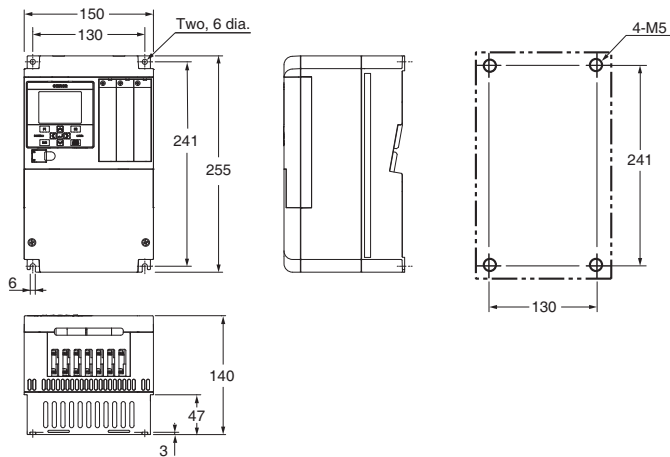
High-function General-purpose Inverters RX2 Series

Dimensions

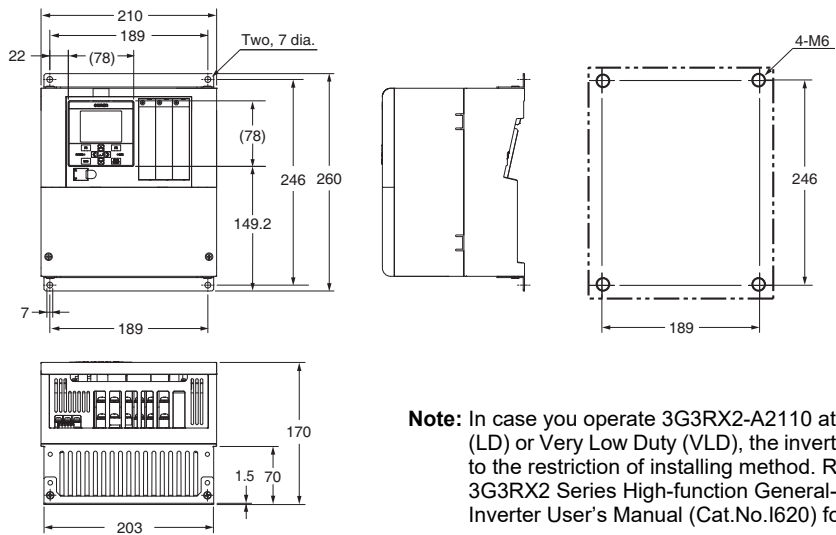
(unit: mm)

Inverter 3G3RX2

- 3G3RX2-A2004
- 3G3RX2-A2007
- 3G3RX2-A2015
- 3G3RX2-A2022
- 3G3RX2-A2037
- 3G3RX2-A4007
- 3G3RX2-A4015
- 3G3RX2-A4022
- 3G3RX2-A4037

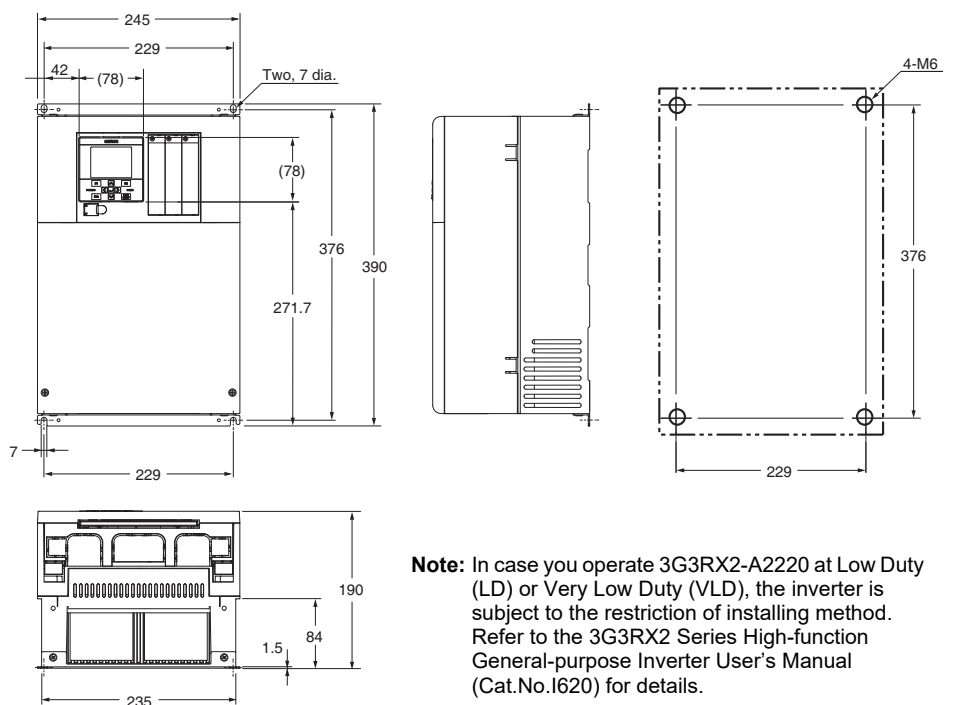


- 3G3RX2-A2055
- 3G3RX2-A2075
- 3G3RX2-A2110
- 3G3RX2-A4055
- 3G3RX2-A4075
- 3G3RX2-A4110



Note: In case you operate 3G3RX2-A2110 at Low Duty (LD) or Very Low Duty (VLD), the inverter is subject to the restriction of installing method. Refer to the 3G3RX2 Series High-function General-purpose Inverter User's Manual (Cat.No.1620) for details.

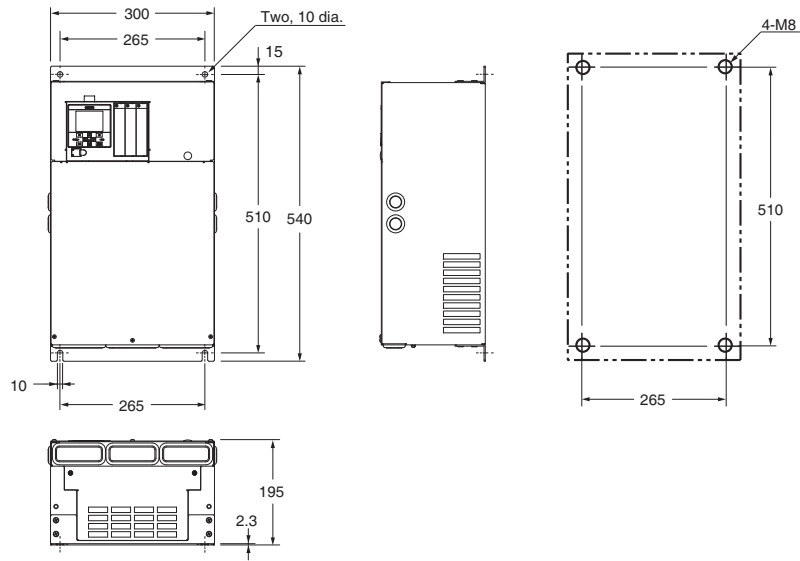
- 3G3RX2-A2150
- 3G3RX2-A2185
- 3G3RX2-A2220
- 3G3RX2-A4150
- 3G3RX2-A4185
- 3G3RX2-A4220



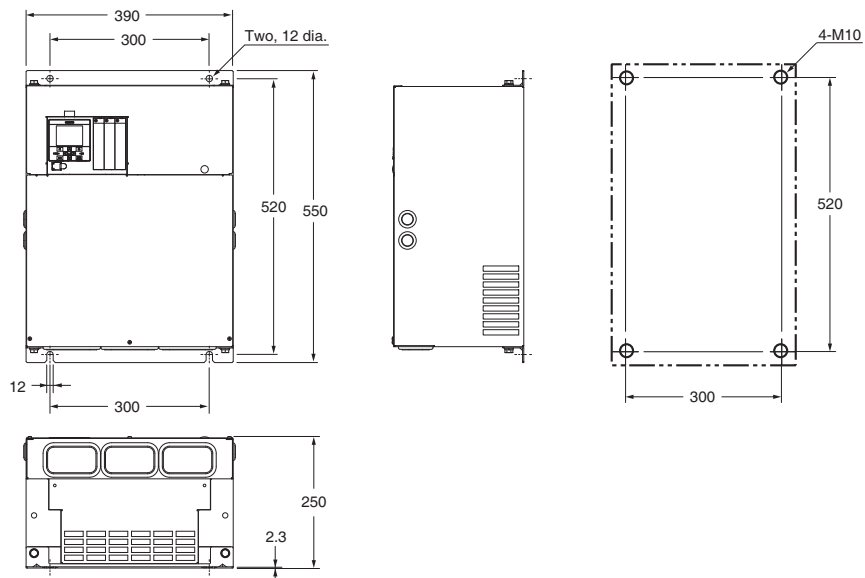
Note: In case you operate 3G3RX2-A2220 at Low Duty (LD) or Very Low Duty (VLD), the inverter is subject to the restriction of installing method. Refer to the 3G3RX2 Series High-function General-purpose Inverter User's Manual (Cat.No.1620) for details.

High-function General-purpose Inverters RX2 Series

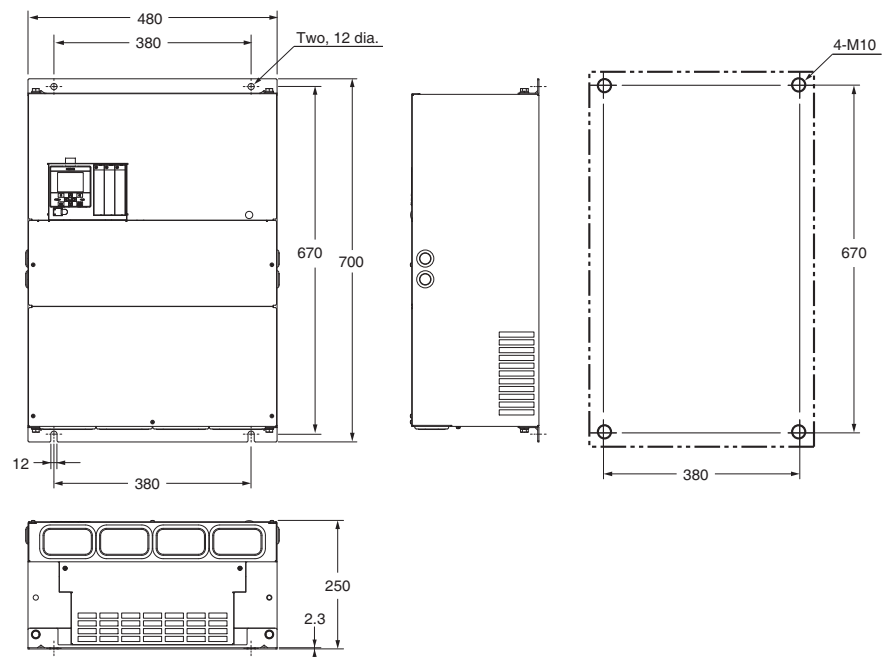
3G3RX2-A2300
3G3RX2-A4300



3G3RX2-A2370
3G3RX2-A2450
3G3RX2-A4370
3G3RX2-A4450
3G3RX2-A4550

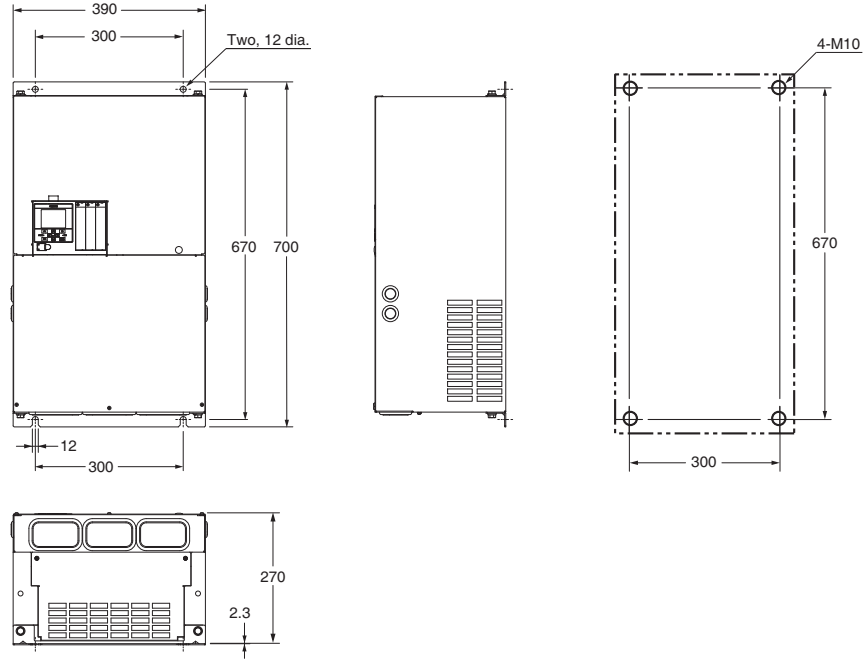


3G3RX2-A2550

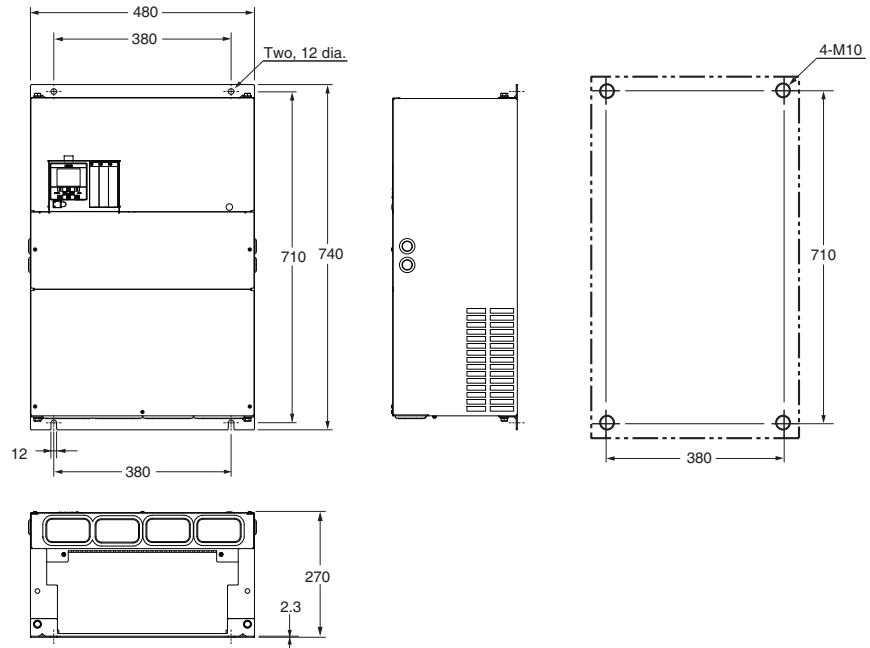


High-function General-purpose Inverters RX2 Series

3G3RX2-B4750
3G3RX2-B4900



3G3RX2-B411K
3G3RX2-B413K



High-function General-purpose Inverters RX2 Series

Communication Unit

The EtherCAT Communication Unit is an interface unit. When installed to an RX2 series high-function general-purpose inverter, it provides support for 100-Mbps EtherCAT.

Common Specifications

Item	Specifications
Model	3G3AX-RX2-ECT
Power supply	Supplied from the inverter
Protective structure	Open type (IP20)
Ambient operating temperature	-10 to 50°C
Ambient storage temperature	-20 to 65°C
Ambient operating humidity	20% to 90% (with no condensation)
Vibration *1	5.9 m/s ² (0.6 G), 10 to 55 Hz
Application environment	Indoors (There should be no corrosive gas, oil mist, or metal dust.)
Weight	100 g max. (Shipping weight: approx. 200 g)
Applicable standards	Conformance to EU Directives and UK legislation, UL/cUL, CSA, KC, RCM

*1. When using the EtherCAT Communication Unit with the inverters listed below, install the unit where it is not subjected to vibration or shock. Vibration or shock can cause communication errors or malfunctions.
Applicable models: 3G3RX2-A2300 to A2550, 3G3RX2-A4300 to B413K

EtherCAT Communications Specifications

Item	Specifications
Communications standard	IEC 61158 Type12, IEC 61800-7 CiA 402 drive profile
Physical layer	100BASE-TX (IEEE802.3)
Connector	RJ45 × 2 (shielded type)
	ECAT IN: EtherCAT input
	ECAT OUT: EtherCAT output
Communications media	Category 5 or higher (cable with double, aluminum tape and braided shielding) is recommended.
Communications distance	Distance between nodes: 100 m max.
Process data	Fixed PDO mapping
	User PDO mapping
Mailbox (CoE)	Emergency messages, SDO requests, and SDO responses
Synchronization mode	FreeRun mode *1
LED display	L/A IN (Link/Activity IN) × 1
	L/A OUT (Link/Activity OUT) × 1
	RUN × 1
	ERR × 1
CiA402 drive profile	Velocity mode

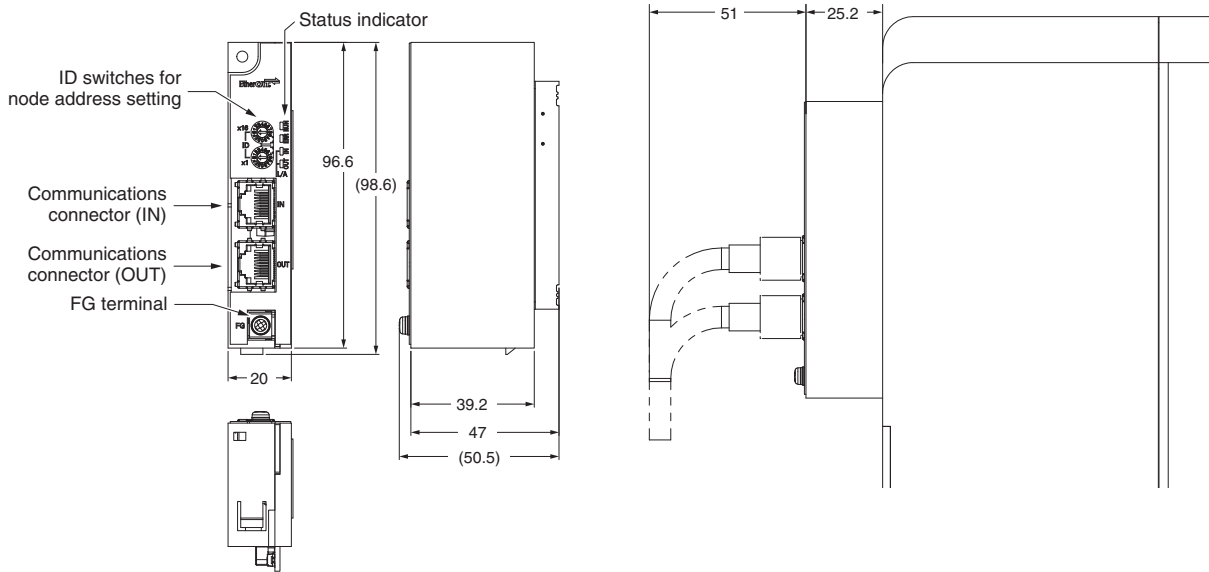
*1. In FreeRun mode, slaves perform I/O processing, i.e., refresh I/O data asynchronously with the communications cycle of the master. The communications cycle is determined by the cycle time of the master. For the communications response time of the EtherCAT Communication Unit, refer to the *EtherCAT Communication Unit User's Manual* (Cat.No. I663) for details.
Note that FreeRun mode in the synchronization mode has a different meaning from free-run stop of an Inverter.

Version Information

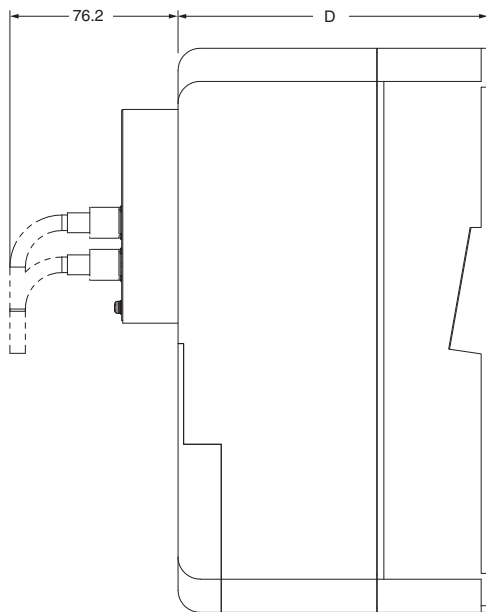
The following table gives the relationship between unit versions of EtherCAT Communication Unit and the corresponding Sysmac Studio versions.

EtherCAT Communication Unit version	Sysmac Studio
Ver. 1.0 or later	Ver. 1.47 or higher

Dimensions (mm)



Note: For the overall depth when the EtherCAT Communication Unit is installed with an EtherCAT cable connected, add 76.2 mm to the dimension D of the Inverter. The dimension D differs depending on its capacity of the Inverter. Please refer to the manual for the Inverter.

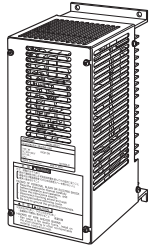


High-function General-purpose Inverters RX2 Series

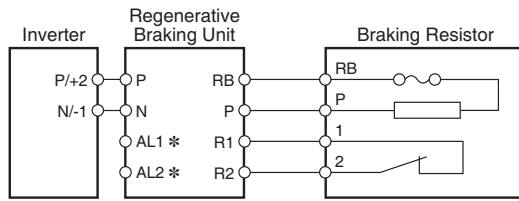
Options

Regenerative Braking Unit 3G3AX-RBU□□

Used with a Braking Resistor when the deceleration time of the motor is needed to be reduced in the 3G3RX2.



Connection Example



* The alarm output terminals for the Regenerative Braking Unit. Provide a circuit to turn off the primary power supply for the Inverter when the temperature relay of the built-in resistor or optional Braking Resistor is activated.

Note: The Braking Resistor (RBA, RBB, RBC) has a built-in thermal fuse. This thermal fuse may blow due to rising temperature after the thermal relay between terminal 1 and terminal 2 issued an alarm. When the fuse blows, replace the resistor and correctly wire the alarm output terminals. If an temperature error is detected, stop the inverter and cool down well before restart.

Specifications

Built-in Resistance Type (3G3AX-RBU21/-RBU22/-RBU41)

Class Model name (3G3AX-)		3-phase 200-V class		3-phase 400-V class
		RBU21	RBU22	RBU41 *1
Connection resistance		17 Ω min.	17 Ω min.	34 Ω min.
Operating voltage ON/OFF		ON: 362.5 ± 5 V, OFF: 355 ± 5 V (-5% or -10% setting available)		ON: 725 ± 5 V, OFF: 710 ± 5 V (-5% or -10% setting available)
Operation indication		LED ON (Lit)		
Parallel interlocking operation function *2		5 units max.		
Built-in resistor	Internal resistance	120 W, 180 Ω	120 W, 20 Ω	120 W, 180 Ω × 2 in series
	Allowable consecutive ON time	10 s max.	0.5 s max.	10 s max.
	Allowable operation cycle	Cycle 1/10 (ON for 10 s, OFF for 90 s)	Cycle 1/80 (ON for 0.5 s, OFF for 40 s)	Cycle 1/10 (ON for 10 s, OFF for 90 s)
	Power consumption	Instantaneous 0.73 kW Short-time rating 120 W	Instantaneous 6.6 kW Short-time rating 120 W	Instantaneous 1.46 kW Short-time rating 240 W
Protective function	Built-in resistor overheat protection	<ul style="list-style-type: none"> Cooling fin temperature Relay operates at approximately 200°C or higher. Recovers at approximately 170°C or lower. Built-in temperature fuse (recovery impossible) *3 Rating of contact 250 V AC 200 mA (R load), 12 V DC 500 mA (R load), 42 V DC 200 mA (R load) Minimum load 1 mA (R load) 		
Operating environment	Ambient temperature	-10 to 50°C		
	Ambient storage temperature	-20 to 65°C		
	Ambient operating humidity	20% to 90% (with no condensation)		
	Vibration	5.9 m/s ² (0.6G) 10 to 55 Hz		
	Location	At a maximum altitude of 1,000 m (without corrosive gases or dust)		
Paint color		Munselle 5Y7/1 (cooling fan: aluminum ground color)		

*1. To use the braking resistor (Model: 3G3AX-RAB/RBB/RBC) for the 400-V class regenerative braking unit, be sure to remove the built-in resistor and connect two resistors of the same model in series. Using a 400-V class regenerative braking unit with only a single braking resistor connected may cause damage to the braking resistor.

*2. Use DIP switches to set the number of connected units.

*3. The built-in resistor has a thermal fuse. If the alarm terminals are not connected, the fuse may blow out in order to prevent the resistor from burning due to overheating. If the fuse blows out, the built-in resistor must be replaced.

Specifications

External resistor type (3G3AX-RBU23/-RBU24/-RBU42/-RBU43)

Class Model name (3G3AX-)		3-phase 200-V class		3-phase 400-V class	
		RBU23	RBU24	RBU42 *1	RBU43 *1
Discharge resistance	Continuous operation	6 Ω min.	4 Ω min.	24 Ω min.	12 Ω min.
	Short-time/ operation	4 Ω min.	2 Ω min.	10 Ω min.	6 Ω min.
	Allowable operation cycle/ Continuous ON time	1/5 2 min	1/5 2 min	1/10 10 s	1/5 2 min
Operating voltage ON/OFF		ON: 362.5 ± 5 V, OFF: 355 ± 5 V (-5% or -10% setting available)		ON: 725 ± 5 V, OFF: 710 ± 5 V (-5% or -10% setting available)	
Operation indication		LED ON (Lit)			
Maximum number of units operating in parallel *2		2 units max.			
Protective functions	Internal power module overheat protection	Built-in relay specifications <ul style="list-style-type: none"> Cooling fin temperature Relay operates at approximately 100°C or higher. Rating of contact 240 V AC 3 A (R load), 36 V DC 2 A (R load) Minimum load 5 V DC 50 mA (R load) 			
Operating environment	Ambient temperature	-10 to 50°C			
	Ambient storage temperature	-20 to 65°C			
	Ambient operating humidity	20% to 90% (with no condensation)			
	Vibration	4.9 m/s ² (0.5G) 10 to 55 Hz			
	Location	At a maximum altitude of 1,000 m (without corrosive gases or dust)			
Paint color		Munselle 5Y7/1 (cooling fan: aluminum ground color)			

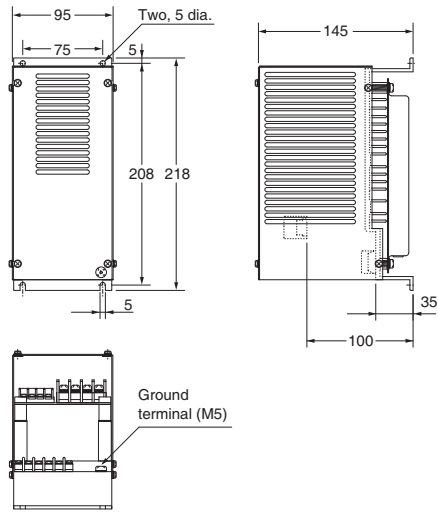
*1. To use the braking resistor (3G3AX-RAB/RBB/RBC) for the 400-V class regenerative braking unit, be sure to remove the built-in resistor and connect two resistors of the same model in series. Using a 400-V class regenerative braking unit with only a single braking resistor connected may cause damage to the braking resistor.

*2. Use DIP switches to set the number of connected units.

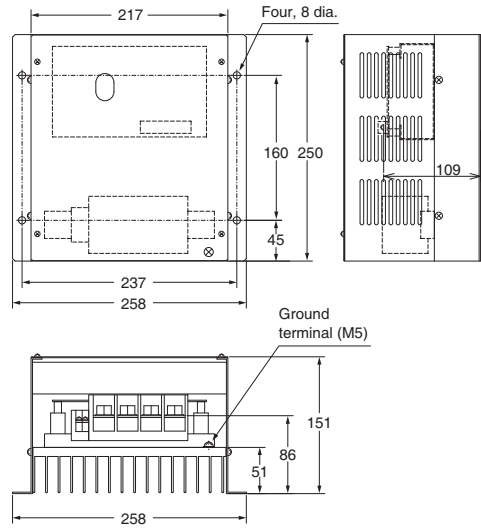
High-function General-purpose Inverters RX2 Series

Dimensions (Unit: mm)

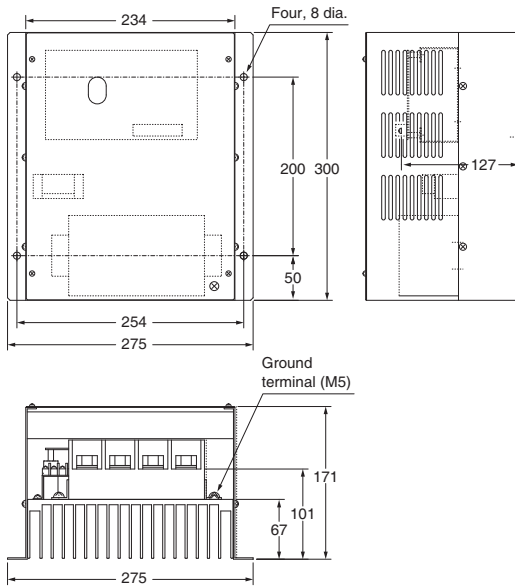
3G3AX-RBU21/-RBU22/-RBU41



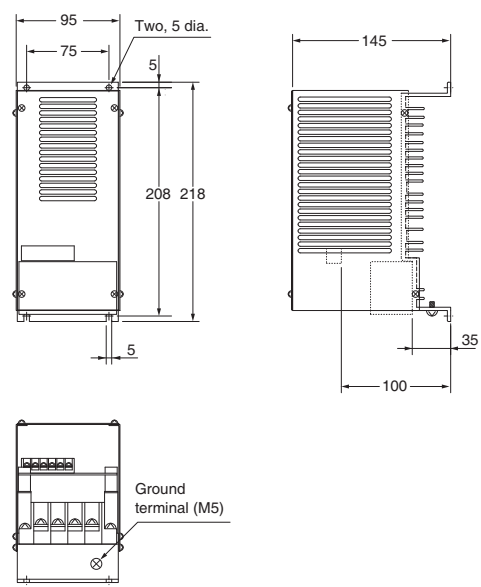
3G3AX-RBU23



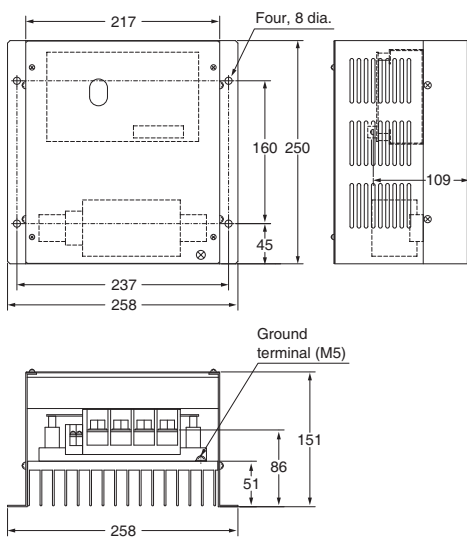
3G3AX-RBU24



3G3AX-RBU42



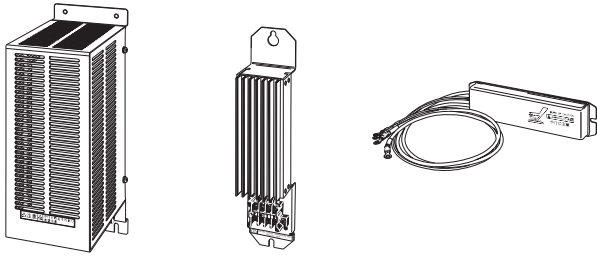
3G3AX-RBU43



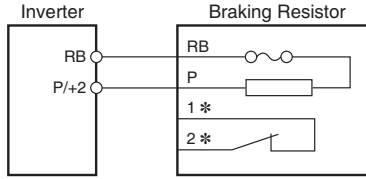
High-function General-purpose Inverters RX2 Series

Braking Resistor 3G3AX-RBA/-RBB/-RBC□□□□

Consumes the regenerative motor energy with a resistor to reduce deceleration time.



Connection Example



* The alarm output terminals for the Braking Resistor. Provide a circuit to turn off the primary power supply for the Inverter when the temperature relay of the Braking Resistor is activated.

Specifications

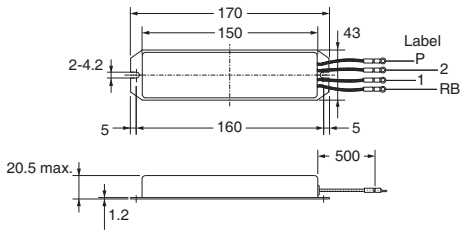
Model		Compact type (3G3AX-RBA□□□□)				Standard type (3G3AX-RBB□□□□)				Medium capacity type (3G3AX-RBC□□□□)		
		1201	1202	1203	1204	2001	2002	3001	4001	4001	6001	12001
Resistance	Capacity	120 W				200 W	300 W	400 W	400 W	600 W	1200 W	
	Resistance (Ω)	180	100	50	35	180	100	50	35	50	35	17
Allowable braking frequency (%)		5	2.5	1.5	1.0	10	7.5	7.5	7.5	10		
Allowable continuous braking time (s)		20	12	5	3	30			20	10		
Weight (kg)		0.27				0.97	1.68	2.85	2.5	3.6	6.5	
Fault detection function		Built-in thermal (Contact capacity: 240 V AC 2 A max.) Minimum current: 5 mA, Normally ON (NC contact) Built-in temperature fuse (recovery impossible) *							Built-in temperature relay, Normally ON (NC contact) Contact capacity: 240 V AC 3 A (R load), 0.2 A (L load), 36 V DC 2 A (R load)			
General specifications	Ambient operating temperature	-10 to 50°C										
	Ambient storage temperature	-20 to 65°C										
	Ambient operating humidity	20% to 90% (RH) with no condensation										
	Vibration	5.9 m/s (0.6 G) 10 to 55 Hz Complies with JISC0911										
	Location	At a maximum altitude of 1,000 m (without corrosive gases or dust)										
	Cooling method	Self-cooling										

* Built-in resistors are equipped with thermal fuses. If the alarm is not connected, the fuse may blow to prevent burnout due to overheating. If the fuse blows, the built-in resistor will need to be replaced.

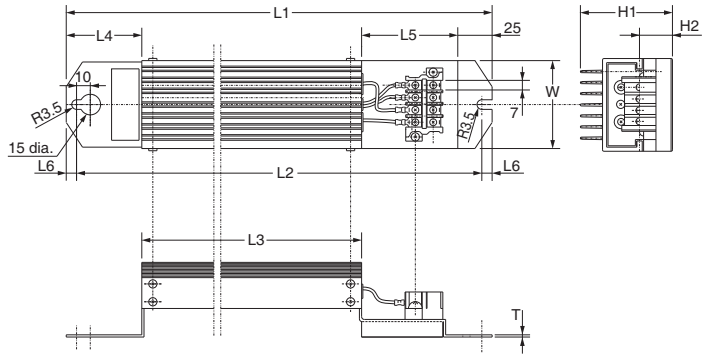
High-function General-purpose Inverters RX2 Series

Dimensions (Unit: mm)

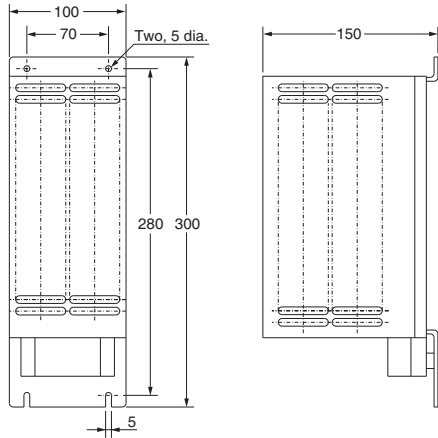
3G3AX-RBA



3G3AX-RBB



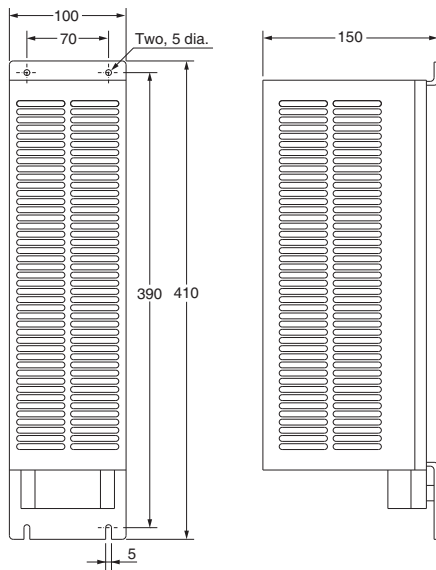
3G3AX-RBC4001



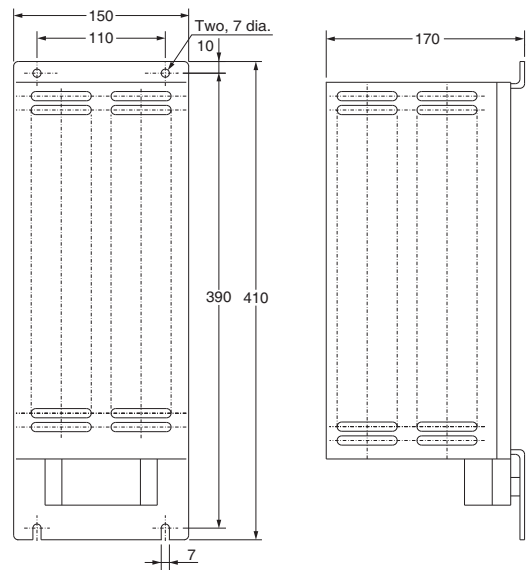
Model	Dimensions (mm)					
	L1	L2	L3	L4	L5	L6
3G3AX-RBB2001	310	295	160	55	70	7.5
3G3AX-RBB2002	310	295	160	55	70	7.5
3G3AX-RBB3001	470	455	320	55	70	7.5
3G3AX-RBB4001	435	422	300	50	60	6.5

Model	Dimensions (mm)				Weight [kg]	Terminal screws
	H1	H2	W	T		
3G3AX-RBB2001	67	12	64	1.6	0.97	M3.5
3G3AX-RBB2002	67	12	64	1.6	0.97	
3G3AX-RBB3001	67	12	64	1.6	1.68	
3G3AX-RBB4001	94	15	76	2	2.85	

3G3AX-RBC6001



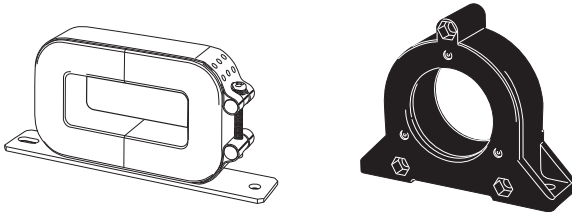
3G3AX-RBC12001



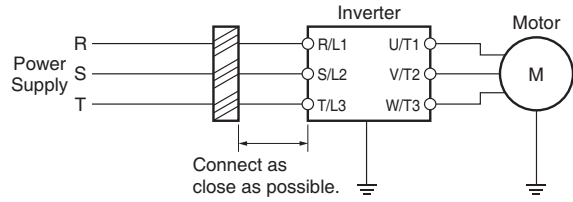
High-function General-purpose Inverters RX2 Series

Radio Noise Filter 3G3AX-ZCL□

Connected to the inverter input/output cables to reduce noise coming into the inverter from the power supply line and noise flowing from the inverter into the power supply line.



Connection Example



- Note 1: Wind each of three phase wires in the same direction.
- 2: Can be used on both the input and output sides of the Inverter.

Specifications 3G3AX-ZCL1

Applicable Inverter capacity (kW)	200 V class				400 V class			
	Input		output		Input		output	
	Quantity	No. of turns	Quantity	No. of turns	Quantity	No. of turns	Quantity	No. of turns
0.2	1	4	1	4	1	4	1	4
0.4	1	4	1	4	1	4	1	4
0.75	1	4	1	4	1	4	1	4
1.5	1	4	1	4	1	4	1	4
2.2	1	4	1	4	1	4	1	4
3.0	1	4	1	4	1	4	1	4
3.7	1	4	1	4	1	4	1	4
4.0	1	4	1	4	1	4	1	4
5.5	1	4	1	4	1	4	1	4
7.5	1	4	1	4	1	4	1	4
11	1	3	1	3	1	4	1	4
15	1	2	1	2	1	4	1	4

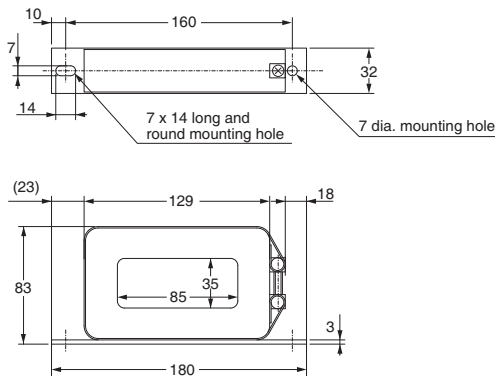
Specifications 3G3AX-ZCL2

Applicable Inverter capacity (kW)	200 V class				400 V class			
	Input		output		Input		output	
	Quantity	No. of turns	Quantity	No. of turns	Quantity	No. of turns	Quantity	No. of turns
0.1	1	4	1	4	1	4	1	4
0.2	1	4	1	4	1	4	1	4
0.4	1	4	1	4	1	4	1	4
0.75	1	4	1	4	1	4	1	4
1.5	1	4	1	4	1	4	1	4
2.2	1	4	1	4	1	4	1	4
3.0	1	4	1	4	1	4	1	4
3.7	1	4	1	4	1	4	1	4
4.0	1	4	1	4	1	4	1	4
5.5	1	4	1	4	1	4	1	4
7.5	1	4	1	4	1	4	1	4

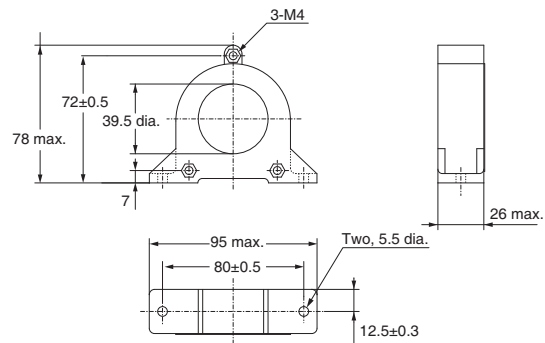
Note: When the inverter is used in the LD or VLD mode, select a radio noise filter according to the capacity of the used motor that is more than one size larger than in the ND mode.

Dimensions (Unit: mm)

3G3AX-ZCL1



3G3AX-ZCL2

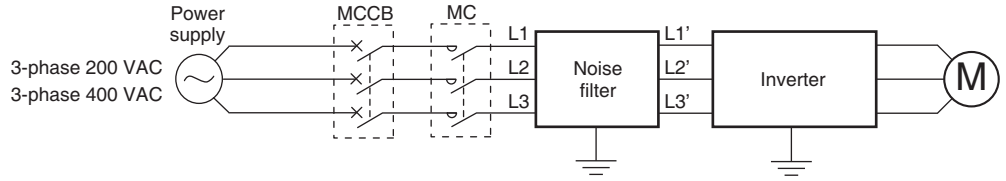
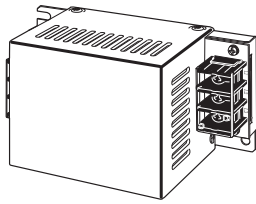


High-function General-purpose Inverters RX2 Series

Input Noise Filter 3G3AX-NFI□□

Reduces noise coming into the inverter from the power supply line and noise flowing from the inverter into the power supply line. Connect as close to the Inverter as possible.

Connection Example



Specifications

Voltage class	Inverter					Input noise filter specifications				
	Max. applicable motor capacity [kW]	Model	Load specification selection	Max. applicable motor capacity [kW]	Rated input current [A]	Model	Max. input voltage	Rated input current (at 50°C) [A]	Heat generation [W]	Leakage current (at 60 Hz)
200-V class	0.4	3G3RX2-A2004	ND	0.4	3.3	3G3AX-NFI21	250 VAC +10%	6	3	1.5 mA max. (250 VAC)
			LD	0.75	3.9					
			VLD	0.75	3.9					
	0.75	3G3RX2-A2007	ND	0.75	5.5	3G3AX-NFI22		10	4	
			LD	1.5	7.2					
			VLD	1.5	7.2					
	1.5	3G3RX2-A2015	ND	1.5	8.3	3G3AX-NFI23		20	6	
			LD	2.2	10.8					
			VLD	2.2	10.8					
	2.2	3G3RX2-A2022	ND	2.2	12	3G3AX-NFI24		30	9	
			LD	3.7	13.9					
			VLD	3.7	13.9					
	3.7	3G3RX2-A2037	ND	3.7	18	3G3AX-NFI25		40	12	
			LD	5.5	23					
			VLD	5.5	23					
	5.5	3G3RX2-A2055	ND	5.5	26	3G3AX-NFI26		60	17	
			LD	7.5	37					
			VLD	7.5	37					
	7.5	3G3RX2-A2075	ND	7.5	35	3G3AX-NFI27		80	21	
			LD	11	48					
			VLD	11	48					
	11	3G3RX2-A2110	ND	11	51	3G3AX-NFI28		100	23	
			LD	15	64					
			VLD	15	64					
15	3G3RX2-A2150	ND	15	70	3G3AX-NFI29	150	45			
		LD	18.5	80						
		VLD	18.5	80						
18.5	3G3RX2-A2185	ND	18.5	84	3G3AX-NFI2A	200	50			
		LD	22	94						
		VLD	22	94						
22	3G3RX2-A2220	ND	22	105	3G3AX-NFI2B	250	68			
		LD	30	120						
		VLD	30	120						
30	3G3RX2-A2300	ND	30	133	3G3AX-NFI2C	300	56			
		LD	37	150						
		VLD	37	150						
37	3G3RX2-A2370	ND	37	160	---	---	---			
		LD	45	186						
		VLD	45	186						
45	3G3RX2-A2450	ND	45	200	---	---	---			
		LD	55	240						
		VLD	55	240						
55	3G3RX2-A2550	ND	55	242	---	---	---			
		LD	75	280						
		VLD	75	280						

High-function General-purpose Inverters RX2 Series

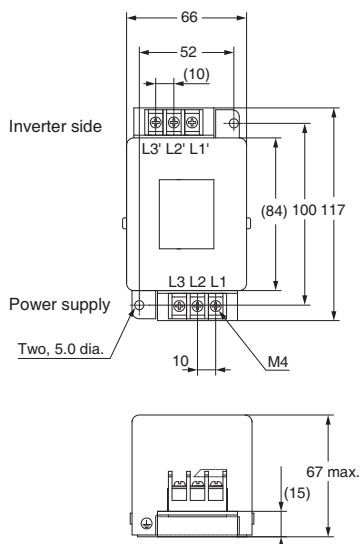
Inverter						Input noise filter specifications							
Voltage class	Max. applicable motor capacity [kW]	Model	Load specification selection	Max. applicable motor capacity [kW]	Rated input current [A]	Model	Max. input voltage	Rated input current (at 50°C) [A]	Heat generation [W]	Leakage current (at 60 Hz)			
400-V class	0.75	3G3RX2-A4007	ND	0.75	2.8	3G3AX-NFI41	480 VAC +10%	7	2	7.5 mA max. (480 VAC)			
			LD	1.5	4.3								
			VLD	1.5	4.3								
	1.5	3G3RX2-A4015	ND	1.5	4.2								
			LD	2.2	5.9								
			VLD	2.2	5.9								
	2.2	3G3RX2-A4022	ND	2.2	5.8						3G3AX-NFI42	10	4
			LD	3.7	8.1								
			VLD	3.7	8.1								
	3.7	3G3RX2-A4037	ND	3.7	9.8	3G3AX-NFI43		20	6				
			LD	5.5	13.3								
			VLD	5.5	13.3								
	5.5	3G3RX2-A4055	ND	5.5	15								
			LD	7.5	20								
			VLD	7.5	20								
	7.5	3G3RX2-A4075	ND	7.5	21						3G3AX-NFI44	30	9
			LD	11	24								
			VLD	11	24								
	11	3G3RX2-A4110	ND	11	28	3G3AX-NFI45		40	12				
			LD	15	32								
			VLD	15	32								
	15	3G3RX2-A4150	ND	15	35			3G3AX-NFI46	50		15		
			LD	18.5	41								
			VLD	18.5	41								
18.5	3G3RX2-A4185	ND	18.5	42	3G3AX-NFI47		60	17					
		LD	22	47									
		VLD	22	47									
22	3G3RX2-A4220	ND	22	53	3G3AX-NFI48	80	21						
		LD	30	63									
		VLD	30	63									
30	3G3RX2-A4300	ND	30	64	3G3AX-NFI49	100	23						
		LD	37	77									
		VLD	37	77									
37	3G3RX2-A4370	ND	37	83	3G3AX-NFI4A	150	45						
		LD	45	94									
		VLD	45	94									
45	3G3RX2-A4450	ND	45	100									
		LD	55	116									
		VLD	55	116									
55	3G3RX2-A4550	ND	55	121				---	---	---			
		LD	75	149									
		VLD	75	149									

High-function General-purpose Inverters RX2 Series

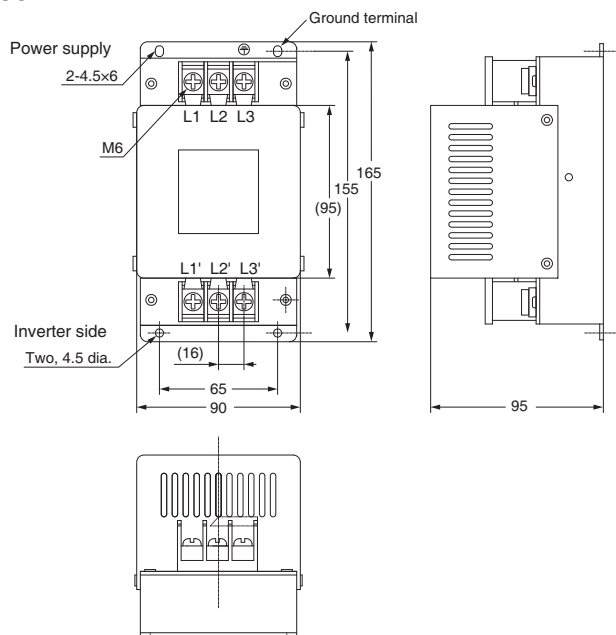
Dimensions (Unit: mm)

Model	Case, enclosure rating	Terminal size	Wire diameter	Weight [kg]
3G3AX-NFI21	Plastic, IP00	M4	1.25 mm ²	0.5
3G3AX-NFI22	Plastic, IP00	M4	2 mm ²	0.6
3G3AX-NFI23	Plastic, IP00	M4	2 mm ² , 3.5 mm ²	0.7
3G3AX-NFI24	Plastic, IP00	M4	5.5 mm ²	0.8
3G3AX-NFI25	Plastic, IP00	M5	8 mm ²	1.4
3G3AX-NFI26	Plastic, IP00	M5	14 mm ²	1.8
3G3AX-NFI27	Metal, IP00	M6	22 mm ²	3.6
3G3AX-NFI28	Metal, IP00	M8	30 mm ²	4.6
3G3AX-NFI29	Metal, IP00	M8	38 mm ² , 60 mm ²	9.0
3G3AX-NFI2A	Metal, IP00	M10	100 mm ² or 38 mm ² , 2 wires parallel	16
3G3AX-NFI2B	Metal, IP00	M10	100 mm ² or 38 mm ² , 2 wires parallel	16
3G3AX-NFI2C	Metal, IP00	M10	150 mm ² or 60 mm ² , 2 wires parallel	23
3G3AX-NFI41	Plastic, IP00	M4	1.25 mm ² , 2 mm ²	0.7
3G3AX-NFI42	Plastic, IP00	M4	2 mm ²	0.7
3G3AX-NFI43	Plastic, IP00	M4	2 mm ² , 3.5 mm ²	0.7
3G3AX-NFI44	Plastic, IP00	M4	5.5 mm ²	0.8
3G3AX-NFI45	Plastic, IP00	M5	8 mm ²	1.4
3G3AX-NFI46	Plastic, IP00	M5	14 mm ²	1.6
3G3AX-NFI47	Plastic, IP00	M5	14 mm ²	1.8
3G3AX-NFI48	Metal, IP00	M6	22 mm ²	3.6
3G3AX-NFI49	Metal, IP00	M8	38 mm ²	4.6
3G3AX-NFI4A	Metal, IP00	M8	38 mm ² , 60 mm ²	9.0

3G3AX-NFI21 3G3AX-NFI22

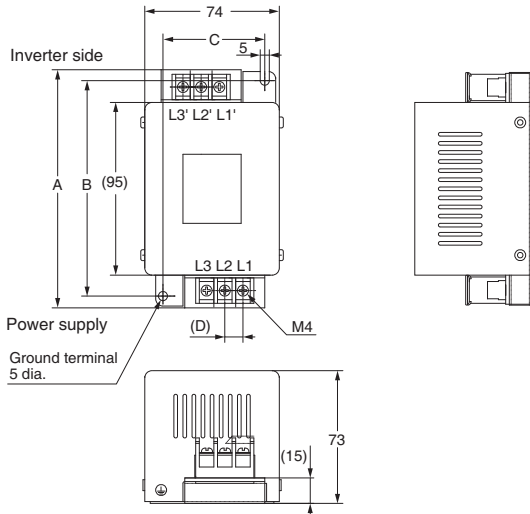


3G3AX-NFI25/3G3AX-NFI26 3G3AX-NFI45/3G3AX-NFI46 3G3AX-NFI47



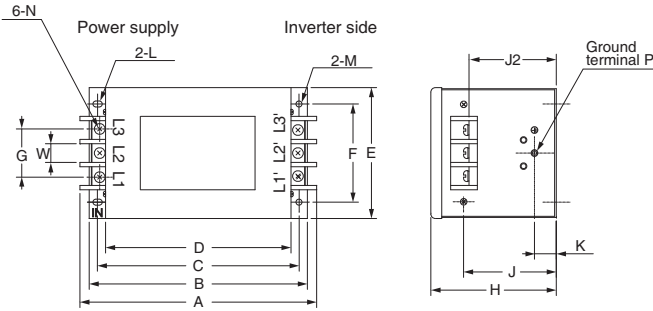
High-function General-purpose Inverters RX2 Series

3G3AX-NFI23/3G3AX-NFI24
 3G3AX-NFI41/3G3AX-NFI42
 3G3AX-NFI43/3G3AX-NFI44



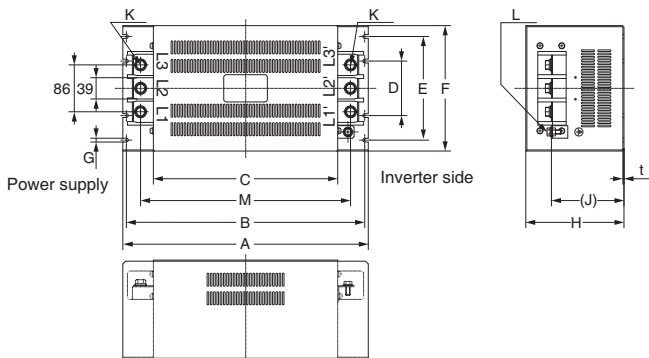
Model	Dimensions (mm)			
	A	B	C	D
3G3AX-NFI23	128	118	56	10
3G3AX-NFI24	144	130	56	11
3G3AX-NFI41	144	130	56	11
3G3AX-NFI42	144	130	56	11
3G3AX-NFI43	144	130	56	11
3G3AX-NFI44	144	130	56	11

3G3AX-NFI27/3G3AX-NFI28
 3G3AX-NFI29/3G3AX-NFI48
 3G3AX-NFI49/3G3AX-NFI4A



Model	Dimensions (mm)															
	A	B	C	D	E	F	G	H	J	J2	K	L	M	N	P	W
3G3AX-NFI27	217	200	185	170	120	90	44	115	85	82	20	R2.75, Length 7	5.5 dia.	M6	M4	17
3G3AX-NFI28	254	230	215	200	150	120	57	115	80	75	30	R3.75, Length 8	6.5 dia.	M8	M6	23
3G3AX-NFI29	314	300	280	260	200	170	57	130	90	85	35	R3.75, Length 8	6.5 dia.	M8	M6	23
3G3AX-NFI48	217	200	185	170	120	90	44	115	85	85	20	R2.75, Length 7	5.5 dia.	M6	M4	17
3G3AX-NFI49	254	230	215	200	150	120	57	115	80	75	30	R3.75, Length 8	6.5 dia.	M8	M6	23
3G3AX-NFI4A	314	300	280	260	200	170	57	130	90	85	35	R3.75, Length 8	6.5 dia.	M8	M6	23

3G3AX-NFI2A/3G3AX-NFI2B
 3G3AX-NFI2C

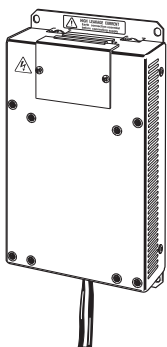


Model	Dimensions (mm)												
	A	B	C	D	E	F	G	H	J	K	L	M	N
3G3AX-NFI2A	450	430	338	100	190	230	7	180	(133)	M10	M8	385	1.0
3G3AX-NFI2B													
3G3AX-NFI2C	500	475	400	---	160	200	12	180	(133)	M10	M8	445	1.2

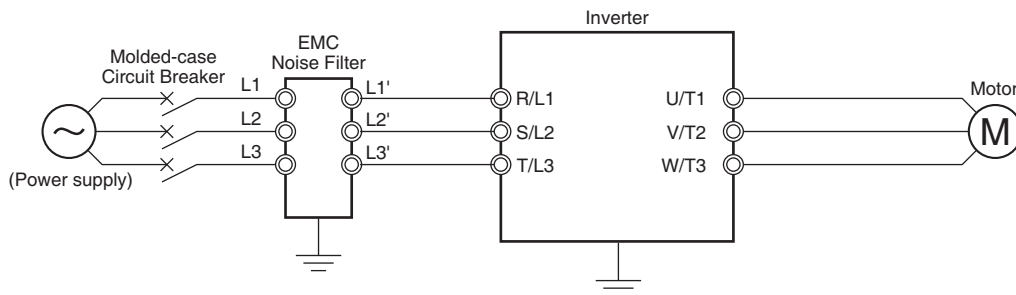
High-function General-purpose Inverters RX2 Series

EMC Noise Filter 3G3AX-EFI□□□

Separately installed option used to comply with the EC's EMC Directives. Select a filter appropriate for the Inverter model.
Although an EMC Noise Filter is built into the RX2, it may be necessary to provide another EMC Noise Filter when the cable between the Motor and the Inverter is long.



Connection Example



Specifications

Inverter						EMC noise filter specifications					Class
Voltage class	Max. applicable motor capacity [kW]	Model	Load specification selection	Max. applicable motor capacity [kW]	Rated input current [A]	Model	Max. input voltage	Rated input current [A]	Heat generation [W]	Leakage current (at 480 VAC 60 Hz)	
200-V class	0.4	3G3RX2-A2004	ND	0.4	3.3	3G3AX-EFI41	480 VAC +10%	7	4	150 mA max.	A
			LD	0.75	3.9						
			VLD	0.75	3.9						
	0.75	3G3RX2-A2007	ND	0.75	5.5	3G3AX-EFI42		10	4	150 mA max.	
			LD	1.5	7.2						
			VLD	1.5	7.2						
	1.5	3G3RX2-A2015	ND	1.5	8.3	3G3AX-EFI43		20	8	170 mA max.	
			LD	2.2	10.8						
			VLD	2.2	10.8						
	3.7	3G3RX2-A2037	ND	2.2	12	3G3AX-EFI44		30	9	170 mA max.	
			LD	3.7	13.9						
			VLD	3.7	13.9						
	5.5	3G3RX2-A2055	ND	3.7	18	3G3AX-EFI45		40	15	170 mA max.	
			LD	5.5	26						
			VLD	5.5	26						
	7.5	3G3RX2-A2075	ND	7.5	35	3G3AX-EFI47		60	15	250 mA max.	
			LD	11	48						
			VLD	11	48						
	11	3G3RX2-A2110	ND	11	51	3G3AX-EFI48		80	21	250 mA max.	
			LD	15	64						
			VLD	15	64						
	15	3G3RX2-A2150	ND	15	70	3G3AX-EFI49		100	23	250 mA max.	
			LD	18.5	80						
			VLD	18.5	80						
18.5	3G3RX2-A2185	ND	18.5	84	3G3AX-EFI4A	150	45	250 mA max.			
		LD	22	94							
		VLD	22	94							
22	3G3RX2-A2220	ND	22	105	3G3AX-EFI4B	200	50	250 mA max.			
		LD	30	120							
		VLD	30	120							
30	3G3RX2-A2300	ND	30	133	---	---	---	---			
		LD	37	150							
		VLD	37	150							
37	3G3RX2-A2370	ND	37	160	---	---	---	---			
		LD	45	186							
		VLD	45	186							

High-function General-purpose Inverters RX2 Series

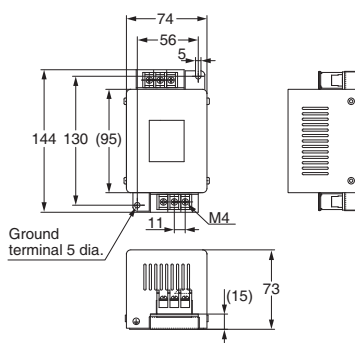
Inverter						EMC noise filter specifications						
Voltage class	Max. applicable motor capacity [kW]	Model	Load specification selection	Max. applicable motor capacity [kW]	Rated input current [A]	Model	Max. input voltage	Rated input current [A]	Heat generation [W]	Leakage current (at 480 VAC 60 Hz)	Class	
400-V class	0.75	3G3RX2-A4007	ND	0.75	2.8	3G3AX-EFI41	480 VAC +10%	7	4	150 mA max.	A	
			LD	1.5	4.3							
			VLD	1.5	4.3							
	1.5	3G3RX2-A4015	ND	1.5	4.2			3G3AX-EFI42	10	4		150 mA max.
			LD	2.2	5.9							
			VLD	2.2	5.9							
	2.2	3G3RX2-A4022	ND	2.2	5.8	3G3AX-EFI43		20	8	170 mA max.		
			LD	3.7	8.1							
			VLD	3.7	8.1							
	3.7	3G3RX2-A4037	ND	3.7	9.8			3G3AX-EFI44	30	9		170 mA max.
			LD	5.5	13.3							
			VLD	5.5	13.3							
	5.5	3G3RX2-A4055	ND	5.5	15	3G3AX-EFI45		40	15	170 mA max.		
			LD	7.5	20							
			VLD	7.5	20							
	7.5	3G3RX2-A4075	ND	7.5	21	3G3AX-EFI46		50	15	250 mA max.		
			LD	11	24							
			VLD	11	24							
	11	3G3RX2-A4110	ND	11	28			3G3AX-EFI47	60	15		250 mA max.
			LD	15	32							
			VLD	15	32							
	15	3G3RX2-A4150	ND	15	35	3G3AX-EFI48		80	21	250 mA max.		
			LD	18.5	41							
			VLD	18.5	41							
	18.5	3G3RX2-A4185	ND	18.5	42	3G3AX-EFI49		100	23	250 mA max.		
			LD	22	47							
			VLD	22	47							
22	3G3RX2-A4220	ND	22	53	3G3AX-EFI4A	150	45	250 mA max.				
		LD	30	63								
		VLD	30	63								
30	3G3RX2-A4300	ND	30	64		3G3AX-EFI4B	200	50	250 mA max.			
		LD	37	77								
		VLD	37	77								
37	3G3RX2-A4370	ND	37	83	---	---	---	---				
		LD	45	94								
		VLD	45	94								
45	3G3RX2-A4450	ND	45	100	---	---	---	---				
		LD	55	116								
		VLD	55	116								
55	3G3RX2-A4550	ND	55	121	---	---	---	---				
		LD	75	149								
		VLD	75	149								
75	3G3RX2-B4750	ND	75	164	---	---	---	---				
		LD	90	176								
		VLD	90	176								
90	3G3RX2-B4900	ND	90	194	---	---	---	---				
		LD	110	199								
		VLD	110	199								

High-function General-purpose Inverters RX2 Series

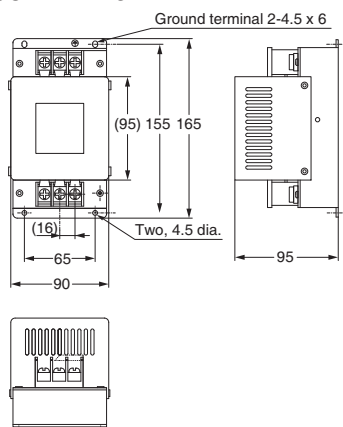
Dimensions (Unit: mm)

Model	Case, enclosure rating	Screw size	Wire size	Weight [kg]
3G3AX-EFI41	Plastic, IP00	M4	1.25 mm ² , 2 mm ²	0.7
3G3AX-EFI42			2 mm ²	0.7
3G3AX-EFI43		M5	2 mm ² , 3.5 mm ²	1.0
3G3AX-EFI44			5.5 mm ²	1.3
3G3AX-EFI45			8 mm ²	1.4
3G3AX-EFI46	Metal, IP00	M6	14 mm ²	2.9
3G3AX-EFI47			14 mm ²	3.0
3G3AX-EFI48			22 mm ²	3.6
3G3AX-EFI49		M8	30 mm ² , 38 mm ²	4.3
3G3AX-EFI4A			38 mm ² , 60 mm ²	9.0
3G3AX-EFI4B		M10	100 mm ² or 38 mm ² , 2 wires parallel	16.0

**3G3AX-EFI41
3G3AX-EFI42**

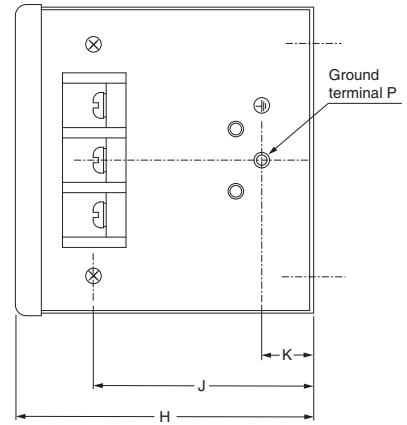
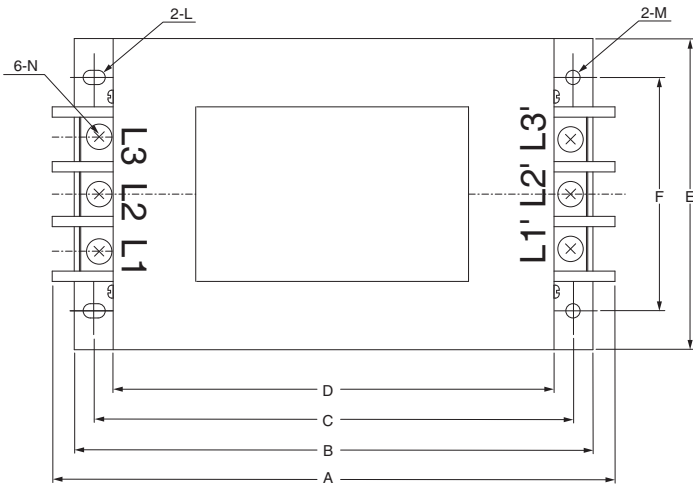


**3G3AX-EFI43/3G3AX-EFI44
3G3AX-EFI45**



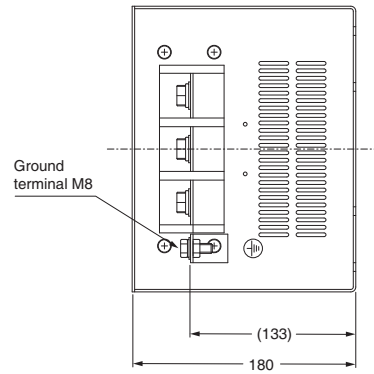
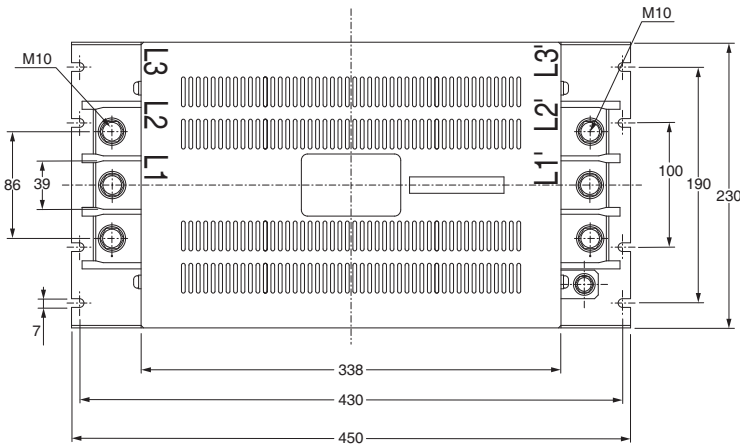
High-function General-purpose Inverters RX2 Series

3G3AX-EFI46/3G3AX-EFI47/3G3AX-EFI48
3G3AX-EFI49/3G3AX-EFI4A



Model	Dimensions [mm]												
	A	B	C	D	E	F	H	J	K	L	M	N	P
3G3AX-EF146	217	220	185	170	120	90	115	85	20	R2.75, Length 7	5.5 dia.	M6	M4
3G3AX-EF147													
3G3AX-EF148													
3G3AX-EF149	254	230	215	200	150	120	115	80	30	R3.25, Length 8	6.5 dia.	M8	M6
3G3AX-EF14A	314	300	280	260	200	170	130	90	35	R3.25, Length 8	6.5 dia.	M8	M6

3G3AX-EFI4B

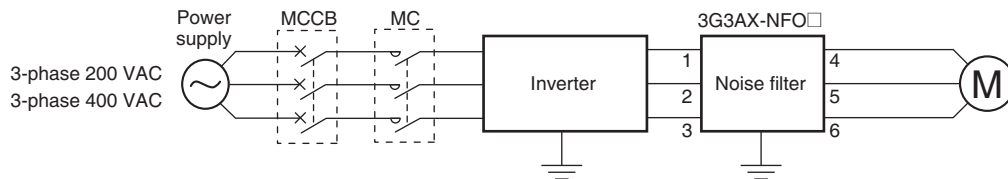
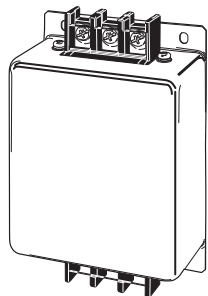


High-function General-purpose Inverters RX2 Series

Output Noise Filter 3G3AX-NFO□□

Reduces noise generated by the Inverter. Connect as close to the Inverter as possible.

Connection Example



Specifications

Inverter						Output noise filter specifications			
Voltage class	Max. applicable motor capacity [kW]	Model	Load specification selection	Max. applicable motor capacity [kW]	Rated input current [A]	Model	Rated voltage	Rated input current [A]	Weight [kg]
200-V class	0.4	3G3RX2-A2004	ND	0.4	3.0	3G3AX-NFO01	500 VAC	6	0.7
			LD	0.75	3.7				
			VLD	0.75	3.7				
	0.75	3G3RX2-A2007	ND	0.75	5.0	3G3AX-NFO02		12	0.9
			LD	1.5	6.3				
			VLD	1.5	6.3				
	1.5	3G3RX2-A2015	ND	1.5	7.5	3G3AX-NFO03		25	2.1
			LD	2.2	9.4				
			VLD	2.2	9.4				
	2.2	3G3RX2-A2022	ND	2.2	10.5	3G3AX-NFO04		50	3.7
			LD	3.7	12				
			VLD	3.7	12				
	3.7	3G3RX2-A2037	ND	3.7	16.5	3G3AX-NFO05		75	5.7
			LD	5.5	19.6				
			VLD	5.5	19.6				
	5.5	3G3RX2-A2055	ND	5.5	24	3G3AX-NFO06		100	8.4
			LD	7.5	30				
			VLD	7.5	30				
	7.5	3G3RX2-A2075	ND	7.5	32	3G3AX-NFO07		150	9.0
			LD	11	44				
			VLD	11	44				
	11	3G3RX2-A2110	ND	11	46	---		---	---
			LD	15	58				
			VLD	15	58				
15	3G3RX2-A2150	ND	15	64	---	---	---		
		LD	18.5	73					
		VLD	18.5	73					
18.5	3G3RX2-A2185	ND	18.5	76	---	---	---		
		LD	22	85					
		VLD	22	85					
22	3G3RX2-A2220	ND	22	95	---	---	---		
		LD	30	113					
		VLD	30	113					
30	3G3RX2-A2300	ND	30	121	---	---	---		
		LD	37	140					
		VLD	37	140					
37	3G3RX2-A2370	ND	37	145	---	---	---		
		LD	45	169					
		VLD	45	169					

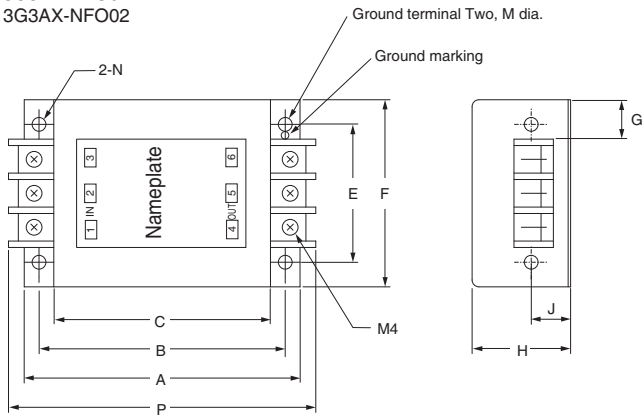
High-function General-purpose Inverters RX2 Series

Inverter						Output noise filter specifications				
Voltage class	Max. applicable motor capacity [kW]	Model	Load specification selection	Max. applicable motor capacity [kW]	Rated input current [A]	Model	Rated voltage	Rated input current [A]	Weight [kg]	
400-V class	0.75	3G3RX2-A4007	ND	0.75	2.5	3G3AX-NFO01	500 VAC	6	0.7	
			LD	1.5	3.1					
			VLD	1.5	3.1					
	1.5	3G3RX2-A4015	ND	1.5	3.8					
			LD	2.2	4.8					
			VLD	2.2	4.8					
	2.2	3G3RX2-A4022	ND	2.2	5.3			3G3AX-NFO02	12	0.9
			LD	3.7	6.7					
			VLD	3.7	6.7					
	3.7	3G3RX2-A4037	ND	3.7	9.0	3G3AX-NFO03		25	2.1	
			LD	5.5	11.1					
			VLD	5.5	11.1					
	5.5	3G3RX2-A4055	ND	5.5	14					
			LD	7.5	16					
			VLD	7.5	16					
	7.5	3G3RX2-A4075	ND	7.5	19					
			LD	11	22					
			VLD	11	22					
	11	3G3RX2-A4110	ND	11	25	3G3AX-NFO04		50	3.7	
			LD	15	29					
			VLD	15	29					
	15	3G3RX2-A4150	ND	15	32					
			LD	18.5	37					
			VLD	18.5	37					
18.5	3G3RX2-A4185	ND	18.5	38						
		LD	22	43						
		VLD	22	43						
22	3G3RX2-A4220	ND	22	48	3G3AX-NFO05	75	5.7			
		LD	30	57						
		VLD	30	57						
30	3G3RX2-A4300	ND	30	58						
		LD	37	70						
		VLD	37	70						
37	3G3RX2-A4370	ND	37	75				3G3AX-NFO06	100	8.4
		LD	45	85						
		VLD	45	85						
45	3G3RX2-A4450	ND	45	91	3G3AX-NFO07	150	9.0			
		LD	55	105						
		VLD	55	105						
55	3G3RX2-A4550	ND	55	112						
		LD	75	135						
		VLD	75	135						
75	3G3RX2-B4750	ND	75	149				---	---	---
		LD	90	160						
		VLD	90	160						

High-function General-purpose Inverters RX2 Series

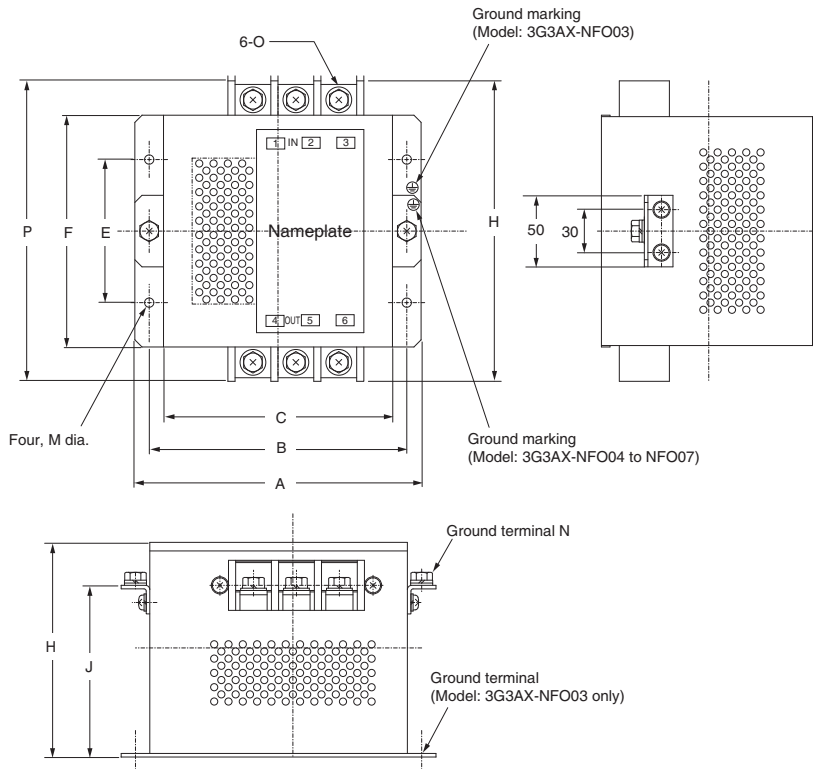
Dimensions (Unit: mm)

3G3AX-NFO01
3G3AX-NFO02



Model	Dimensions [mm]										
	A	B	C	E	F	G	H	J	M	P	N
3G3AX-NFO01	140	125	110	70	95	22	50	20	4.5	156	2-R2.25 Length 6
3G3AX-NFO02	160	145	130	80	110	30	70	25	5.5	176	2-R2.75 Length 7

3G3AX-NFO03/3G3AX-NFO04/3G3AX-NFO05
3G3AX-NFO06/3G3AX-NFO07



Model	Dimensions [mm]										
	A	B	C	E	F	H	J	M	N	O	P
3G3AX-NFO03	160	145	130	80	112	120	---	6.5 dia.	---	M4	154
3G3AX-NFO04	200	180	160	100	162	150	120	6.5 dia.	M5	M5	210
3G3AX-NFO05	220	200	180	100	182	170	140	6.5 dia.	M6	M6	230
3G3AX-NFO06	220	200	180	100	182	170	140	6.5 dia.	M8	M8	237
3G3AX-NFO07	240	220	200	150	202	170	140	6.5 dia.	M8	M8	257

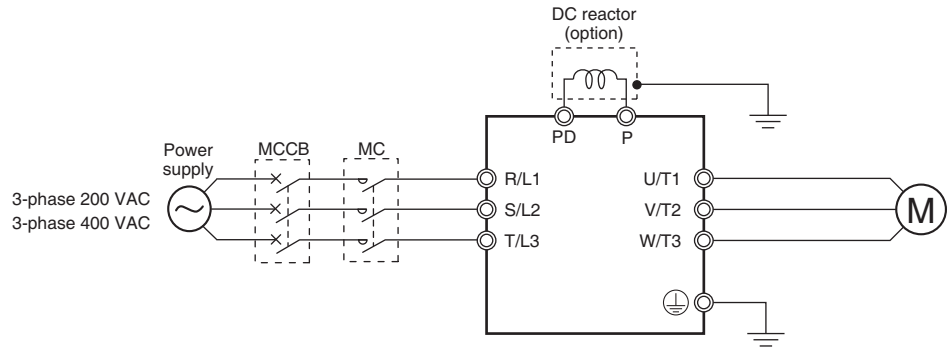
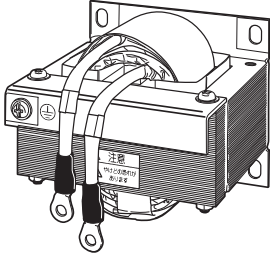
High-function General-purpose Inverters RX2 Series

DC Reactor 3G3AX-DL□□□□

Used to suppress harmonic current generated from the Inverter.

Suppresses harmonic current better than the AC Reactor and can be used with the AC Reactor.

Connection Example



Specifications

Inverter						DC reactor specifications				
Voltage class	Max. applicable motor capacity [kW]	Model	Load specification selection	Max. applicable motor capacity [kW]	Rated input current [A]	Model	Inductance [mH]	Heat generation [W]	Operating ambient temperature /humidity	Location
200-V class	0.4	3G3RX2-A2004	ND	0.4	3.3	3G3AX-DL2004	10.7	8	-10 to 50°C 20% to 90%	At an altitude of 1,000 m max.; indoors (without corrosive gases or dust)
			LD	0.75	3.9	3G3AX-DL2007	6.75	15		
			VLD	0.75	3.9					
	0.75	3G3RX2-A2007	ND	0.75	5.5	3G3AX-DL2015	3.51	25		
			LD	1.5	7.2					
			VLD	1.5	7.2					
	1.5	3G3RX2-A2015	ND	1.5	8.3	3G3AX-DL2022	2.51	35		
			LD	2.2	10.8					
			VLD	2.2	10.8					
	2.2	3G3RX2-A2022	ND	2.2	12	3G3AX-DL2037	1.60	45		
			LD	3.7	13.9					
			VLD	3.7	13.9					
	3.7	3G3RX2-A2037	ND	3.7	18	3G3AX-DL2055	1.11	55		
			LD	5.5	23					
			VLD	5.5	23					
	5.5	3G3RX2-A2055	ND	5.5	26	3G3AX-DL2075	0.84	95		
			LD	7.5	37					
			VLD	7.5	37					
	7.5	3G3RX2-A2075	ND	7.5	35	3G3AX-DL2110	0.59	80		
			LD	11	48					
			VLD	11	48					
	11	3G3RX2-A2110	ND	11	51	3G3AX-DL2150	0.44	135		
			LD	15	64					
			VLD	15	64					
15	3G3RX2-A2150	ND	15	70	3G3AX-DL2220	0.30	200			
		LD	18.5	80						
		VLD	18.5	80						
18.5	3G3RX2-A2185	ND	18.5	84						
		LD	22	94						
		VLD	22	94						
22	3G3RX2-A2220	ND	22	105	3G3AX-DL2300	0.23	220			
		LD	30	120						
		VLD	30	120						
30	3G3RX2-A2300	ND	30	133	3G3AX-DL2370	0.19	275			
		LD	37	150						
		VLD	37	150						
37	3G3RX2-A2370	ND	37	160	3G3AX-DL2450	0.16	335			
		LD	45	186						
		VLD	45	186						
45	3G3RX2-A2450	ND	45	200	3G3AX-DL2550	0.13	360			
		LD	55	240						
		VLD	55	240						
55	3G3RX2-A2550	ND	55	242	---	---	---			
		LD	75	280						
		VLD	75	280						

High-function General-purpose Inverters RX2 Series

Inverter						DC reactor specifications				
Voltage class	Max. applicable motor capacity [kW]	Model	Load specification selection	Max. applicable motor capacity [kW]	Rated input current [A]	Model	Inductance [mH]	Heat generation [W]	Operating ambient temperature /humidity	Location
400-V class	0.75	3G3RX2-A4007	ND	0.75	2.8	3G3AX-DL4007	27.0	15	-10 to 50°C 20% to 90%	At an altitude of 1,000 m max.; indoors (without corrosive gases or dust)
			LD	1.5	4.3	3G3AX-DL4015	14.0	25		
			VLD	1.5	4.3					
	1.5	3G3RX2-A4015	ND	1.5	4.2	3G3AX-DL4022	10.1	35		
			LD	2.2	5.9					
			VLD	2.2	5.9					
	2.2	3G3RX2-A4022	ND	2.2	5.8	3G3AX-DL4037	6.4	45		
			LD	3.7	8.1					
			VLD	3.7	8.1					
	3.7	3G3RX2-A4037	ND	3.7	9.8	3G3AX-DL4055	4.41	55		
			LD	5.5	13.3					
			VLD	5.5	13.3					
	5.5	3G3RX2-A4055	ND	5.5	15	3G3AX-DL4075	3.35	95		
			LD	7.5	20					
			VLD	7.5	20					
	7.5	3G3RX2-A4075	ND	7.5	21	3G3AX-DL4110	2.33	80		
			LD	11	24					
			VLD	11	24					
	11	3G3RX2-A4110	ND	11	28	3G3AX-DL4150	1.75	135		
			LD	15	32					
			VLD	15	32					
	15	3G3RX2-A4150	ND	15	35	3G3AX-DL4220	1.20	200		
			LD	18.5	41					
			VLD	18.5	41					
	18.5	3G3RX2-A4185	ND	18.5	42	3G3AX-DL4300	0.92	230		
			LD	22	47					
			VLD	22	47					
22	3G3RX2-A4220	ND	22	53	3G3AX-DL4370	0.74	275			
		LD	30	63						
		VLD	30	63						
30	3G3RX2-A4300	ND	30	64	3G3AX-DL4450	0.61	340			
		LD	37	77						
		VLD	37	77						
37	3G3RX2-A4370	ND	37	83	3G3AX-DL4550	0.5	400			
		LD	45	94						
		VLD	45	94						
45	3G3RX2-A4450	ND	45	100	---	---	---			
		LD	55	116						
		VLD	55	116						
55	3G3RX2-A4550	ND	55	121	---	---	---			
		LD	75	149						
		VLD	75	149						

High-function General-purpose Inverters RX2 Series

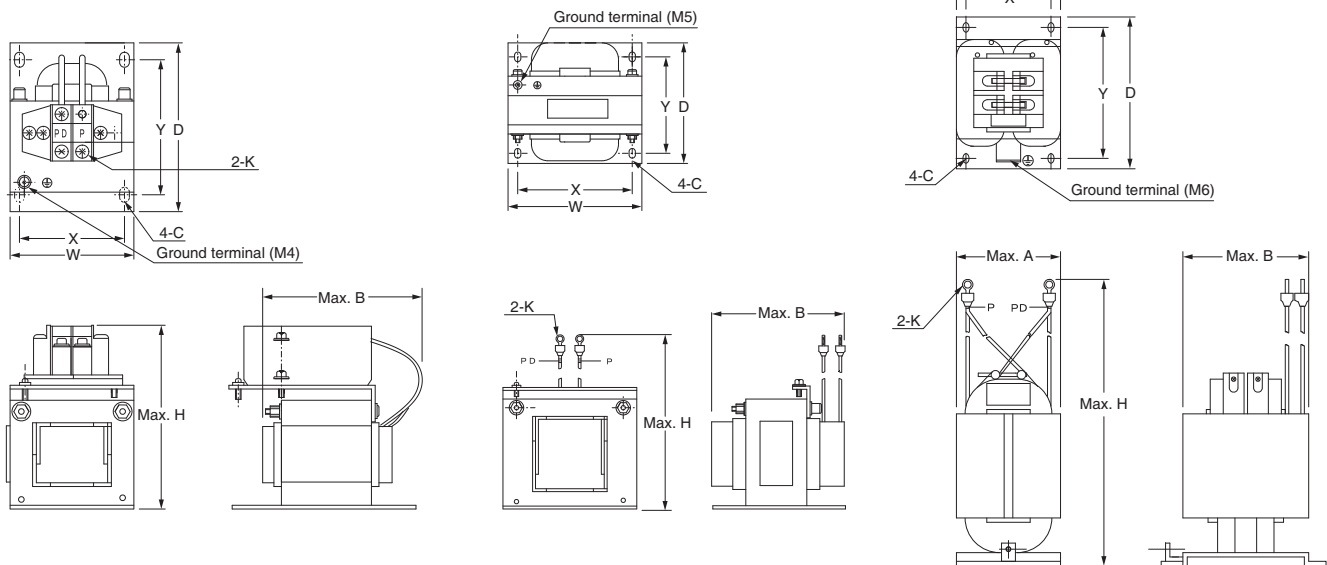
Dimensions (Unit: mm)

Inverter input power supply	Model	Fig. No.	Applicable motor capacity [kW]	Dimensions [mm]								Weight [kg]	Standard applicable wire	
				W	D	H	A	B	X	Y	C			K
3/1-phase 200 VAC	3G3AX-DL2002	Fig. 1	0.2	66	90	98	---	85	56	72	5.2×8	M4	0.8	1.25 mm ² min.
	3G3AX-DL2004		0.4	66	90	98	---	95	56	72	5.2×8	M4	1.0	1.25 mm ² min.
	3G3AX-DL2007		0.75	66	90	98	---	105	56	72	5.2×8	M4	1.3	2 mm ² min.
	3G3AX-DL2015		1.5	66	90	98	---	115	56	72	5.2×8	M4	1.6	2 mm ² min.
	3G3AX-DL2022		2.2	86	100	116	---	105	71	80	6×9	M4	2.1	2 mm ² min.
	3G3AX-DL2037		3.7	86	100	118	---	120	71	80	6×9	M4	2.6	3.5 mm ² min.
	3G3AX-DL2055	Fig. 2	5.5	111	100	210	---	110	95	80	7×11	M5	3.6	8 mm ² min.
	3G3AX-DL2075		7.5	111	100	212	---	120	95	80	7×11	M6	3.9	14 mm ² min.
	3G3AX-DL2110		11	146	120	252	---	110	124	96	7×11	M6	6.5	22 mm ² min.
	3G3AX-DL2150		15	146	120	256	---	120	124	96	7×11	M8	7.0	38 mm ² min.
	3G3AX-DL2220	Fig. 3	18.5, 22	120	175	356	140	145	98	151	7×11	M8	9.0	60 mm ² min.
	3G3AX-DL2300		30	120	175	386	155	150	98	151	7×11	M8	13.0	38 mm ² x 2 min.
	3G3AX-DL2370		37	120	175	390	155	150	98	151	7×11	M10	13.5	38 mm ² x 2 min.
	3G3AX-DL2450		45	160	190	420	180	150	120	168	7×11	M10	19.0	60 mm ² x 2 min.
3G3AX-DL2550	55		160	190	424	180	180	120	168	7×11	M12	24.0	80 mm ² x 2 min.	
3G3AX-DL4007	Fig. 1		0.75	66	90	98	---	95	56	72	5.2×8	M4	1.1	1.25 mm ² min.
3G3AX-DL4015		1.5	66	90	98	---	115	56	72	5.2×8	M4	1.6	2 mm ² min.	
3G3AX-DL4022		2.2	86	100	116	---	105	71	80	6×9	M4	2.1	2 mm ² min.	
3G3AX-DL4037		3.7	86	100	116	---	120	71	80	6×9	M4	2.6	2 mm ² min.	
3G3AX-DL4055		5.5	111	100	138	---	110	95	80	7×11	M4	3.6	3.5 mm ² min.	
3G3AX-DL4075		7.5	111	100	138	---	115	95	80	7×11	M4	3.9	3.5 mm ² min.	
3-phase 400 VAC	3G3AX-DL4110	Fig. 2	11	146	120	250	---	105	124	96	7×11	M5	5.2	5.5 mm ² min.
	3G3AX-DL4150		15	146	120	252	---	120	124	96	7×11	M6	7.0	14 mm ² min.
	3G3AX-DL4220	Fig. 3	18.5, 22	120	175	352	140	145	98	151	7×11	M6	9.5	22 mm ² min.
	3G3AX-DL4300		30	120	175	356	140	145	98	151	7×11	M8	9.5	30 mm ² min.
	3G3AX-DL4370		37	120	175	386	155	150	98	151	7×11	M8	13.5	38 mm ² min.
	3G3AX-DL4450		45	160	190	416	180	145	120	168	7×11	M8	16.5	60 mm ² min.
	3G3AX-DL4550		55	160	190	416	190	170	120	168	7×11	M8	23.0	38 mm ² x 2 min.

Fig. 1

Fig. 2

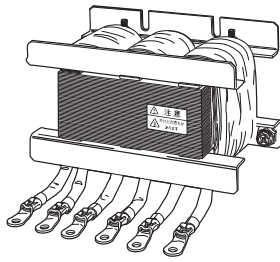
Fig. 3



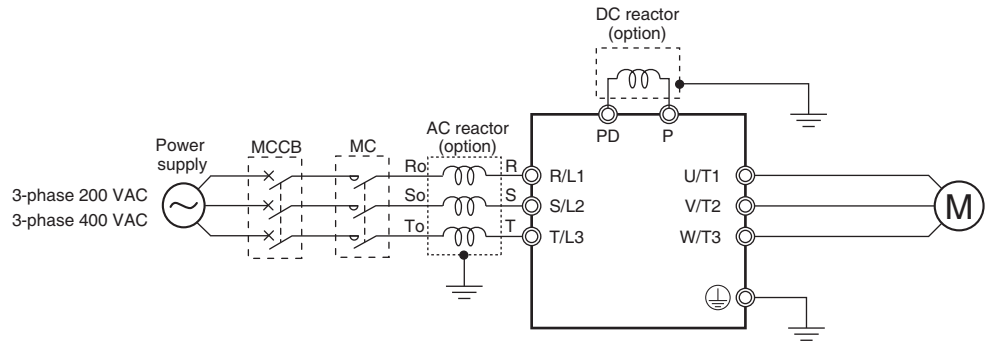
High-function General-purpose Inverters RX2 Series

AC Reactor 3G3AX-AL□□□□

Connect the AC Reactor if the capacity of the power supply is much larger than that of the Inverter or the power factor is required to be improved.



Connection Example



Specifications

Voltage class	Inverter					AC reactor specifications				
	Max. applicable motor capacity [kW]	Model	Load specification selection	Max. applicable motor capacity [kW]	Rated input current [A]	Model	Inductance [mH]	Heat generation [W]	Operating ambient temperature/humidity	Location
200-V class	0.4	3G3RX2-A2004	ND	0.4	3.3	3G3AX-AL2025	2.8	12	-10 to 50°C 20% to 90%	At an altitude of 1,000 m max.; indoors (without corrosive gases or dust)
			LD	0.75	3.9					
			VLD	0.75	3.9					
	0.75	3G3RX2-A2007	ND	0.75	5.5	3G3AX-AL2055	0.88	25		
			LD	1.5	7.2					
			VLD	1.5	7.2					
	1.5	3G3RX2-A2015	ND	1.5	8.3	3G3AX-AL2110	0.35	50		
			LD	2.2	10.8					
			VLD	2.2	10.8					
	2.2	3G3RX2-A2022	ND	2.2	12	3G3AX-AL2220	0.18	50		
			LD	3.7	13.9					
			VLD	3.7	13.9					
	3.7	3G3RX2-A2037	ND	3.7	18	3G3AX-AL2330	0.09	85		
			LD	5.5	23					
			VLD	5.5	23					
	5.5	3G3RX2-A2055	ND	5.5	26	3G3AX-AL2500	0.071	95		
			LD	7.5	37					
			VLD	7.5	37					
	7.5	3G3RX2-A2075	ND	7.5	35	3G3AX-AL2750	0.046	100		
			LD	11	48					
			VLD	11	48					
	11	3G3RX2-A2110	ND	11	51	---	---	---		
			LD	15	64					
			VLD	15	64					
15	3G3RX2-A2150	ND	15	70	---	---	---			
		LD	18.5	80						
		VLD	18.5	80						
18.5	3G3RX2-A2185	ND	18.5	84	---	---	---			
		LD	22	94						
		VLD	22	94						
22	3G3RX2-A2220	ND	22	105	---	---	---			
		LD	30	120						
		VLD	30	120						
30	3G3RX2-A2300	ND	30	133	---	---	---			
		LD	37	150						
		VLD	37	150						
37	3G3RX2-A2370	ND	37	160	---	---	---			
		LD	45	186						
		VLD	45	186						
45	3G3RX2-A2450	ND	45	200	---	---	---			
		LD	55	240						
		VLD	55	240						
55	3G3RX2-A2550	ND	55	242	---	---	---			
		LD	75	280						
		VLD	75	280						

High-function General-purpose Inverters RX2 Series

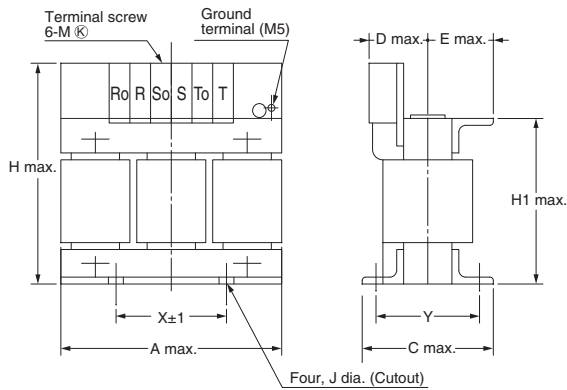
Inverter						AC reactor specifications				
Voltage class	Max. applicable motor capacity [kW]	Model	Load specification selection	Max. applicable motor capacity [kW]	Rated input current [A]	Model	Inductance [mH]	Heat generation [W]	Operating ambient temperature/humidity	Location
400-V class	0.75	3G3RX2-A4007	ND	0.75	2.8	3G3AX-AL4025	7.7	12	-10 to 50°C 20% to 90%	At an altitude of 1,000 m max.; indoors (without corrosive gases or dust)
			LD	1.5	4.3					
			VLD	1.5	4.3					
	1.5	3G3RX2-A4015	ND	1.5	4.2	3G3AX-AL4055	3.5	25		
			LD	2.2	5.9					
			VLD	2.2	5.9					
	2.2	3G3RX2-A4022	ND	2.2	5.8	3G3AX-AL4110	1.3	50		
			LD	3.7	8.1					
			VLD	3.7	8.1					
	3.7	3G3RX2-A4037	ND	3.7	9.8	3G3AX-AL4220	0.74	60		
			LD	5.5	13.3					
			VLD	5.5	13.3					
	5.5	3G3RX2-A4055	ND	5.5	15	3G3AX-AL4330	0.36	90		
			LD	7.5	20					
			VLD	7.5	20					
	7.5	3G3RX2-A4075	ND	7.5	21	3G3AX-AL4500	0.29	95		
			LD	11	24					
			VLD	11	24					
	11	3G3RX2-A4110	ND	11	28	3G3AX-AL4750	0.19	100		
			LD	15	32					
			VLD	15	32					
	15	3G3RX2-A4150	ND	15	35	---	---	---		
			LD	18.5	41					
			VLD	18.5	41					
18.5	3G3RX2-A4185	ND	18.5	42	---	---	---			
		LD	22	47						
		VLD	22	47						
22	3G3RX2-A4220	ND	22	53	---	---	---			
		LD	30	63						
		VLD	30	63						
30	3G3RX2-A4300	ND	30	64	---	---	---			
		LD	37	77						
		VLD	37	77						
37	3G3RX2-A4370	ND	37	83	---	---	---			
		LD	45	94						
		VLD	45	94						
45	3G3RX2-A4450	ND	45	100	---	---	---			
		LD	55	116						
		VLD	55	116						
55	3G3RX2-A4550	ND	55	121	---	---	---			
		LD	75	149						
		VLD	75	149						

High-function General-purpose Inverters RX2 Series

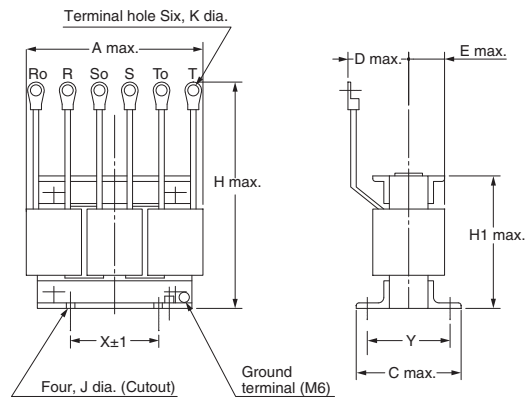
Dimensions (Unit: mm)

Inverter input power supply	Model	Applicable motor capacity [kW]	Dimensions [mm]											Weight [kg]
			A	C	D	E	H	H1	X	Y	J	K	W	
3-phase 200 VAC	3G3AX-AL2025	0.2 to 1.5	120	82	60	40	150	94	50	67	6	4.0	9.5	2.8
	3G3AX-AL2055	2.2, 3.7	120	98	60	40	150	94	50	75	6	4.0	9.5	4.0
	3G3AX-AL2110	5.5, 7.5	150	103	70	55	170	108	60	80	6	5.3	12.0	5.0
	3G3AX-AL2220	11, 15	180	113	75	55	190	140	90	90	6	8.4	16.5	10.0
	3G3AX-AL2330	18.5, 22	180	113	85	60	230	140	125	90	6	8.4	22.0	11.0
	3G3AX-AL2500	30, 37	260	113	85	60	290	202	100	90	7	8.4	27.0	19.0
	3G3AX-AL2750	45, 55	260	144	110	80	290	207	125	112	7	8.4	28.5	25.0
3-phase 400 VAC	3G3AX-AL4025	0.4 to 1.5	130	82	60	40	150	94	50	67	6	4	9.5	2.7
	3G3AX-AL4055	2.2, 3.7	130	98	60	40	150	94	50	75	6	5	12.5	4.0
	3G3AX-AL4110	5.5, 7.5	150	116	75	55	170	106	60	98	6	5	12.5	6.0
	3G3AX-AL4220	11, 15	180	103	75	55	190	140	100	80	6	5.3	12.0	10.0
	3G3AX-AL4330	18.5, 22	180	123	85	60	230	140	100	100	6	6.4	16.5	11.5
	3G3AX-AL4500	30, 37	260	113	85	60	290	202	100	90	7	8.4	22.0	19.0
	3G3AX-AL4750	45, 55	260	146	110	80	290	207	125	112	7	8.4	22.0	25.0

3G3AX-AL2025/3G3AX-AL2055/ 3G3AX-AL4025/3G3AX-AL4055/3G3AX-AL4110



3G3AX-AL2110/3G3AX-AL2220/3G3AX-AL2330 3G3AX-AL2500/3G3AX-AL2750/3G3AX-AL4220 3G3AX-AL4330/3G3AX-AL4500/3G3AX-AL4750



High-function General-purpose Inverters RX2 Series

PG Option Unit 3G3AX-RX2-PG01

The PG Option Unit is an optional unit for the 3G3RX2 Series Inverter. With this unit, you can realize highly accurate system operation with minimum speed fluctuation, and position control via pulse train position command input by detecting the rotation speed of the motor with an encoder and using the data for feedback.

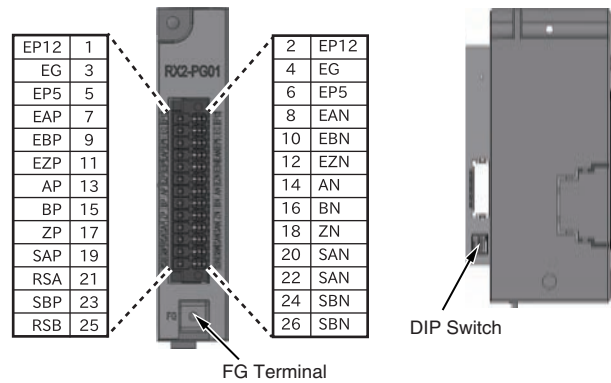


Specifications

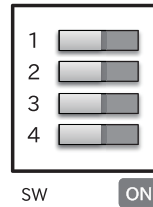
Item		Specifications	
Model		3G3AX-RX2-PG01	
Dimensions (width × height × depth)		20.5 × 98.0 × 70.0 mm	
Weight		170 g	
Environment	Ambient operating temperature	-10 to 50°C	With no icing or condensation
	Ambient operating humidity	20 to 90% RH	
	Storage temperature *	-20 to 65°C	
	Vibration resistance	5.9 m/s ² (0.6G), 10 to 55 Hz	
	Protective structure	IP00	
Encoder feedback		<ul style="list-style-type: none"> Standard encoder pulse number: 1024 pulse/r Max. input pulse number : 200k pulse/s 	
Position command		<ul style="list-style-type: none"> Max. input pulse number : 200k pulse/s 	
Protection function		<ul style="list-style-type: none"> Encoder cable disconnection Error PG Option Unit Connection Error 	

* The storage temperature is the temperature during transportation.

Terminal Arrangement and DIP Switch Setting



Setting the DIP Switch



Slide to the left to turn the switch OFF, and slide to the right to turn the switch ON.

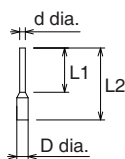
Switch No.	Settings
1	ON Encoder phase A / B, disconnection detection enabled
	OFF Encoder phase A / B, disconnection detection disabled
2	ON Encoder phase Z, disconnection detection enabled
	OFF Encoder phase Z, disconnection detection disabled
3	ON Do not change
	OFF Do not change
4	ON Do not change
	OFF Do not change

Note: All switches are set to OFF as the default setting.

High-function General-purpose Inverters RX2 Series

Wire size and recommended rod terminal shape

Wire size mm ² (AWG)	L1 [mm]	L2 [mm]	d dia. [mm]	D dia. [mm]
0.25 (24)	10.0	14.5	0.8	2.0
0.34 (22)	10.0	14.5	0.8	2.0
0.5 (20)	10.0	16.0	1.1	2.5
0.75 (18)	10.0	16.0	1.3	3.4

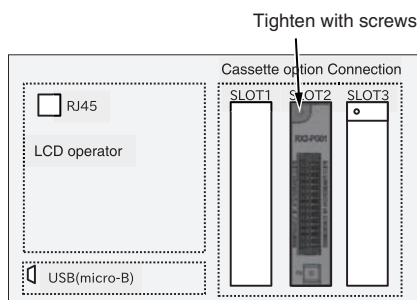


Terminal Functions

Terminal name	Terminal symbol	Functions	Common terminal		Electric specifications	
Input terminal	Pulse train position command input	<ul style="list-style-type: none"> SAP SAN SBP SBN RSA RSB <ul style="list-style-type: none"> Pulse train input procedure MD0: 90° phase difference pulse MD1: Forward/Reverse signal, pulse train MD2: Forward pulse/Reverse pulse Mode settings is made in the pulse train mode selection (ob-11). RSA: Termination resistor ON/OFF terminal between SAP and SAN RSB: Termination resistor ON/OFF terminal between SBP and SBN Termination resistor settings Built-in termination resistor: 150 Ω, switch between enabled and disabled with the wiring RSA, RSB terminals released: Built-in termination resistor disabled RSA-SAN short-circuit, RSB-SBN short-circuit: Built-in termination resistor enabled 			5V DC receiver input (RS-422 compliance)	
	Encoder signal input	<ul style="list-style-type: none"> EAP EAN EBP EBN EZP EZN 	A, B, Z: Rotary encoder signal input			Photo coupler input (Corresponds to the 5V DC line driver output type rotary encoder)
Output terminal	Encoder signal output	<ul style="list-style-type: none"> AP AN BP BN ZP ZN 	Output the encoder signal input. (Pulse ratio 1 : 1)			5V DC line driver output (RS-422 compliance)
	Power supply for encoder	<ul style="list-style-type: none"> EP5 EP12 	<ul style="list-style-type: none"> +5V DC power supply +12V DC power supply 	EG		Total supply capacity of EP5 and EP12 (250 mA max.)
Functional Grounding terminal	FG	Connect to the Functional Grounding connection. (Screw size: M3)				

Installation

Install the unit in SLOT2 and tighten with screws.



Ordering Information

■ System Configuration	37
■ Interpreting Model Numbers	38
■ Ordering Information	
RX2 series Inverter Models	39
Related Options	39
Software.....	55
■ Overview of Inverter Selection	56
■ Related Manuals	60

Sysmac is a trademark or registered trademark of OMRON Corporation in Japan and other countries for OMRON factory automation products.

Windows is either a registered trademark or trademark of Microsoft Corporation in the United States and/or other countries.

EtherCAT® is a registered trademark and patented technology, licensed by Beckhoff Automation GmbH, Germany.

Other company names and product names in this document are the trademarks or registered trademarks of their respective companies.

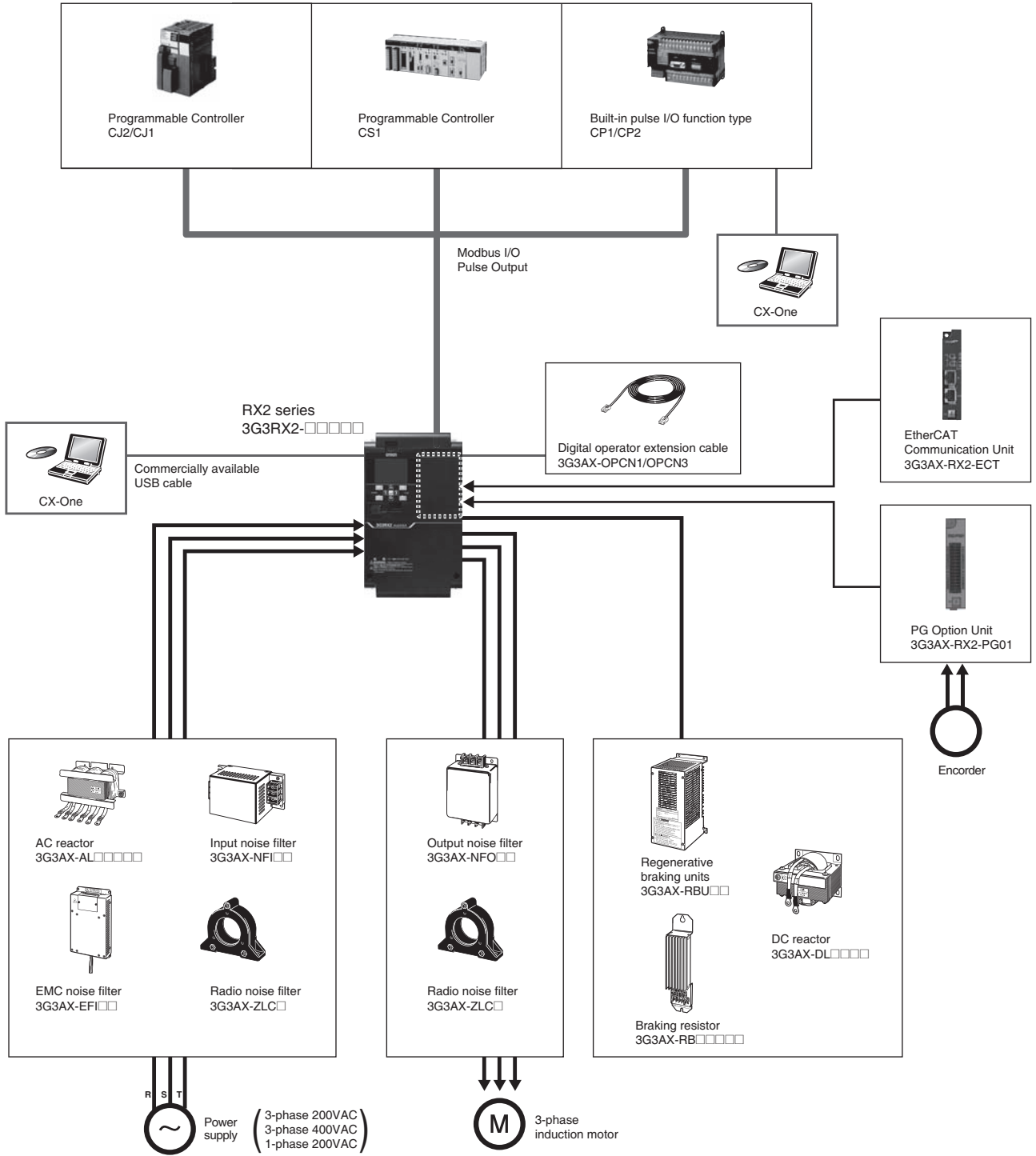
The product photographs and figures that are used in this catalog may vary somewhat from the actual products.

Microsoft product screen shot(s) reprinted with permission from Microsoft Corporation.

Some images are used under license from Shutterstock.com.

High-function General-purpose Inverters RX2 Series

System Configuration



High-function General-purpose Inverters RX2 Series

Interpreting Model Numbers

3G3RX2-A2055

Max. Applicable Motor Capacity Standard Rating (ND)

004	0.4 kW
007	0.75 kW
015	1.5 kW
022	2.2 kW
037	3.7 kW
055	5.5 kW
075	7.5 kW
110	11 kW
150	15 kW
185	18.5 kW
220	22 kW
300	30 kW
370	37 kW
450	45 kW
550	55 kW
750	75 kW
900	90 kW
11K	110 kW
13K	132 kW

Voltage class

2	3-phase 200 VAC (200-V class)
4	3-phase 400 VAC (400-V class)

Enclosure rating

A	IP20/UL open type
B	IP00/UL open type

High-function General-purpose Inverters RX2 Series

Ordering Information

RX2 series Inverter Models

Rated voltage	Enclosure ratings	Max. applicable motor capacity		Model
		Normal Duty (ND)	Low Duty (LD)/ Very Low Duty (VLD)	
3-phase 200 VAC	IP20	0.4 kW	0.75 kW	3G3RX2-A2004
		0.75 kW	1.5 kW	3G3RX2-A2007
		1.5 kW	2.2 kW	3G3RX2-A2015
		2.2 kW	3.7 kW	3G3RX2-A2022
		3.7 kW	5.5 kW	3G3RX2-A2037
		5.5 kW	7.5 kW	3G3RX2-A2055
		7.5 kW	11 kW	3G3RX2-A2075
		11 kW	15 kW	3G3RX2-A2110
		15 kW	18.5 kW	3G3RX2-A2150
		18.5 kW	22 kW	3G3RX2-A2185
		22 kW	30 kW	3G3RX2-A2220
		30 kW	37 kW	3G3RX2-A2300
		37 kW	45 kW	3G3RX2-A2370
		45 kW	55 kW	3G3RX2-A2450
55 kW	75 kW	3G3RX2-A2550		
3-phase 400 VAC	IP20	0.75 kW	1.5 kW	3G3RX2-A4007
		1.5 kW	2.2 kW	3G3RX2-A4015
		2.2 kW	3.7 kW	3G3RX2-A4022
		3.7 kW	5.5 kW	3G3RX2-A4037
		5.5 kW	7.5 kW	3G3RX2-A4055
		7.5 kW	11 kW	3G3RX2-A4075
		11 kW	15 kW	3G3RX2-A4110
		15 kW	18.5 kW	3G3RX2-A4150
		18.5 kW	22 kW	3G3RX2-A4185
		22 kW	30 kW	3G3RX2-A4220
		30 kW	37 kW	3G3RX2-A4300
		37 kW	45 kW	3G3RX2-A4370
		45 kW	55 kW	3G3RX2-A4450
		55 kW	75 kW	3G3RX2-A4550
	IP00	75 kW	90 kW	3G3RX2-B4750
		90 kW	110 kW	3G3RX2-B4900
		110 kW	132 kW	3G3RX2-B411K
		132 kW	160 kW	3G3RX2-B413K

Communication Unit

Name	Model
EtherCAT Communication Unit	3G3AX-RX2-ECT

Related Options

Name	Specifications		Model
Regenerative Braking Units	3-phase 200 VAC	General purpose with Braking resistor	3G3AX-RBU21
		High Regeneration purpose with Braking resistor	3G3AX-RBU22
		General purpose for 30 kW *	3G3AX-RBU23
		General purpose for 55 kW *	3G3AX-RBU24
	3-phase 400 VAC	General purpose with Braking resistor	3G3AX-RBU41
		General purpose for 30 kW *	3G3AX-RBU42
General purpose for 55 kW *		3G3AX-RBU43	
Braking Resistor	Compact type	Resistor 120 W, 180 Ω	3G3AX-RBA1201
		Resistor 120 W, 100 Ω	3G3AX-RBA1202
		Resistor 120 W, 50 Ω	3G3AX-RBA1203
		Resistor 120 W, 35 Ω	3G3AX-RBA1204
	Standard type	Resistor 200 W, 180 Ω	3G3AX-RBB2001
		Resistor 200 W, 100 Ω	3G3AX-RBB2002
		Resistor 300 W, 50 Ω	3G3AX-RBB3001
		Resistor 400 W, 35 Ω	3G3AX-RBB4001
	Medium capacity type	Resistor 400 W, 50 Ω	3G3AX-RBC4001
		Resistor 600 W, 35 Ω	3G3AX-RBC6001
		Resistor 1200 W, 17 Ω	3G3AX-RBC12001

* The braking resistor is optionally required.

High-function General-purpose Inverters RX2 Series

Regenerative Braking Unit and Braking Resistor Combination

Select the combination of the regenerative braking unit(s) and the braking resistor(s) as follows, according to your inverter. If the usage rate exceeds 10% ED, or if you need a torque larger than the approximate braking torque, you need to follow the instruction provided in Braking Resistor Selection.

- Inverter: Select the model of your inverter. The table below assumes that your inverter is used in the heavy load mode and connected to a single motor with the same capacity. Make sure that the approximate braking torque in the table shows the assumed value per a motor with the same capacity at ND mode. When using this inverter at LD or VLD mode, you need to calculate the torque value by dividing VLD by ND.
- Operating conditions: Show the torque during deceleration and the deceleration time (in % ED) calculated as a percentage of the cycle time for 1 cycle of operation including the stop time.
- Braking unit/Braking resistor: Show the required the model and number of units.
- Connection form: Show the configuration of the regenerative braking unit(s) and braking resistor(s) illustrated in the connection form table below.
- Restrictions: Show the maximum deceleration time allowable for the combination shown here and the minimum resistance that can be connected to the inverter's built-in regenerative braking circuit or external regenerative braking unit(s).

Voltage class	Inverter		Operating conditions		Braking unit		Braking resistor		Connection form	Restrictions	
	Max. applicable motor capacity (kW)	Model	%ED (%)	Approximate braking torque (%)	Model	Number of units	Model	Number of units		Allowable continuous braking time(s)	Min. connectable resistance (Ω)
200-V Class	0.4	3G3RX2-A2004	3.0%	220%	Built-in Inverter	---	3G3AX-RBA1201	1	1	20	50
			10.0%	220%		---	3G3AX-RBB2001	1	1	30	50
	0.75	3G3RX2-A2007	3.0%	120%	Built-in Inverter	---	3G3AX-RBA1201	1	1	20	50
			10.0%	120%		---	3G3AX-RBB2001	1	1	30	50
	1.5	3G3RX2-A2015	2.5%	110%	Built-in Inverter	---	3G3AX-RBA1202	1	1	12	35
			10.0%	215%		---	3G3AX-RBC4001	1	1	10	35
	2.2	3G3RX2-A2022	3.0%	150%	Built-in Inverter	---	3G3AX-RBB3001	1	1	30	35
			10.0%	150%		---	3G3AX-RBC4001	1	1	10	35
	3.7	3G3RX2-A2037	3.0%	125%	Built-in Inverter	---	3G3AX-RBB4001	1	1	20	35
			10.0%	125%		---	3G3AX-RBC6001	1	1	10	35
	5.5	3G3RX2-A2055	3.0%	120%	Built-in Inverter	---	3G3AX-RBB3001	2	2	30	16
			10.0%	120%		---	3G3AX-RBC4001	2	2	10	16
	7.5	3G3RX2-A2075	3.0%	125%	Built-in Inverter	---	3G3AX-RBB4001	2	2	20	10
			10.0%	125%		---	3G3AX-RBC6001	2	2	10	10
	11	3G3RX2-A2110	3.0%	125%	Built-in Inverter	---	3G3AX-RBB4001	3	4	20	10
			10.0%	125%		---	3G3AX-RBC6001	3	4	10	10
	15	3G3RX2-A2150	3.0%	130%	Built-in Inverter	---	3G3AX-RBC12001	2	2	10	7.5
			10.0%	130%		---	3G3AX-RBC12001	2	2	10	7.5
	18.5	3G3RX2-A2185	3.0%	105%	Built-in Inverter	---	3G3AX-RBC12001	2	2	10	7.5
			10.0%	105%		---	3G3AX-RBC12001	2	2	10	7.5
	22	3G3RX2-A2220	3.0%	130%	Built-in Inverter	---	3G3AX-RBC12001	3	4	10	5
			10.0%	130%		---	3G3AX-RBC12001	3	4	10	5
	30	3G3RX2-A2300	3.0%	160%	3G3AX-RBU24	1	3G3AX-RBC12001	5	11	10	2
			10.0%	160%	3G3AX-RBU24	1	3G3AX-RBC12001	5	11	10	2
37	3G3RX2-A2370	3.0%	130%	3G3AX-RBU24	1	3G3AX-RBC12001	5	11	10	2	
		10.0%	130%	3G3AX-RBU24	1	3G3AX-RBC12001	5	11	10	2	
45	3G3RX2-A2450	3.0%	130%	3G3AX-RBU24	1	3G3AX-RBC12001	6	12	10	2	
		10.0%	130%	3G3AX-RBU24	1	3G3AX-RBC12001	6	12	10	2	
55	3G3RX2-A2550	3.0%	120%	3G3AX-RBU24	1	3G3AX-RBC12001	7	13	10	2	
		10.0%	120%	3G3AX-RBU24	1	3G3AX-RBC12001	7	13	10	2	

High-function General-purpose Inverters RX2 Series

Inverter		Operating conditions		Braking unit		Braking resistor		Conne- ction form	Restrictions		
Voltage class	Max. applicable motor capacity (kW)	Model	%ED (%)	Approximate braking torque (%)	Model	Number of units	Model		Number of units	Allowable continuous braking time(s)	Min. connectable resistance (Ω)
400-V Class	0.75	3G3RX2-A4007	3.0%	220%	Built-in Inverter	---	3G3AX-RBA1201	2	3	20	100
			10.0%	220%		---	3G3AX-RBB2001	2	3	30	100
	1.5	3G3RX2-A4015	3.0%	120%	Built-in Inverter	---	3G3AX-RBA1201	2	3	20	100
			10.0%	120%		---	3G3AX-RBB2001	2	3	30	100
	2.2	3G3RX2-A4022	2.5%	150%	Built-in Inverter	---	3G3AX-RBA1202	2	3	12	100
			10.0%	220%		---	3G3AX-RBC4001	2	3	10	100
	3.7	3G3RX2-A4037	3.0%	175%	Built-in Inverter	---	3G3AX-RBB3001	2	3	30	70
			10.0%	175%		---	3G3AX-RBC4001	2	3	10	70
	5.5	3G3RX2-A4055	3.0%	120%	Built-in Inverter	---	3G3AX-RBB3001	2	3	30	70
			10.0%	120%		---	3G3AX-RBC4001	2	3	10	70
	7.5	3G3RX2-A4075	3.0%	125%	Built-in Inverter	---	3G3AX-RBB4001	2	3	20	35
			10.0%	125%		---	3G3AX-RBC6001	2	3	10	35
	11	3G3RX2-A4110	3.0%	120%	Built-in Inverter	---	3G3AX-RBB3001	4	5	30	35
			10.0%	120%		---	3G3AX-RBC4001	4	5	10	35
	15	3G3RX2-A4150	3.0%	125%	Built-in Inverter	---	3G3AX-RBB4001	4	5	20	24
			10.0%	125%		---	3G3AX-RBC6001	4	5	10	24
	18.5	3G3RX2-A4185	3.0%	140%	Built-in Inverter	---	3G3AX-RBB3001	8	6	30	24
			10.0%	140%		---	3G3AX-RBC4001	8	6	10	24
	22	3G3RX2-A4220	3.0%	120%	Built-in Inverter	---	3G3AX-RBB3001	8	6	30	20
			10.0%	120%		---	3G3AX-RBC4001	8	6	10	20
	30	3G3RX2-A4300	10.0%	100%	Built-in Inverter	---	3G3AX-RBC12001	4	5	10	15
			10.0%	150%	3G3AX-RBU42	1	3G3AX-RBC12001	6	9	10	10
	37	3G3RX2-A4370	3.0%	100%	Built-in Inverter	---	3G3AX-RBC12001	4	5	10	15
			10.0%	155%	3G3AX-RBU43	1	3G3AX-RBC12001	6	9	10	6
	45	3G3RX2-A4450	3.0%	130%	3G3AX-RBU43	1	3G3AX-RBC12001	6	9	10	6
			10.0%	130%	3G3AX-RBU43	1	3G3AX-RBC12001	6	9	10	6
	55	3G3RX2-A4550	3.0%	140%	3G3AX-RBU43	1	3G3AX-RBC12001	8	10	10	6
			10.0%	140%	3G3AX-RBU43	1	3G3AX-RBC12001	8	10	10	6
75	3G3RX2-B4750	3.0%	130%	3G3AX-RBU43	1	3G3AX-RBC12001	10	14	10	6	
		10.0%	130%	3G3AX-RBU43	1	3G3AX-RBC12001	10	14	10	6	
90	3G3RX2-B4900	3.0%	105%	3G3AX-RBU43	1	3G3AX-RBC12001	10	14	10	6	
		10.0%	105%	3G3AX-RBU43	1	3G3AX-RBC12001	10	14	10	6	
110	3G3RX2-B411K	3.0%	105%	3G3AX-RBU43	2	3G3AX-RBC12001	12	15	10	6	
		10.0%	105%	3G3AX-RBU43	2	3G3AX-RBC12001	12	15	10	6	
132	3G3RX2-B413K	3.0%	115%	3G3AX-RBU43	2	3G3AX-RBC12001	16	16	10	6	
		10.0%	115%	3G3AX-RBU43	2	3G3AX-RBC12001	16	16	10	6	

High-function General-purpose Inverters RX2 Series

Connection configuration

TYPE		
1	1 resistor unit	
2	2 resistor units connected in parallel	
3	2 resistor units connected in series	
4	3 resistor units connected in parallel	
5	2 groups of 2 parallel resistor units are connected in series	
6	2 groups of 4 parallel resistor units are connected in series	

TYPE		
7	1 braking unit and 3 resistor units connected in parallel	
8	1 braking unit and 2 groups of 2 parallel resistor units are connected in series	
9	1 braking unit and 2 groups of 3 parallel resistor units are connected in series	
10	1 braking unit and 2 groups of 4 parallel resistor units are connected in series	

11	1 braking unit and 5 resistor units connected in parallel	
12	1 braking unit and 6 resistor units connected in parallel	
13	1 braking unit and 7 resistor units connected in parallel	

High-function General-purpose Inverters RX2 Series

14	1 braking unit and 2 groups of 5 parallel resistor units are connected in series	<p>Inverter P/+</p> <p>N/-</p> <p>Voltage detection</p> <p>RB Braking unit (Resistor mounted externally)</p>
15	2 braking units and 2 groups of 3 parallel resistor units are each connected in series	<p>Inverter P/+</p> <p>N/-</p> <p>Voltage detection</p> <p>RB Braking unit (Resistor mounted externally)</p> <p>Slave drive cable</p> <p>Voltage detection</p> <p>RB Braking unit (Resistor mounted externally)</p>
16	2 braking units and 2 groups of 4 parallel resistor units are each connected in series	<p>Inverter P/+</p> <p>N/-</p> <p>Voltage detection</p> <p>RB Braking unit (Resistor mounted externally)</p> <p>Slave drive cable</p> <p>Voltage detection</p> <p>RB Braking unit (Resistor mounted externally)</p>

Name	Model
Radio Noise Filter	3G3AX-ZCL2
	3G3AX-ZCL1

High-function General-purpose Inverters RX2 Series

Name	Inverter						Model
	Voltage class	Max. applicable motor capacity [kW]	Model	Load specification selection	Max. applicable motor capacity [kW]	Rated input current [A]	
Input Noise Filter	200-V class	0.4	3G3RX2-A2004	ND	0.4	3.3	3G3AX-NFI21
				LD	0.75	3.9	
				VLD	0.75	3.9	
		0.75	3G3RX2-A2007	ND	0.75	5.5	3G3AX-NFI22
				LD	1.5	7.2	
				VLD	1.5	7.2	
		1.5	3G3RX2-A2015	ND	1.5	8.3	3G3AX-NFI23
				LD	2.2	10.8	
				VLD	2.2	10.8	
		2.2	3G3RX2-A2022	ND	2.2	12	3G3AX-NFI23
				LD	3.7	13.9	
				VLD	3.7	13.9	
		3.7	3G3RX2-A2037	ND	3.7	18	3G3AX-NFI24
				LD	5.5	23	
				VLD	5.5	23	
		5.5	3G3RX2-A2055	ND	5.5	26	3G3AX-NFI25
				LD	7.5	37	
				VLD	7.5	37	
		7.5	3G3RX2-A2075	ND	7.5	35	3G3AX-NFI26
				LD	11	48	
				VLD	11	48	
		11	3G3RX2-A2110	ND	11	51	3G3AX-NFI27
				LD	15	64	
				VLD	15	64	
		15	3G3RX2-A2150	ND	15	70	3G3AX-NFI28
				LD	18.5	80	
				VLD	18.5	80	
		18.5	3G3RX2-A2185	ND	18.5	84	3G3AX-NFI29
				LD	22	94	
				VLD	22	94	
		22	3G3RX2-A2220	ND	22	105	3G3AX-NFI29
				LD	30	120	
				VLD	30	120	
		30	3G3RX2-A2300	ND	30	133	3G3AX-NFI2A
				LD	37	150	
				VLD	37	150	
		37	3G3RX2-A2370	ND	37	160	3G3AX-NFI2B
				LD	45	186	
				VLD	45	186	
		45	3G3RX2-A2450	ND	45	200	3G3AX-NFI2C
				LD	55	240	
				VLD	55	240	
		55	3G3RX2-A2550	ND	55	242	---
				LD	75	280	
				VLD	75	280	

High-function General-purpose Inverters RX2 Series

Name	Inverter						Model
	Voltage class	Max. applicable motor capacity [kW]	Model	Load specification selection	Max. applicable motor capacity [kW]	Rated input current [A]	
Input Noise Filter	400-V class	0.75	3G3RX2-A4007	ND	0.75	2.8	3G3AX-NFI41
				LD	1.5	4.3	
				VLD	1.5	4.3	
		1.5	3G3RX2-A4015	ND	1.5	4.2	3G3AX-NFI42
				LD	2.2	5.9	
				VLD	2.2	5.9	
		2.2	3G3RX2-A4022	ND	2.2	5.8	3G3AX-NFI43
				LD	3.7	8.1	
				VLD	3.7	8.1	
		3.7	3G3RX2-A4037	ND	3.7	9.8	3G3AX-NFI44
				LD	5.5	13.3	
				VLD	5.5	13.3	
		5.5	3G3RX2-A4055	ND	5.5	15	3G3AX-NFI45
				LD	7.5	20	
				VLD	7.5	20	
		7.5	3G3RX2-A4075	ND	7.5	21	3G3AX-NFI46
				LD	11	24	
				VLD	11	24	
		11	3G3RX2-A4110	ND	11	28	3G3AX-NFI47
				LD	15	32	
				VLD	15	32	
		15	3G3RX2-A4150	ND	15	35	3G3AX-NFI48
				LD	18.5	41	
				VLD	18.5	41	
		18.5	3G3RX2-A4185	ND	18.5	42	3G3AX-NFI49
				LD	22	47	
				VLD	22	47	
		22	3G3RX2-A4220	ND	22	53	3G3AX-NFI4A
				LD	30	63	
				VLD	30	63	
30	3G3RX2-A4300	ND	30	64	---		
		LD	37	77			
		VLD	37	77			
37	3G3RX2-A4370	ND	37	83	---		
		LD	45	94			
		VLD	45	94			
45	3G3RX2-A4450	ND	45	100	---		
		LD	55	116			
		VLD	55	116			
55	3G3RX2-A4550	ND	55	121	---		
		LD	75	149			
		VLD	75	149			

High-function General-purpose Inverters RX2 Series

Name	Inverter						Model
	Voltage class	Max. applicable motor capacity [kW]	Model	Load specification selection	Max. applicable motor capacity [kW]	Rated input current [A]	
EMC Noise Filter *	200-V class	0.4	3G3RX2-A2004	ND	0.4	3.3	3G3AX-EFI41
				LD	0.75	3.9	
				VLD	0.75	3.9	
		0.75	3G3RX2-A2007	ND	0.75	5.5	3G3AX-EFI42
				LD	1.5	7.2	
				VLD	1.5	7.2	
		1.5	3G3RX2-A2015	ND	1.5	8.3	3G3AX-EFI43
				LD	2.2	10.8	
				VLD	2.2	10.8	
		2.2	3G3RX2-A2022	ND	2.2	12	3G3AX-EFI43
				LD	3.7	13.9	
				VLD	3.7	13.9	
		3.7	3G3RX2-A2037	ND	3.7	18	3G3AX-EFI44
				LD	5.5	23	
				VLD	5.5	23	
		5.5	3G3RX2-A2055	ND	5.5	26	3G3AX-EFI45
				LD	7.5	37	
				VLD	7.5	37	
		7.5	3G3RX2-A2075	ND	7.5	35	3G3AX-EFI47
				LD	11	48	
				VLD	11	48	
		11	3G3RX2-A2110	ND	11	51	3G3AX-EFI48
				LD	15	64	
				VLD	15	64	
		15	3G3RX2-A2150	ND	15	70	3G3AX-EFI49
				LD	18.5	80	
				VLD	18.5	80	
		18.5	3G3RX2-A2185	ND	18.5	84	3G3AX-EFI4A
				LD	22	94	
				VLD	22	94	
22	3G3RX2-A2220	ND	22	105	3G3AX-EFI4A		
		LD	30	120			
		VLD	30	120			
30	3G3RX2-A2300	ND	30	133	3G3AX-EFI4B		
		LD	37	150			
		VLD	37	150			
37	3G3RX2-A2370	ND	37	160	---		
		LD	45	186			
		VLD	45	186			

* Although an EMC Noise Filter is built into the RX2, it may be necessary to provide another EMC Noise Filter when the cable between the Motor and the Inverter is long.

High-function General-purpose Inverters RX2 Series

Name	Inverter						Model
	Voltage class	Max. applicable motor capacity [kW]	Model	Load specification selection	Max. applicable motor capacity [kW]	Rated input current [A]	
EMC Noise Filter *	400-V class	0.75	3G3RX2-A4007	ND	0.75	2.8	3G3AX-EFI41
				LD	1.5	4.3	
				VLD	1.5	4.3	
		1.5	3G3RX2-A4015	ND	1.5	4.2	3G3AX-EFI42
				LD	2.2	5.9	
				VLD	2.2	5.9	
		2.2	3G3RX2-A4022	ND	2.2	5.8	3G3AX-EFI43
				LD	3.7	8.1	
				VLD	3.7	8.1	
		3.7	3G3RX2-A4037	ND	3.7	9.8	3G3AX-EFI44
				LD	5.5	13.3	
				VLD	5.5	13.3	
		5.5	3G3RX2-A4055	ND	5.5	15	3G3AX-EFI45
				LD	7.5	20	
				VLD	7.5	20	
		7.5	3G3RX2-A4075	ND	7.5	21	3G3AX-EFI46
				LD	11	24	
				VLD	11	24	
		11	3G3RX2-A4110	ND	11	28	3G3AX-EFI47
				LD	15	32	
				VLD	15	32	
		15	3G3RX2-A4150	ND	15	35	3G3AX-EFI48
				LD	18.5	41	
				VLD	18.5	41	
		18.5	3G3RX2-A4185	ND	18.5	42	3G3AX-EFI49
				LD	22	47	
				VLD	22	47	
		22	3G3RX2-A4220	ND	22	53	3G3AX-EFI4A
				LD	30	63	
				VLD	30	63	
		30	3G3RX2-A4300	ND	30	64	3G3AX-EFI4B
				LD	37	77	
				VLD	37	77	
		37	3G3RX2-A4370	ND	37	83	---
				LD	45	94	
				VLD	45	94	
45	3G3RX2-A4450	ND	45	100	---		
		LD	55	116			
		VLD	55	116			
55	3G3RX2-A4550	ND	55	121	---		
		LD	75	149			
		VLD	75	149			
75	3G3RX2-B4750	ND	75	164	---		
		LD	90	176			
		VLD	90	176			
90	3G3RX2-B4900	ND	90	194	---		
		LD	110	199			
		VLD	110	199			

* Although an EMC Noise Filter is built into the RX2, it may be necessary to provide another EMC Noise Filter when the cable between the Motor and the Inverter is long.

High-function General-purpose Inverters RX2 Series

Name	Inverter						Model
	Voltage class	Max. applicable motor capacity [kW]	Model	Load specification selection	Max. applicable motor capacity [kW]	Rated input current [A]	
Output Noise Filter	200-V class	0.4	3G3RX2-A2004	ND	0.4	3	3G3AX-NFO01
				LD	0.75	3.7	
				VLD	0.75	3.7	
		0.75	3G3RX2-A2007	ND	0.75	5	3G3AX-NFO02
				LD	1.5	6.3	
				VLD	1.5	6.3	
		1.5	3G3RX2-A2015	ND	1.5	7.5	3G3AX-NFO02
				LD	2.2	9.4	
				VLD	2.2	9.4	
		2.2	3G3RX2-A2022	ND	2.2	10.5	3G3AX-NFO03
				LD	3.7	12	
				VLD	3.7	12	
		3.7	3G3RX2-A2037	ND	3.7	16.5	3G3AX-NFO03
				LD	5.5	19.6	
				VLD	5.5	19.6	
		5.5	3G3RX2-A2055	ND	5.5	24	3G3AX-NFO04
				LD	7.5	30	
				VLD	7.5	30	
		7.5	3G3RX2-A2075	ND	7.5	32	3G3AX-NFO04
				LD	11	44	
				VLD	11	44	
		11	3G3RX2-A2110	ND	11	46	3G3AX-NFO05
				LD	15	58	
				VLD	15	58	
		15	3G3RX2-A2150	ND	15	64	3G3AX-NFO06
				LD	18.5	73	
				VLD	18.5	73	
		18.5	3G3RX2-A2185	ND	18.5	76	3G3AX-NFO06
				LD	22	85	
				VLD	22	85	
22	3G3RX2-A2220	ND	22	95	3G3AX-NFO07		
		LD	30	113			
		VLD	30	113			
30	3G3RX2-A2300	ND	30	121	3G3AX-NFO07		
		LD	37	140			
		VLD	37	140			
37	3G3RX2-A2370	ND	37	145	---		
		LD	45	169			
		VLD	45	169			

High-function General-purpose Inverters RX2 Series

Name	Inverter						Model
	Voltage class	Max. applicable motor capacity [kW]	Model	Load specification selection	Max. applicable motor capacity [kW]	Rated input current [A]	
Output Noise Filter	400-V class	0.75	3G3RX2-A4007	ND	0.75	2.5	3G3AX-NFO01
				LD	1.5	3.1	
				VLD	1.5	3.1	
		1.5	3G3RX2-A4015	ND	1.5	3.8	3G3AX-NFO02
				LD	2.2	4.8	
				VLD	2.2	4.8	
		2.2	3G3RX2-A4022	ND	2.2	5.3	3G3AX-NFO03
				LD	3.7	6.7	
				VLD	3.7	6.7	
		3.7	3G3RX2-A4037	ND	3.7	9	3G3AX-NFO04
				LD	5.5	11.1	
				VLD	5.5	11.1	
		5.5	3G3RX2-A4055	ND	5.5	14	3G3AX-NFO05
				LD	7.5	16	
				VLD	7.5	16	
		7.5	3G3RX2-A4075	ND	7.5	19	3G3AX-NFO06
				LD	11	22	
				VLD	11	22	
		11	3G3RX2-A4110	ND	11	25	3G3AX-NFO07
				LD	15	29	
				VLD	15	29	
		15	3G3RX2-A4150	ND	15	32	---
				LD	18.5	37	
				VLD	18.5	37	
		18.5	3G3RX2-A4185	ND	18.5	38	---
				LD	22	43	
				VLD	22	43	
		22	3G3RX2-A4220	ND	22	48	---
				LD	30	57	
				VLD	30	57	
30	3G3RX2-A4300	ND	30	58	---		
		LD	37	70			
		VLD	37	70			
37	3G3RX2-A4370	ND	37	75	---		
		LD	45	85			
		VLD	45	85			
45	3G3RX2-A4450	ND	45	91	---		
		LD	55	105			
		VLD	55	105			
55	3G3RX2-A4550	ND	55	112	---		
		LD	75	135			
		VLD	75	135			
75	3G3RX2-B4750	ND	75	149	---		
		LD	90	160			
		VLD	90	160			

High-function General-purpose Inverters RX2 Series

Name	Inverter						Model
	Voltage class	Max. applicable motor capacity [kW]	Model	Load specification selection	Max. applicable motor capacity [kW]	Rated input current [A]	
DC Reactor	200-V class	0.4	3G3RX2-A2004	ND	0.4	3.3	3G3AX-DL2004
				LD	0.75	3.9	3G3AX-DL2007
				VLD	0.75	3.9	
		0.75	3G3RX2-A2007	ND	0.75	5.5	3G3AX-DL2015
				LD	1.5	7.2	
				VLD	1.5	7.2	
		1.5	3G3RX2-A2015	ND	1.5	8.3	3G3AX-DL2022
				LD	2.2	10.8	
				VLD	2.2	10.8	
		2.2	3G3RX2-A2022	ND	2.2	12	3G3AX-DL2037
				LD	3.7	13.9	
				VLD	3.7	13.9	
		3.7	3G3RX2-A2037	ND	3.7	18	3G3AX-DL2055
				LD	5.5	23	
				VLD	5.5	23	
		5.5	3G3RX2-A2055	ND	5.5	26	3G3AX-DL2075
				LD	7.5	37	
				VLD	7.5	37	
		7.5	3G3RX2-A2075	ND	7.5	35	3G3AX-DL2110
				LD	11	48	
				VLD	11	48	
		11	3G3RX2-A2110	ND	11	51	3G3AX-DL2150
				LD	15	64	
				VLD	15	64	
		15	3G3RX2-A2150	ND	15	70	3G3AX-DL2220
				LD	18.5	80	
				VLD	18.5	80	
		18.5	3G3RX2-A2185	ND	18.5	84	3G3AX-DL2300
				LD	22	94	
				VLD	22	94	
		22	3G3RX2-A2220	ND	22	105	3G3AX-DL2370
				LD	30	120	
				VLD	30	120	
		30	3G3RX2-A2300	ND	30	133	3G3AX-DL2450
				LD	37	150	
				VLD	37	150	
		37	3G3RX2-A2370	ND	37	160	3G3AX-DL2550
				LD	45	186	
				VLD	45	186	
		45	3G3RX2-A2450	ND	45	200	---
				LD	55	240	
				VLD	55	240	
		55	3G3RX2-A2550	ND	55	242	---
				LD	75	280	
				VLD	75	280	

High-function General-purpose Inverters RX2 Series

Name	Inverter						Model
	Voltage class	Max. applicable motor capacity [kW]	Model	Load specification selection	Max. applicable motor capacity [kW]	Rated input current [A]	
DC Reactor	400-V class	0.75	3G3RX2-A4007	ND	0.75	2.8	3G3AX-DL4007
				LD	1.5	4.3	3G3AX-DL4015
				VLD	1.5	4.3	
		1.5	3G3RX2-A4015	ND	1.5	4.2	3G3AX-DL4022
				LD	2.2	5.9	
				VLD	2.2	5.9	
		2.2	3G3RX2-A4022	ND	2.2	5.8	3G3AX-DL4037
				LD	3.7	8.1	
				VLD	3.7	8.1	
		3.7	3G3RX2-A4037	ND	3.7	9.8	3G3AX-DL4055
				LD	5.5	13.3	
				VLD	5.5	13.3	
		5.5	3G3RX2-A4055	ND	5.5	15	3G3AX-DL4075
				LD	7.5	20	
				VLD	7.5	20	
		7.5	3G3RX2-A4075	ND	7.5	21	3G3AX-DL4110
				LD	11	24	
				VLD	11	24	
		11	3G3RX2-A4110	ND	11	28	3G3AX-DL4150
				LD	15	32	
				VLD	15	32	
		15	3G3RX2-A4150	ND	15	35	3G3AX-DL4220
				LD	18.5	41	
				VLD	18.5	41	
		18.5	3G3RX2-A4185	ND	18.5	42	3G3AX-DL4220
				LD	22	47	
				VLD	22	47	
		22	3G3RX2-A4220	ND	22	53	3G3AX-DL4300
				LD	30	63	
				VLD	30	63	
30	3G3RX2-A4300	ND	30	64	3G3AX-DL4370		
		LD	37	77			
		VLD	37	77			
37	3G3RX2-A4370	ND	37	83	3G3AX-DL4450		
		LD	45	94			
		VLD	45	94			
45	3G3RX2-A4450	ND	45	100	3G3AX-DL4550		
		LD	55	116			
		VLD	55	116			
55	3G3RX2-A4550	ND	55	121	---		
		LD	75	149			
		VLD	75	149			

High-function General-purpose Inverters RX2 Series

Name	Inverter						Model		
	Voltage class	Max. applicable motor capacity [kW]	Model	Load specification selection	Max. applicable motor capacity [kW]	Rated input current [A]			
AC Reactor	200-V class	0.4	3G3RX2-A2004	ND	0.4	3.3	3G3AX-AL2025		
				LD	0.75	3.9			
				VLD	0.75	3.9			
		0.75	3G3RX2-A2007	ND	0.75	5.5		3G3AX-AL2055	
				LD	1.5	7.2			
				VLD	1.5	7.2			
		1.5	3G3RX2-A2015	ND	1.5	8.3			3G3AX-AL2110
				LD	2.2	10.8			
				VLD	2.2	10.8			
		2.2	3G3RX2-A2022	ND	2.2	12	3G3AX-AL2220		
				LD	3.7	13.9			
				VLD	3.7	13.9			
		3.7	3G3RX2-A2037	ND	3.7	18		3G3AX-AL2330	
				LD	5.5	23			
				VLD	5.5	23			
		5.5	3G3RX2-A2055	ND	5.5	26			3G3AX-AL2500
				LD	7.5	37			
				VLD	7.5	37			
		7.5	3G3RX2-A2075	ND	7.5	35	3G3AX-AL2750		
				LD	11	48			
				VLD	11	48			
		11	3G3RX2-A2110	ND	11	51		---	
				LD	15	64			
				VLD	15	64			
		15	3G3RX2-A2150	ND	15	70			---
				LD	18.5	80			
				VLD	18.5	80			
		18.5	3G3RX2-A2185	ND	18.5	84	---		
				LD	22	94			
				VLD	22	94			
		22	3G3RX2-A2220	ND	22	105		---	
				LD	30	120			
				VLD	30	120			
		30	3G3RX2-A2300	ND	30	133			---
				LD	37	150			
				VLD	37	150			
37	3G3RX2-A2370	ND	37	160	---				
		LD	45	186					
		VLD	45	186					
45	3G3RX2-A2450	ND	45	200		---			
		LD	55	240					
		VLD	55	240					
55	3G3RX2-A2550	ND	55	242			---		
		LD	75	280					
		VLD	75	280					

High-function General-purpose Inverters RX2 Series

Name	Inverter						Model
	Voltage class	Max. applicable motor capacity [kW]	Model	Load specification selection	Max. applicable motor capacity [kW]	Rated input current [A]	
AC Reactor	400-V class	0.75	3G3RX2-A4007	ND	0.75	2.8	3G3AX-AL4025
				LD	1.5	4.3	
				VLD	1.5	4.3	
		1.5	3G3RX2-A4015	ND	1.5	4.2	3G3AX-AL4055
				LD	2.2	5.9	
				VLD	2.2	5.9	
		2.2	3G3RX2-A4022	ND	2.2	5.8	3G3AX-AL4055
				LD	3.7	8.1	
				VLD	3.7	8.1	
		3.7	3G3RX2-A4037	ND	3.7	9.8	3G3AX-AL4110
				LD	5.5	13.3	
				VLD	5.5	13.3	
		5.5	3G3RX2-A4055	ND	5.5	15	3G3AX-AL4110
				LD	7.5	20	
				VLD	7.5	20	
		7.5	3G3RX2-A4075	ND	7.5	21	3G3AX-AL4220
				LD	11	24	
				VLD	11	24	
		11	3G3RX2-A4110	ND	11	28	3G3AX-AL4220
				LD	15	32	
				VLD	15	32	
		15	3G3RX2-A4150	ND	15	35	3G3AX-AL4330
				LD	18.5	41	
				VLD	18.5	41	
		18.5	3G3RX2-A4185	ND	18.5	42	3G3AX-AL4330
				LD	22	47	
				VLD	22	47	
		22	3G3RX2-A4220	ND	22	53	3G3AX-AL4500
				LD	30	63	
				VLD	30	63	
30	3G3RX2-A4300	ND	30	64	3G3AX-AL4500		
		LD	37	77			
		VLD	37	77			
37	3G3RX2-A4370	ND	37	83	3G3AX-AL4750		
		LD	45	94			
		VLD	45	94			
45	3G3RX2-A4450	ND	45	100	3G3AX-AL4750		
		LD	55	116			
		VLD	55	116			
55	3G3RX2-A4550	ND	55	121	---		
		LD	75	149			
		VLD	75	149			




High-function General-purpose Inverters RX2 Series

Name	Specifications	Model
PG Option Unit	For Position or Frequency Control	3G3AX-RX2-PG01
Digital Operator Connecting Cable	RJ45 connector, EIA568-compliant cable (UTP category 5), Cable Length 1 m	3G3AX-OPCN1
	RJ45 connector, EIA568-compliant cable (UTP category 5), Cable Length 3 m	3G3AX-OPCN3

Recommended EtherCAT Communications Cables

Use a straight STP (shielded twisted-pair) cable of category 5 or higher with double shielding (aluminum tape and braiding) for EtherCAT.

Cable with Connectors

Item	Recommended manufacturer	Cable length (m)	Model
Wire gauge and number of pairs: AWG26, 4-pair cable Cable sheath material: PUR 	OMRON	0.3	XS6W-6PUR8SS30CM-YF
		0.5	XS6W-6PUR8SS50CM-YF
		1	XS6W-6PUR8SS100CM-YF
		2	XS6W-6PUR8SS200CM-YF
		3	XS6W-6PUR8SS300CM-YF
		5	XS6W-6PUR8SS500CM-YF
Wire gauge and number of pairs: AWG22, 2-pair cable 	OMRON	0.3	XS5W-T421-AMD-K
		0.5	XS5W-T421-BMD-K
		1	XS5W-T421-CMD-K
		2	XS5W-T421-DMD-K
		5	XS5W-T421-GMD-K
		10	XS5W-T421-JMD-K
Cable with Connectors on Both Ends (M12 Straight/RJ45) Shield strengthening connector cable *3 M12/Smartclick connector and rugged RJ45 plug Cable color: Black 	OMRON	0.5	XS5W-T421-BMC-SS
		1	XS5W-T421-CMC-SS
		2	XS5W-T421-DMC-SS
		3	XS5W-T421-EMC-SS
		5	XS5W-T421-GMC-SS
		10	XS5W-T421-JMC-SS

*1. Cables with standard RJ45 plugs are available in the following lengths: 0.2 m, 0.3 m, 0.5 m, 1 m, 1.5 m, 2 m, 3 m, 5 m, 7.5 m, 10 m, 15 m, 20 m.

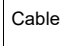

Cables with rugged RJ45 plugs are available in the following lengths: 0.3 m, 0.5 m, 1 m, 2 m, 3 m, 5 m, 10 m, 15 m.

For details, refer to the *Industrial Ethernet Connectors Catalog* (Cat. No. G019).

*2. Cable colors are available in yellow, green, and blue.

*3. For details, contact your OMRON representative.

Cables/Connectors

Item	Recommended manufacturer	Model
Wire gauge and number of pairs: AWG24, 4-pair cable 	Hitachi Metals, Ltd.	NETSTAR-C5E SAB0.5x4P CP *1
	Kuramo Electric Co.	KETH-SB *1
Wire gauge and number of pairs: AWG22, 2-pair cable 	Panduit Corporation	MPS588-C *1
	Kuramo Electric Co.	KETH-PSB-OMR *2
	JMACS Japan Co., Ltd.	PNET/B *2
	OMRON	XS6G-T421-1 *2

*1. We recommend you to use the above Cable and RJ45 Connector together.

*2. We recommend you to use the above Cable and RJ45 Assembly Connector together.

High-function General-purpose Inverters RX2 Series

Software

How to Select Required Support Software for Your Controller

The required Support Software depends on the Controller to connect. Please check the following table when purchasing the Support Software.

Item	Omron PLC System	Omron Machine Automation Controller System
Controller	CS, CJ, CP, and other series	NJ series
Inverter	Inverter RX2-series	Inverter RX2-series with EtherCAT Communication Unit 3G3AX-RX2-ECT
Software	FA Integrated Tool Package CX-One (CX-Drive: Version 3.00 or higher)	Automation Software Sysmac Studio (Version 1.47 or higher)

FA Integrated Tool Package CX-One

Product name	Specifications	Specifications		Model
		Number of licenses	Media	
FA Integrated Tool Package CX-One Ver.4.□	The CX-One is a comprehensive software package that integrates Support Software for OMRON PLCs and components. CX-One Version 4.□ includes CX-Drive Ver.3.□.	1 license *1	DVD	CXONE-AL01D-V4

*1. Multi licenses are available for the CX-One (3, 10, 30, or 50 licenses).

Note: 1. For details, refer to the CX-One Catalog (Cat. No. R134), visit your local OMRON website.
2. The RX2-series is supported by CX-Drive version 3.00 or higher.

Automation Software Sysmac Studio

The Sysmac Studio is the software that provides an integrated environment for setting, programming, debugging and maintenance of machine automation controllers including the NJ/NX-series CPU Units, NY-series Industrial PC, EtherCAT Slave, and the HMI.

For details, refer to your local OMRON website and Sysmac Studio Catalog (Cat. No. P138).

Note: The RX-series with EtherCAT Communication Unit 3G3AX-RX2-ECT version 1.0 or later is supported by Sysmac Studio version 1.47 or higher.

High-function General-purpose Inverters RX2 Series

Overview of Inverter Selection

For detail of Inverter selection, refer to the RX2 series User's Manual. (Man.No.I620).

Motor Capacity Selection

Before selecting an inverter, first the motor should be chosen. In selecting the motor, first calculate the load inertia for the applications, and then calculate the required capacity and torque.

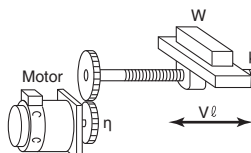
Make a simple selection (use Formulas for the required output power)

This method of calculation helps select a motor by calculating the output (W) required by the motor to maintain its regular rotations. It does not include calculation of the effect of acceleration/deceleration. Therefore, make allowance for the calculated value to select a motor. This calculation method can be applied to applications that operate constantly such as fans, conveyers, agitators etc.

This calculation method must not be applied to the following applications:

- Those requiring instant start-up.
- Those that frequently repeat operation and stop.
- Those that have a large inertia at the power transfer part.
- Those that have an inefficient power transfer part.

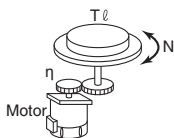
For Straight-Line Operation: Normal Power PO (kW)



$$P_o = \frac{\mu \cdot W \cdot V \ell}{6120 \cdot \eta}$$

μ : Friction Coefficient
 W : Mass of Straight-Line travelling part (kg)
 $V \ell$: Speed of Straight-Line Travelling part (m/min)
 η : Decelerator (Transfer part) Efficiency

For Rotating Operation: Normal Power PO (kW)



$$P_o \text{ (kW)} = \frac{2\pi \cdot T_l \cdot N_l}{60 \cdot \eta} \times 10^{-3}$$

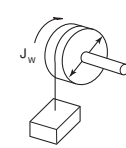
T_l : Load Torque (Load Shaft) (N·m)
 N_l : Load Shaft Rotation Speed (r/min)
 η : Transfer part ($\eta \leq 1$)

Detailed Selection Method (R.M.S Algorithm)

This method helps to select a motor by calculating the effective torque and maximum torque required to achieve a certain pattern of operation for the application. It selects a motor that is optimal for a particular operation pattern.

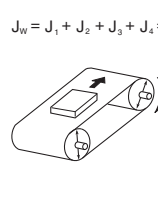
Calculate the inertia with a Motor Shaft Conversion Value

Calculate inertias of all the components with the formula for inertia calculation shown below to convert them to a motor conversion value.



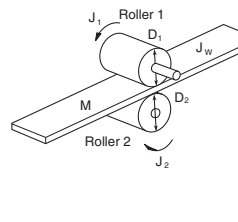
$$J_w = J_1 + J_2 = \left(\frac{M_1 \cdot D^2}{8} + \frac{M_2 \cdot D^2}{4} \right) \times 10^{-6} \text{ (kg·m}^2\text{)}$$

J_w : Inertia (kg·m²)
 J_1 : Cylinder Inertia (kg·m²)
 J_2 : Inertia from Object (kg·m²)
 D : Diameter (mm)
 M_1 : Mass of Cylinder 1 (kg)
 M_2 : Mass of Object (kg)



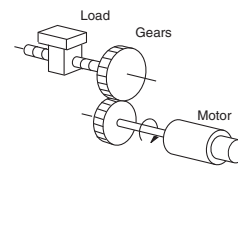
$$J_w = J_1 + J_2 + J_3 + J_4 = \left(\frac{M_1 \cdot D_1^2}{8} + \frac{M_2 \cdot D_2^2}{8} \cdot \frac{D_2^2}{D_1^2} + \frac{M_3 \cdot D_1^2}{4} + \frac{M_4 \cdot D_1^2}{4} \right) \times 10^{-6} \text{ (kg·m}^2\text{)}$$

J_w : Inertia (kg·m²)
 J_1 : Cylinder 1 Inertia (kg·m²)
 J_2 : Inertia from Cylinder 2 (kg·m²)
 J_3 : Inertia from Object (kg·m²)
 J_4 : Inertia from Belt (kg·m²)
 D_1 : Cylinder 1 Diameter (mm)
 D_2 : Cylinder 2 Diameter (mm)
 M_1 : Mass of Cylinder 1 (kg)
 M_2 : Mass of Cylinder 2 (kg)
 M_3 : Mass of Object (kg)
 M_4 : Mass of Belt (kg)



$$J_w = J_1 + \left(\frac{D_1}{D_2} \right)^2 J_2 + \frac{M \cdot D_1^2}{4} \times 10^{-6} \text{ (kg·m}^2\text{)}$$

J_w : System Inertia (kg·m²)
 J_1 : Roller 1 Inertia (kg·m²)
 J_2 : Roller 2 Inertia (kg·m²)
 D_1 : Roller 1 Diameter (mm)
 D_2 : Roller 2 Diameter (mm)
 M : Work Equivalent Mass (kg)



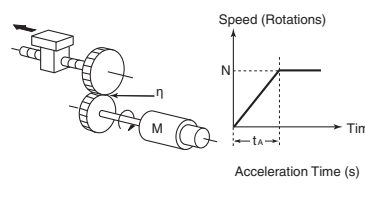
$$J_L = J_1 + G^2 (J_2 + J_w) \text{ (kg·m}^2\text{)}$$

J_L : Load Inertia of Motor Shaft Conversion (kg·m²)
 J_w : Load Inertia (kg·m²)
 J_1 : Gear Inertia on Motor Side (kg·m²)
 J_2 : Gear Inertia on Load Side (kg·m²)
 Z_1 : Number of Gear Teeth on Motor Side
 Z_2 : Number of Gear Teeth on Load Side
 Gear Ratio $G = Z_1/Z_2$

Calculate Motor Shaft Conversion Torque and Effective Torque

Calculate the acceleration torque from the load torque calculated from both the motor shaft conversion value and the motor rotor inertia. Then Combine this acceleration torque and the Load torque calculated from the friction force and the external force that are applied to the load. Now you get the required torque to operate a motor.

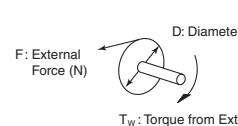
Acceleration Torque



$$T_A = \frac{2\pi N}{60 t_A} \left(J_M + \frac{J_L}{\eta} \right) \text{ (N·m)}$$

T_A : Acceleration/Deceleration Torque (N·m)
 J_L : Motor Shaft Conversion Load Inertia (kg·m²)
 J_M : Inertia of Motor Itself (kg·m²)
 η : Gear Transmission Efficiency
 N : Motor Rotation Speed (r/min)

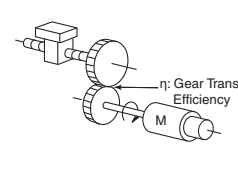
Motor Shaft Conversion Load Torque (External Force/Friction)



$$T_w = F \cdot \frac{D}{2} \times 10^{-3} \text{ (N·m)}$$

F : External Force (N)
 D : Diameter (mm)
 T_w : Torque from External Force (N·m)

(Friction is generally,
 $F = \mu W$ μ : Friction Coefficient
 W : Mass of Moving Part)



$$T_L = T_w \cdot \frac{G}{\eta} \text{ (N·m)}$$

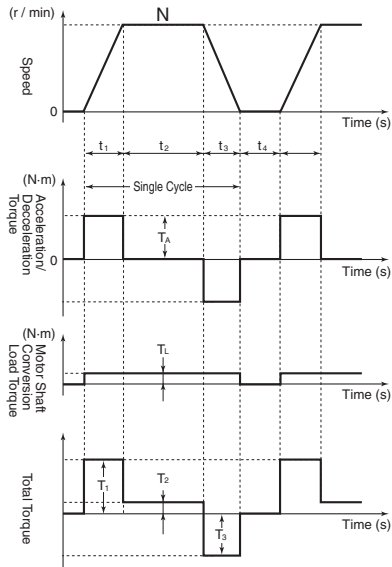
T_t : Motor Shaft Conversion Load Torque (N·m)
 T_w : Load Torque (N·m)
 Z_1 : Number of Gear Teeth on Motor Side
 Z_2 : Number of Gear Teeth on Load Side
 Gear (Deceleration) Ratio $G = Z_1/Z_2$

Calculation of Total Torque and Effective Torque

Effective Torque: T_{RMS} (N·m)

$$= \sqrt{\frac{\sum (T_i)^2 \cdot t_i}{\sum t_i}} = \sqrt{\frac{T_1^2 \cdot t_1 + T_2^2 \cdot t_2 + T_3^2 \cdot t_3 + T_4^2 \cdot t_4}{t_1 + t_2 + t_3 + t_4}}$$

Maximum Torque: $T_{MAX} = T_1 = T_A + T_L$



Note: Please make use of the Servo Motor selection software, which can calculate the motor shaft conversion inertia and effective/maximum torque, as above.

Motor Selection

Use the formula below to calculate the motor capacity from the effective torque and the maximum torque that were obtained above. Select the larger of the two generated values as the motor capacity. Select a motor the capacity of which is larger than the calculated value and makes allowance for an error.

Motor Capacity corresponding to Effective Torque

$$\text{Motor Capacity (kW)} = 1.048 \cdot N \cdot T_{RMS} \cdot 10^{-4}$$

N: Maximum Rotations (r/min)

Motor Capacity capable of Providing Maximum Torque

$$\text{Motor Capacity (kW)} = 1.048 \cdot N \cdot T_{MAX} \cdot 10^{-4} / 1.5$$

N: Maximum Rotations (r/min)

Inverter Capacity Selection

Select an inverter that can be used for the selected motor in the process of "Motor Selection".

Generally, select an inverter which fits the maximum applicable motor capacity of the selected motor.

After selecting an inverter, check if it meets with all of the following conditions. If it does not, select an inverter that has a one class larger capacity and check the feasibility again.

Motor Rated Current ≤ Inverter Rated Output Current
Maximum Time of Continuous Torque Output Time in an Application ≤ 1 minute

- Note:**
1. Where the inverter overload capacity is "120% of Rated Output Current for 1 minute", check it for 0.8 minute.
 2. Where a 0 Hz sensor-less vector control is being used, or where torque must be maintained for 0 (r/min) rotation speed and where 150% of the rated torque is frequently required, use an inverter which is one rank larger than the one selected by the above method.

Outline of Braking Resistor Selection

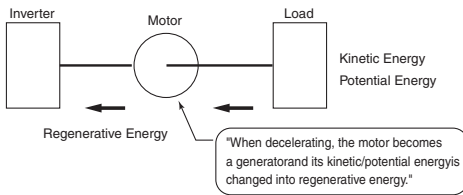
Importance of Braking Resistor

If the regenerative energy generated in deceleration or descent in an application is too great, the main circuit of an inverter may have an increased voltage and it may be damaged.

Because the inverter usually contains the overvoltage LAD stop function, it is not actually damaged. However, the motor stops detecting an error, making a stable and continuous operation disabled. Therefore, you must discharge the regenerative energy outside of the inverter.

What is Regenerative Energy?

A load connected to a motor has kinetic energy when rotating, and potential energy when it is located in a high position. When the motor decelerates, or when the load descends, the energy is returned to an inverter. It is known as regeneration, and the energy generated by the phenomenon is known as regenerative energy.



Preventing Braking Resistance

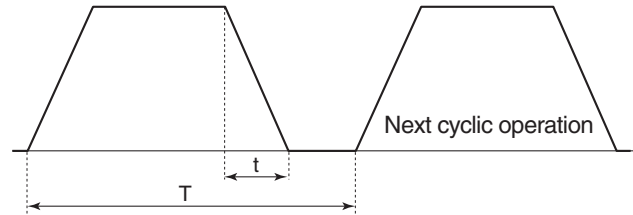
The following are methods to prevent the connection of braking resistance.

These methods will make the deceleration time increase, so check if it will not cause problems.

- Enable the deceleration stall prevention (enabled in factory settings) (It will automatically increase deceleration time not to cause an overvoltage to stop the motor).
- Set a longer deceleration time. (Cause the regenerative energy to decrease per unit of time.)
- Disable Free-Run. (Prevent the regenerative energy from returning to an inverter.)

Make a Simple Selection for Braking Resistors

It can be a simple selecting method by using the ratio of time in which regenerative energy is produced in a normal operating pattern. Calculate the usage ratio from the following operating pattern.



$$\text{Usage Rate} = t/T \times 100 (\% \text{ ED})$$

t : Deceleration Time (Regenerative Time)

T : Single Cycle Operation Time

%ED is the unit used for a usage rate.

The usage rate is used as the ratio of deceleration time (regenerative operation time) to simplify the selection of the braking options.

For Models with a Built-in Braking Circuit

(3G3RX2 200 V with a capacity of 22 kW or lower, 3G3RX2 400 V with a capacity of 37 kW or lower)

Select the braking resistor based on the usage rate calculated from the operation patterns.

Refer to the braking resistor list described in the User's manual and catalog, and connect it according to your Inverter.

For Models without a Built-in Braking Circuit

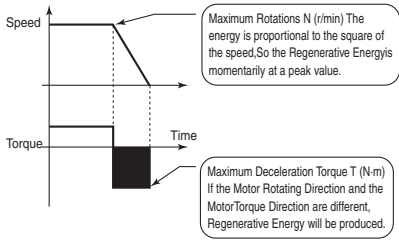
(3G3RX2 200 V with a capacity of 30 kW or higher, 3G3RX2 400 V with a capacity of 45 kW or higher)

Select the regenerative braking unit and the braking resistor.

Refer to the regenerative braking unit and braking resistor lists described in the User's manual and catalog, and connect them according to your Inverter.

When the usage ratio for the braking resistor selected on the previous page exceeds 10% ED, or when an extremely large braking torque is required, use the method below to calculate a regenerative energy and make your selection.

Calculation of Required Braking Resistor



$$\text{Breaking Resistance Resistor: } R \leq \frac{V^2}{1.048 \times (T - 0.2 \times T_m) \times N \times 10^{-1}}$$

V: 200V class inverter 385 (V)

400V class inverter 760 (V)

T: Maximum Braking Torque (N·m)

T_m: Motor Rated Torque (N·m)

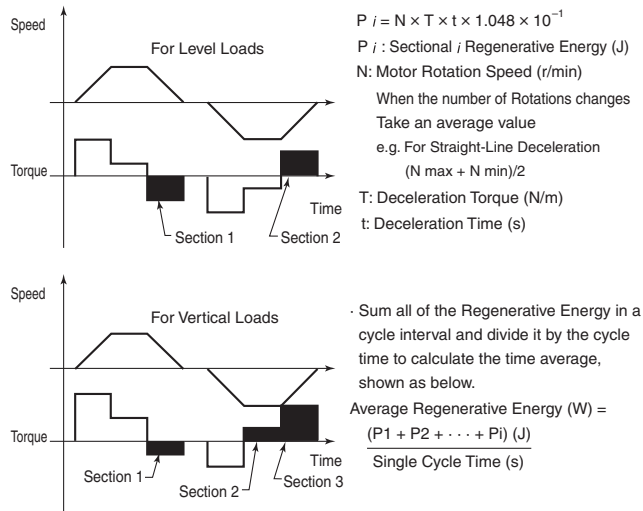
N: Maximum Rotation Speed (r/min)

Note: Calculate a braking torque using the above "Motor Capacity Selection".

Calculation of Average Regenerative Energy

Regenerative Energy is produced when the motor rotation direction and the torque direction are opposite.

Use the following formula to calculate a regenerative energy per cycle interval.



- Note:**
1. Forward rotation direction is forward for the speed, and the torque in the forward rotation direction is forward for the torque.
 2. Calculate a braking torque using the above "Motor Capacity Selection".

Braking Resistor Selection

Select a Braking Resistor from the required braking resistance and average regenerative energy on the left.

- Required Braking Resistance \geq Resistance of Braking Resistor \geq Minimum Connection Resistance of Inverter or Regenerative Braking Unit
- Average Regenerative Energy \leq Permissible Power for Braking Resistor

- Note:**
1. If a resistance that has a less than the minimum connectable value is connected on an inverter or regenerative braking resistor unit, the internal braking transistor can be damaged. When the required braking resistance is less than the minimum connectable resistance, change the inverter or regenerative energy braking to the one having a larger capacity and a minimum connection resistance less than the required braking resistance.
 2. Two or more regenerative braking units can be operated in parallel. Refer to the following formula to know the braking resistance value in such a case.
Braking Resistance (Ω) = (Required Braking Resistance as calculated above) \times (No. of Units in use)
 3. Do not use the above formula to select a generative braking resistance value. 150 W does not reflect a permissible power capacity, but the maximum rated power per unit of resistance. The actual permissible power varies according to a resistance.

High-function General-purpose Inverters RX2 Series

Related Manuals

Man. No.	Model	Manual
I620	3G3RX2-□□□□□	3G3RX2 Series High-function General-purpose Inverter User's Manual
I663	3G3AX-RX2-ECT	3G3RX2 Series EtherCAT® Communication Unit User's Manual
I622	3G3RX2-□□□□□ CXONE-AL□□D-V□	Inverter RX2 Series DriveProgramming User's Manual
W463	CXONE-AL□□D-V□	CX-One FA Integrated Tool Package SETUP MANUAL
W453	CXONE-AL□□D-V□ WS02-DRVC01	CX-Drive OPERATION MANUAL

Terms and Conditions Agreement

Read and understand this catalog.

Please read and understand this catalog before purchasing the products. Please consult your OMRON representative if you have any questions or comments.

Warranties.

- (a) Exclusive Warranty. Omron's exclusive warranty is that the Products will be free from defects in materials and workmanship for a period of twelve months from the date of sale by Omron (or such other period expressed in writing by Omron). Omron disclaims all other warranties, express or implied.
- (b) Limitations. OMRON MAKES NO WARRANTY OR REPRESENTATION, EXPRESS OR IMPLIED, ABOUT NON-INFRINGEMENT, MERCHANTABILITY OR FITNESS FOR A PARTICULAR PURPOSE OF THE PRODUCTS. BUYER ACKNOWLEDGES THAT IT ALONE HAS DETERMINED THAT THE PRODUCTS WILL SUITABLY MEET THE REQUIREMENTS OF THEIR INTENDED USE.

Omron further disclaims all warranties and responsibility of any type for claims or expenses based on infringement by the Products or otherwise of any intellectual property right. (c) Buyer Remedy. Omron's sole obligation hereunder shall be, at Omron's election, to (i) replace (in the form originally shipped with Buyer responsible for labor charges for removal or replacement thereof) the non-complying Product, (ii) repair the non-complying Product, or (iii) repay or credit Buyer an amount equal to the purchase price of the non-complying Product; provided that in no event shall Omron be responsible for warranty, repair, indemnity or any other claims or expenses regarding the Products unless Omron's analysis confirms that the Products were properly handled, stored, installed and maintained and not subject to contamination, abuse, misuse or inappropriate modification. Return of any Products by Buyer must be approved in writing by Omron before shipment. Omron Companies shall not be liable for the suitability or unsuitability or the results from the use of Products in combination with any electrical or electronic components, circuits, system assemblies or any other materials or substances or environments. Any advice, recommendations or information given orally or in writing, are not to be construed as an amendment or addition to the above warranty.

See <http://www.omron.com/global/> or contact your Omron representative for published information.

Limitation on Liability: Etc.

OMRON COMPANIES SHALL NOT BE LIABLE FOR SPECIAL, INDIRECT, INCIDENTAL, OR CONSEQUENTIAL DAMAGES, LOSS OF PROFITS OR PRODUCTION OR COMMERCIAL LOSS IN ANY WAY CONNECTED WITH THE PRODUCTS, WHETHER SUCH CLAIM IS BASED IN CONTRACT, WARRANTY, NEGLIGENCE OR STRICT LIABILITY.

Further, in no event shall liability of Omron Companies exceed the individual price of the Product on which liability is asserted.

Suitability of Use.

Omron Companies shall not be responsible for conformity with any standards, codes or regulations which apply to the combination of the Product in the Buyer's application or use of the Product. At Buyer's request, Omron will provide applicable third party certification documents identifying ratings and limitations of use which apply to the Product. This information by itself is not sufficient for a complete determination of the suitability of the Product in combination with the end product, machine, system, or other application or use. Buyer shall be solely responsible for determining appropriateness of the particular Product with respect to Buyer's application, product or system. Buyer shall take application responsibility in all cases.

NEVER USE THE PRODUCT FOR AN APPLICATION INVOLVING SERIOUS RISK TO LIFE OR PROPERTY OR IN LARGE QUANTITIES WITHOUT ENSURING THAT THE SYSTEM AS A WHOLE HAS BEEN DESIGNED TO ADDRESS THE RISKS, AND THAT THE OMRON PRODUCT(S) IS PROPERLY RATED AND INSTALLED FOR THE INTENDED USE WITHIN THE OVERALL EQUIPMENT OR SYSTEM.

Programmable Products.

Omron Companies shall not be responsible for the user's programming of a programmable Product, or any consequence thereof.

Performance Data.

Data presented in Omron Company websites, catalogs and other materials is provided as a guide for the user in determining suitability and does not constitute a warranty. It may represent the result of Omron's test conditions, and the user must correlate it to actual application requirements. Actual performance is subject to the Omron's Warranty and Limitations of Liability.

Change in Specifications.

Product specifications and accessories may be changed at any time based on improvements and other reasons. It is our practice to change part numbers when published ratings or features are changed, or when significant construction changes are made. However, some specifications of the Product may be changed without any notice. When in doubt, special part numbers may be assigned to fix or establish key specifications for your application. Please consult with your Omron's representative at any time to confirm actual specifications of purchased Product.

Errors and Omissions.

Information presented by Omron Companies has been checked and is believed to be accurate; however, no responsibility is assumed for clerical, typographical or proofreading errors or omissions.

Note: Do not use this document to operate the Unit.

OMRON Corporation Industrial Automation Company

Kyoto, JAPAN

Contact : www.ia.omron.com

Regional Headquarters

OMRON EUROPE B.V.

Wegalaan 67-69, 2132 JD Hoofddorp
The Netherlands
Tel: (31) 2356-81-300 Fax: (31) 2356-81-388

OMRON ELECTRONICS LLC

2895 Greenspoint Parkway, Suite 200
Hoffman Estates, IL 60169 U.S.A.
Tel: (1) 847-843-7900 Fax: (1) 847-843-7787

OMRON ASIA PACIFIC PTE. LTD.

438B Alexandra Road, #08-01/02 Alexandra
Technopark, Singapore 119968
Tel: (65) 6835-3011 Fax: (65) 6835-3011

OMRON (CHINA) CO., LTD.

Room 2211, Bank of China Tower,
200 Yin Cheng Zhong Road,
PuDong New Area, Shanghai, 200120, China
Tel: (86) 21-6023-0333 Fax: (86) 21-5037-2388

Authorized Distributor:

©OMRON Corporation 2019-2024 All Rights Reserved.
In the interest of product improvement,
specifications are subject to change without notice.

CSM_2_6

Cat. No. I921-E1-08 0224 (0319)