



ClearAccent

RS060B LED5-36-/830 PSR II WH

830 warm white - Power supply unit regulating - Safety class II - White

ClearAccent is an entry-level recessed spot range designed to replace halogen-based luminaires. Its attractive price and high lumen per watt ratio make the decision to switch to LED an easy one. The luminaire's compact design, with built-in driver, is suitable for a wide variety of applications. The dimensions of the fixation hole meet the old halogen-based standard of 68 mm, which makes retrofitting possible. Thanks to the screw-in connectors, installation is easy and safe. These spotlights are fully IC compliant.

Product data

General Information	
Light source color	830 warm white
Light source replaceable	No
Gear	-
Driver/power unit/transformer	Power supply unit regulating
Optic type	Symmetrical
Luminaire light beam spread	36°
Control interface	Analog
Connection	Screw connection block 3-pole
Cable	-
Protection class IEC	Safety class II
CE mark	CE mark
Warranty period	3 years
Constant light output	No

Operating and Electrical	
Input Voltage	220-240 V
Input Frequency	50 to 60 Hz
Power Factor (Min)	0.9
Controls and Dimming	
Dimmable	Yes
Mechanical and Housing	
Housing Material	Aluminum die cast
Reflector material	Polycarbonate aluminum coated
Optic material	Polycarbonate
Optical cover/lens material	Polycarbonate
Fixation material	-
Optical cover/lens finish	Clear
Overall length	55 mm

Overall width	55 mm
Overall height	55 mm
Overall diameter	75 mm
Color	White
Dimensions (Height x Width x Depth)	55 x 55 x 55 mm (2.2 x 2.2 x 2.2 in)

Approval and Application

Ingress protection code	IP20 [Finger-protected]
Mech. impact protection code	IK02 [0.2 J standard]

Initial Performance (IEC Compliant)

Initial luminous flux (system flux)	500 lm
Luminous flux tolerance	+/-10%
Initial LED luminaire efficacy	83 lm/W
Init. Corr. Color Temperature	3000 K
Init. Color Rendering Index	≥80
Initial chromaticity	(0.43, 0.40) SDCM <3
Initial input power	6 W

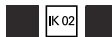
Power consumption tolerance	+/-10%
-----------------------------	--------

Application Conditions

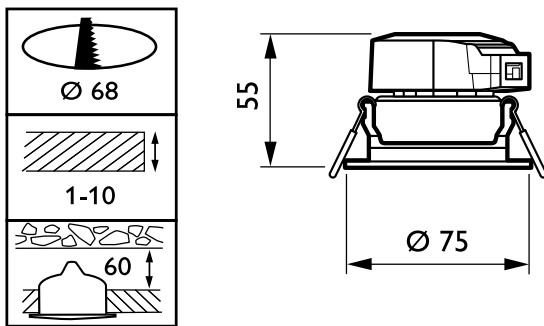
Ambient temperature range	0 to +40 °C
---------------------------	-------------

Product Data

Full product code	871869607267799
Order product name	RS060B LED5-36-/830 PSR II WH
EAN/UPC - Product	8718696072677
Order code	910503910182
Numerator - Quantity Per Pack	1
Numerator - Packs per outer box	24
Material Nr. (12NC)	910503910182
Net Weight (Piece)	0.100 kg

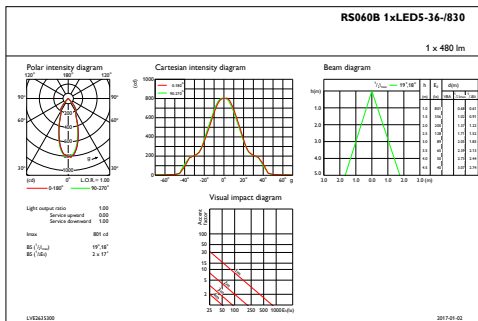


Dimensional drawing

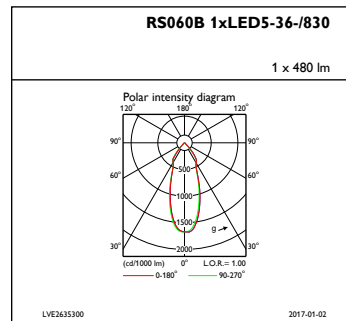


RS060B LED5-36-/830 PSR II WH

Photometric data



IFAS1_RS060B1xLED5-36-830



IFPC1_RS060B1xLED5-36-830

